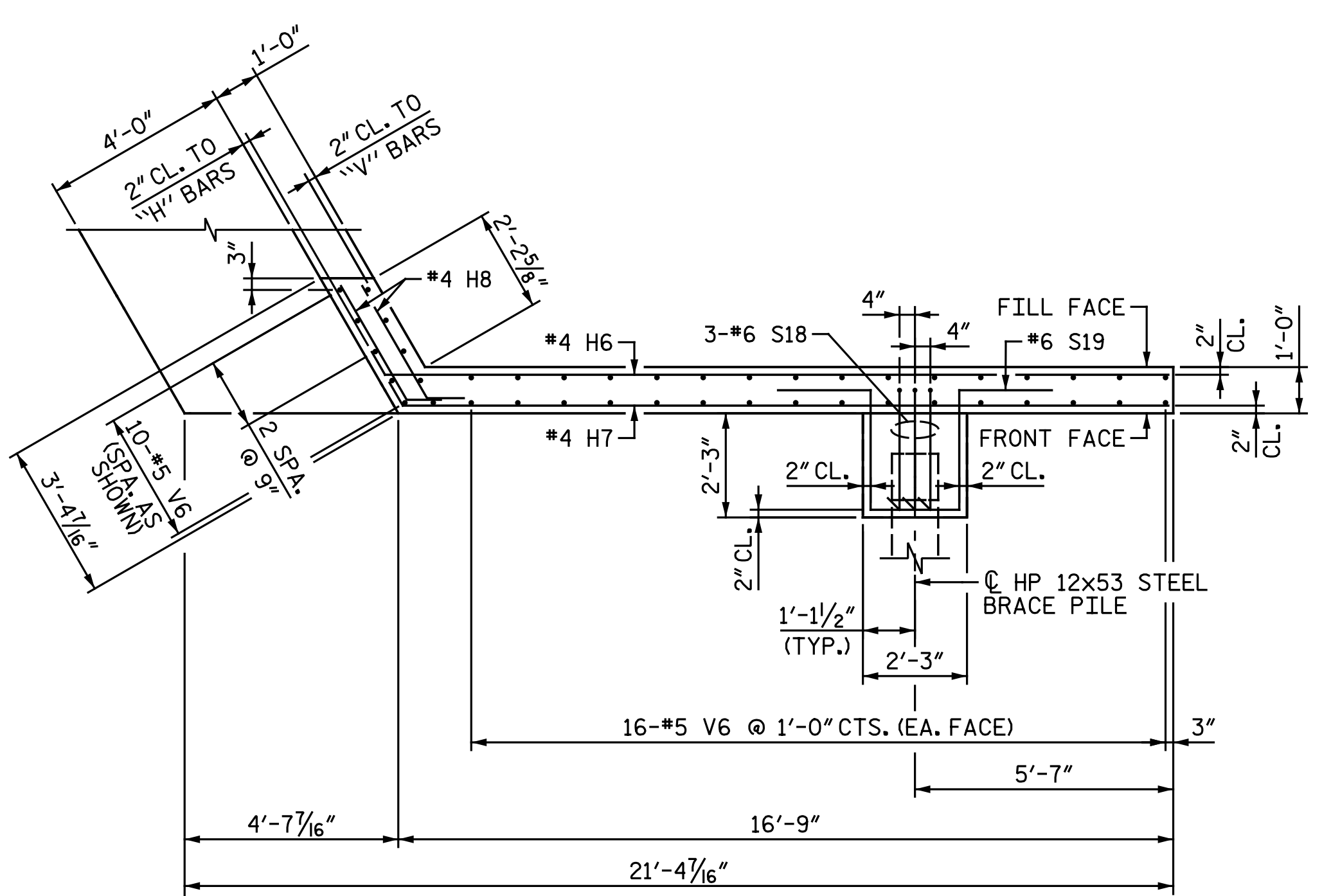
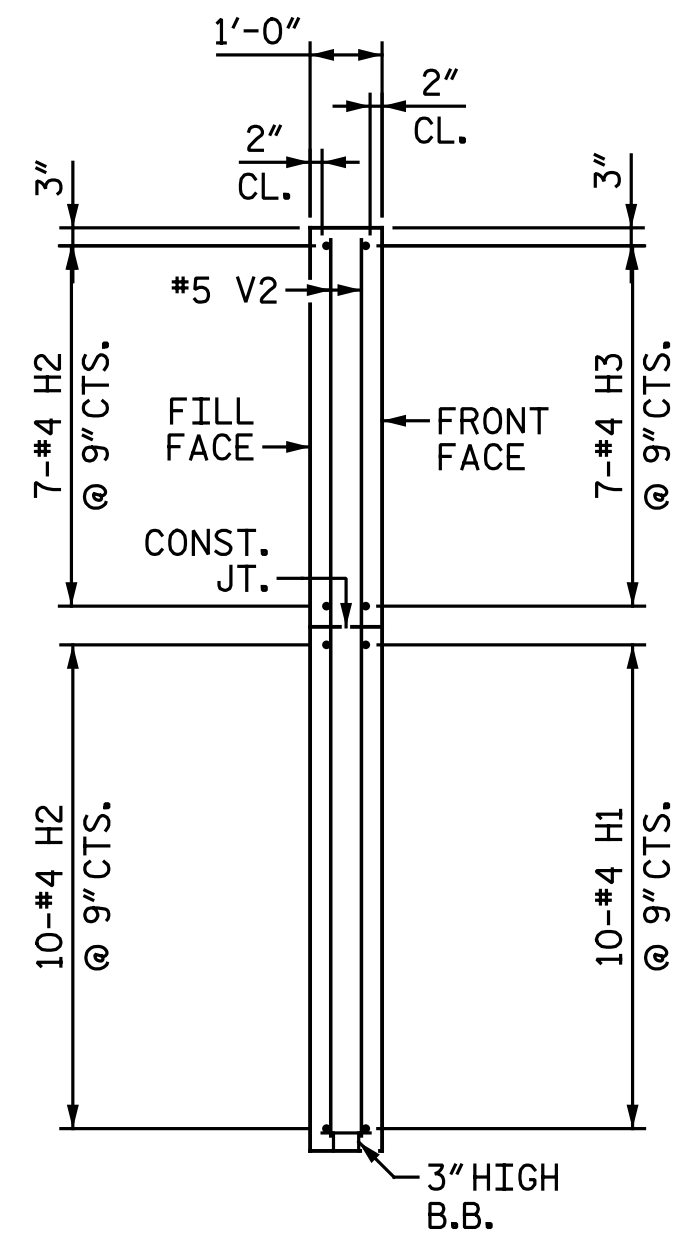


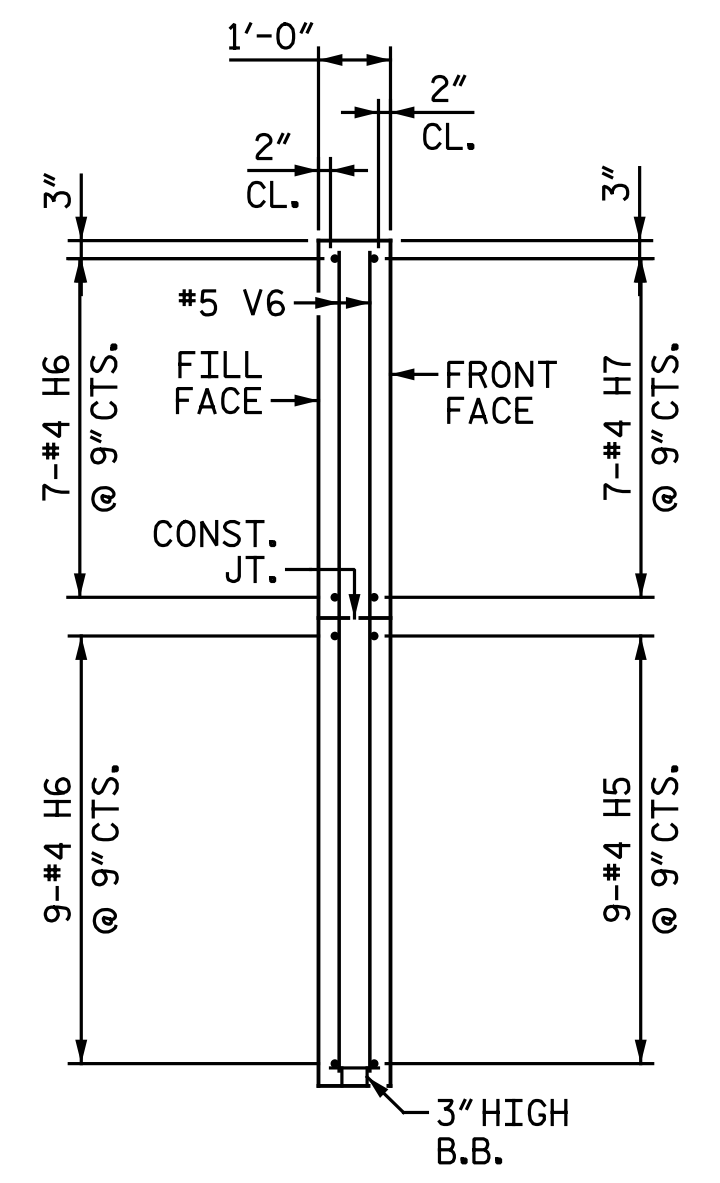
PLAN OF LEFT WING
STAGE I
(H1 & V3 BARS NOT SHOWN FOR CLARITY)
(BLOCKOUT NOT SHOWN FOR CLARITY)



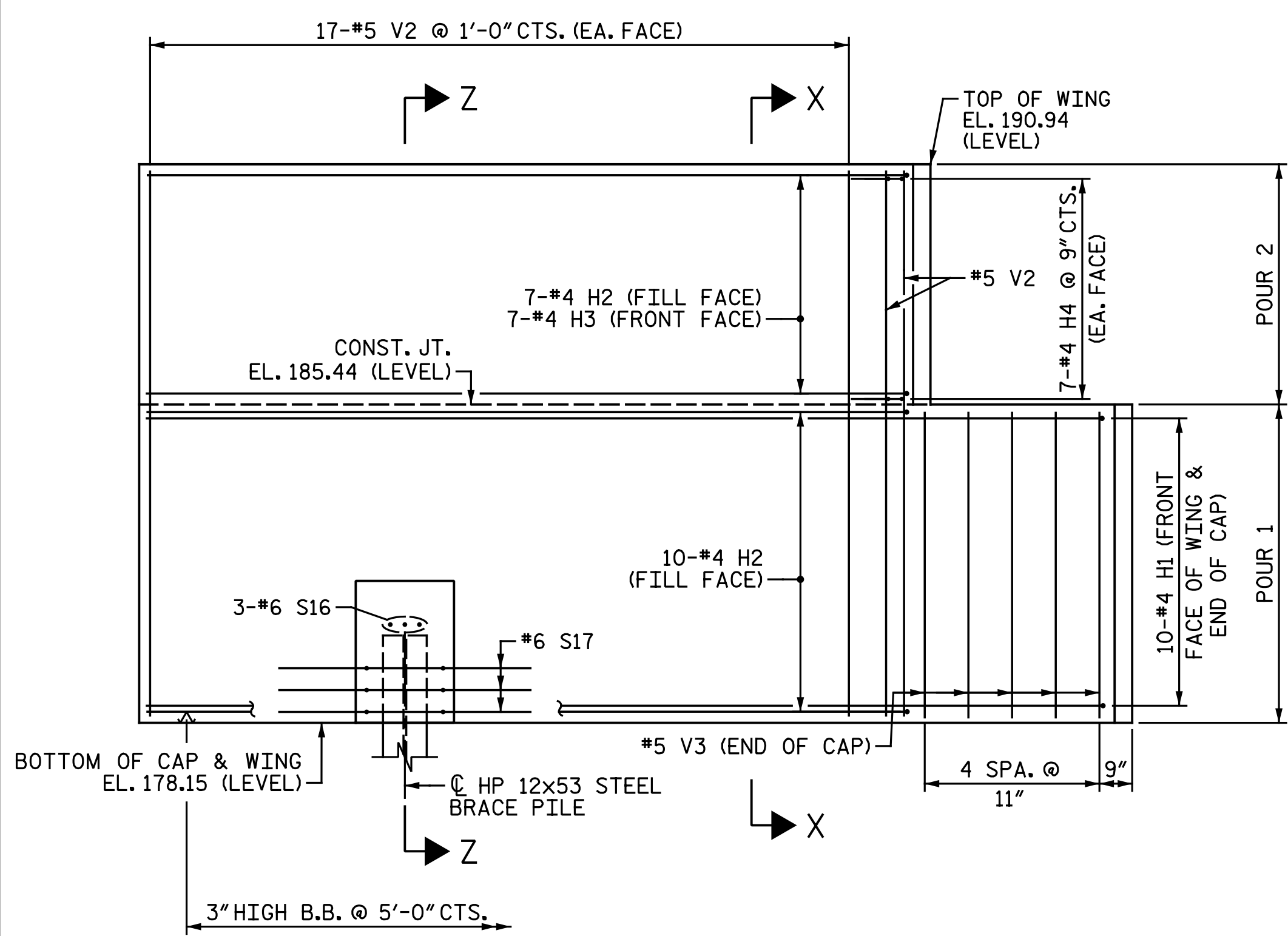
PLAN OF RIGHT WING
STAGE II
(H5 & V7 BARS NOT SHOWN FOR CLARITY)
(BLOCKOUT NOT SHOWN FOR CLARITY)



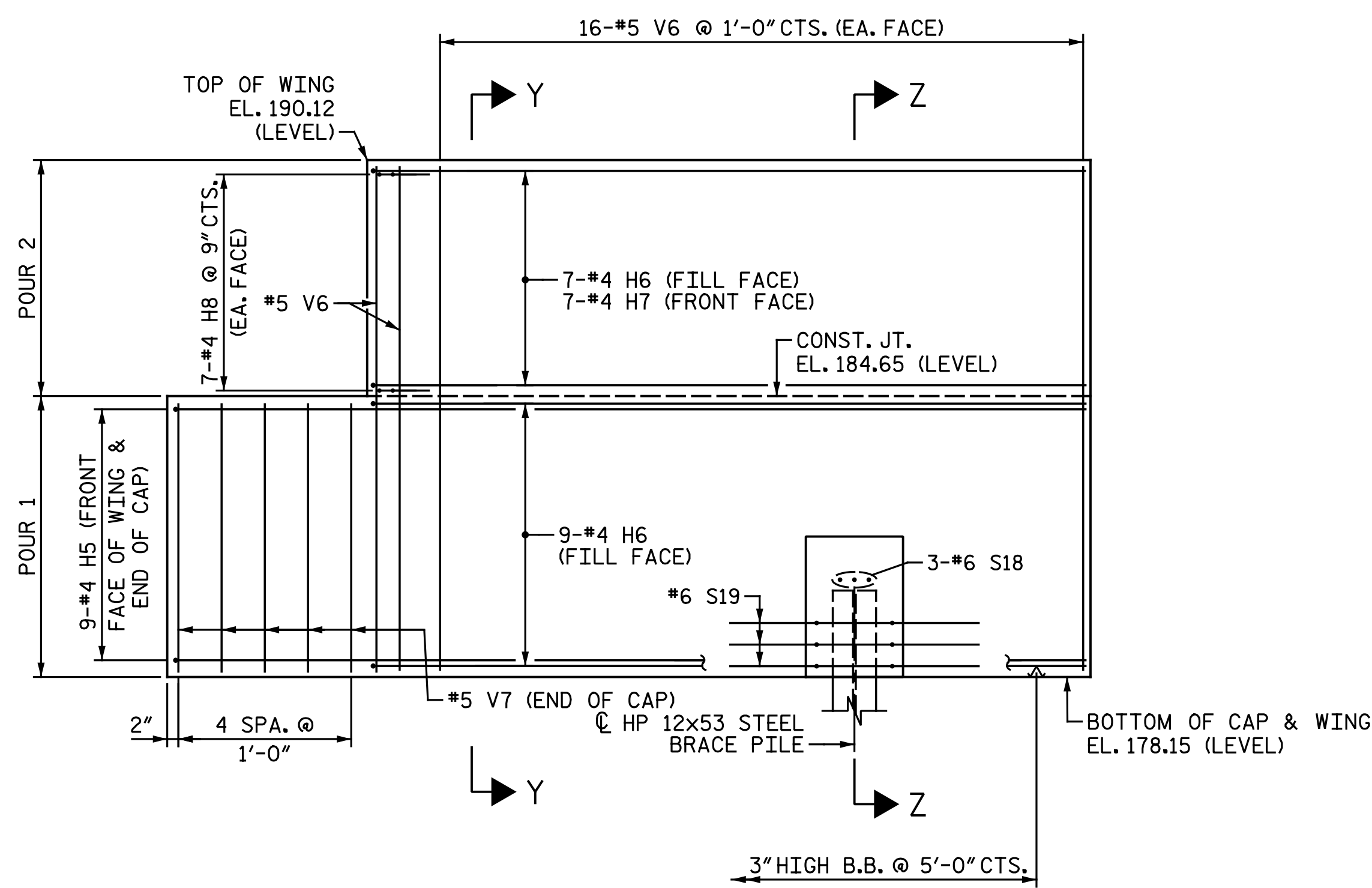
SECTION X-X



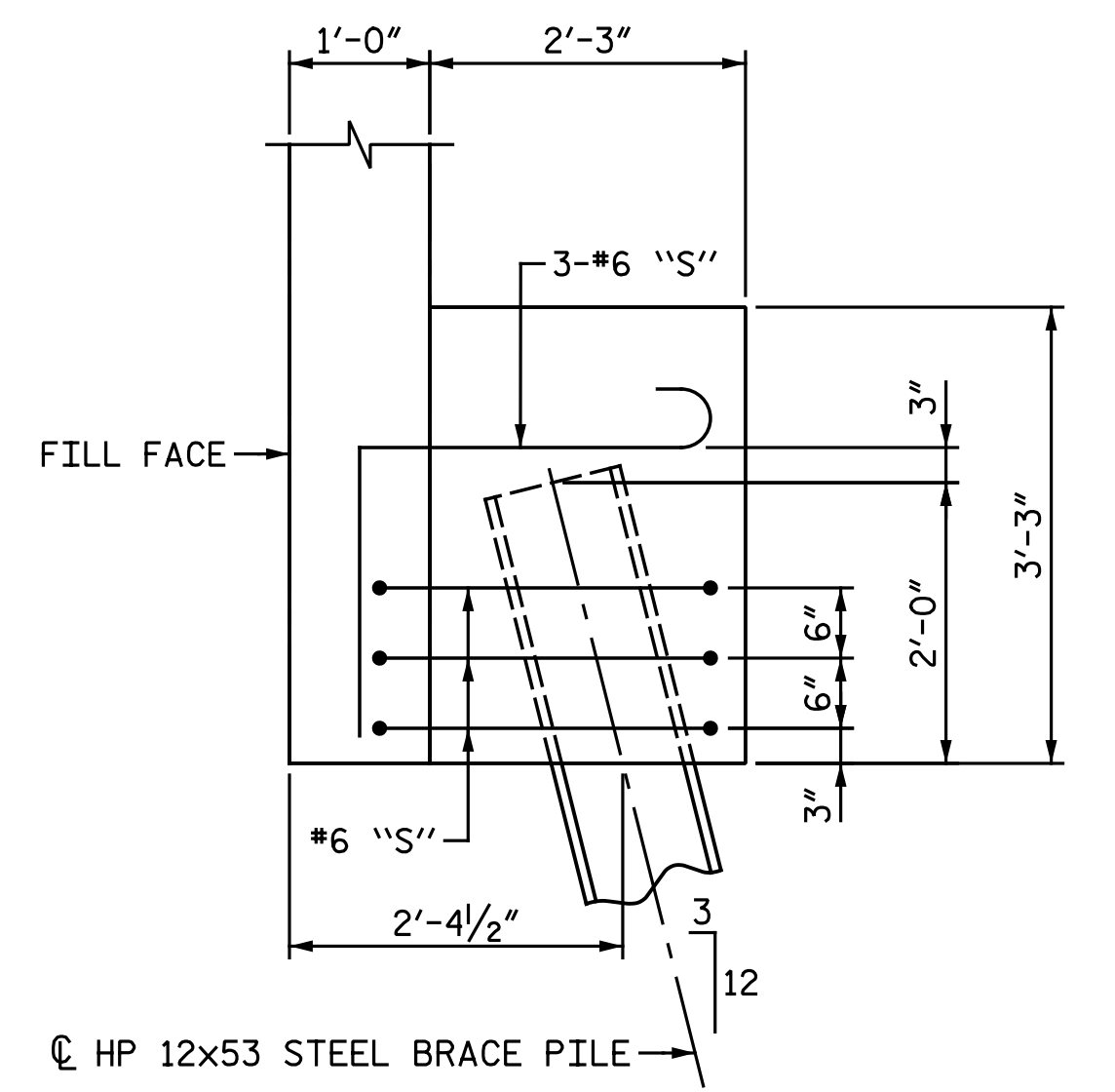
SECTION Y-Y



ELEVATION OF LEFT WING
STAGE I

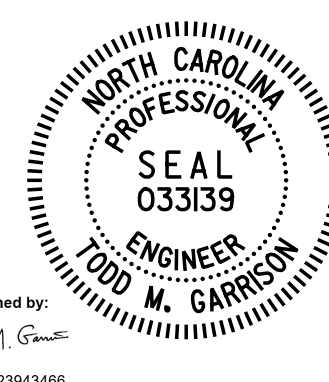


ELEVATION OF RIGHT WING
STAGE II



SECTION Z-Z

PROJECT NO. I-5986B
JOHNSTON COUNTY
STATION: 1391+19.65 -L-
SHEET 4 OF 5



DOCUMENT NOT CONSIDERED FINAL
UNLESS ALL SIGNATURES COMPLETED

| NO. | BY: | DATE: | REVISIONS | | | SHEET NO. |
|-----|-----|-------|-----------|-----|-------|-----------------------------|
| | | | NO. | BY: | DATE: | |
| 1 | | | 3 | | | S3-38 TOTAL SHEETS 44 |
| 2 | | | 4 | | | |

DRAWN BY : M. D. MAYHEW DATE : 2-26-20
CHECKED BY : J. M. GARRISON DATE : 3-5-20

Michael Baker International
Michael Baker Engineering
8000 Regency Parkway, Suite 600
Cary, North Carolina 27518
NC License No. : F-1084