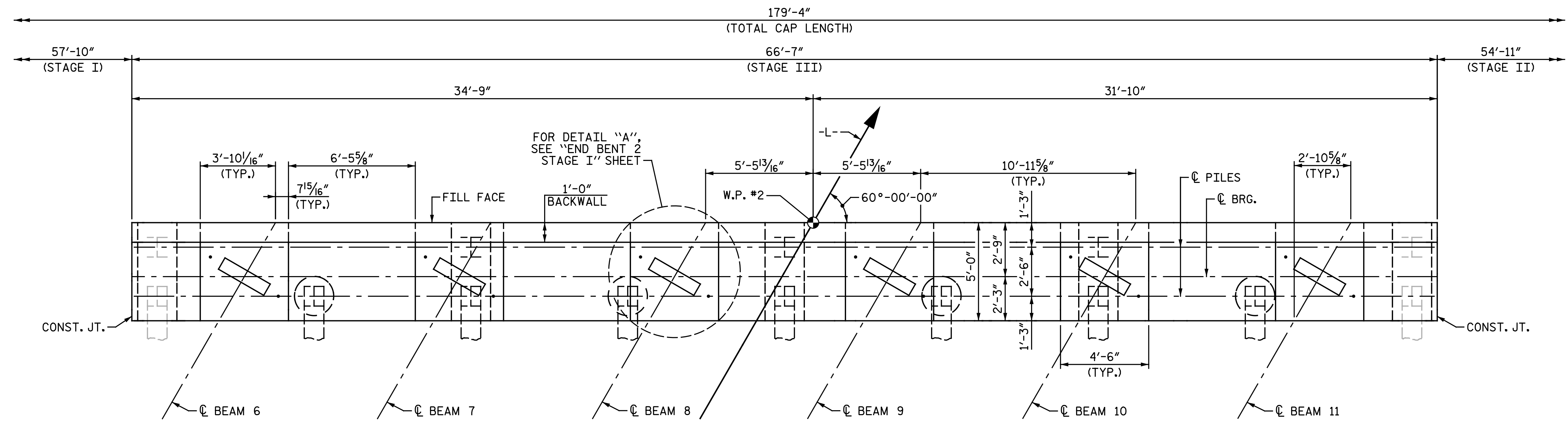
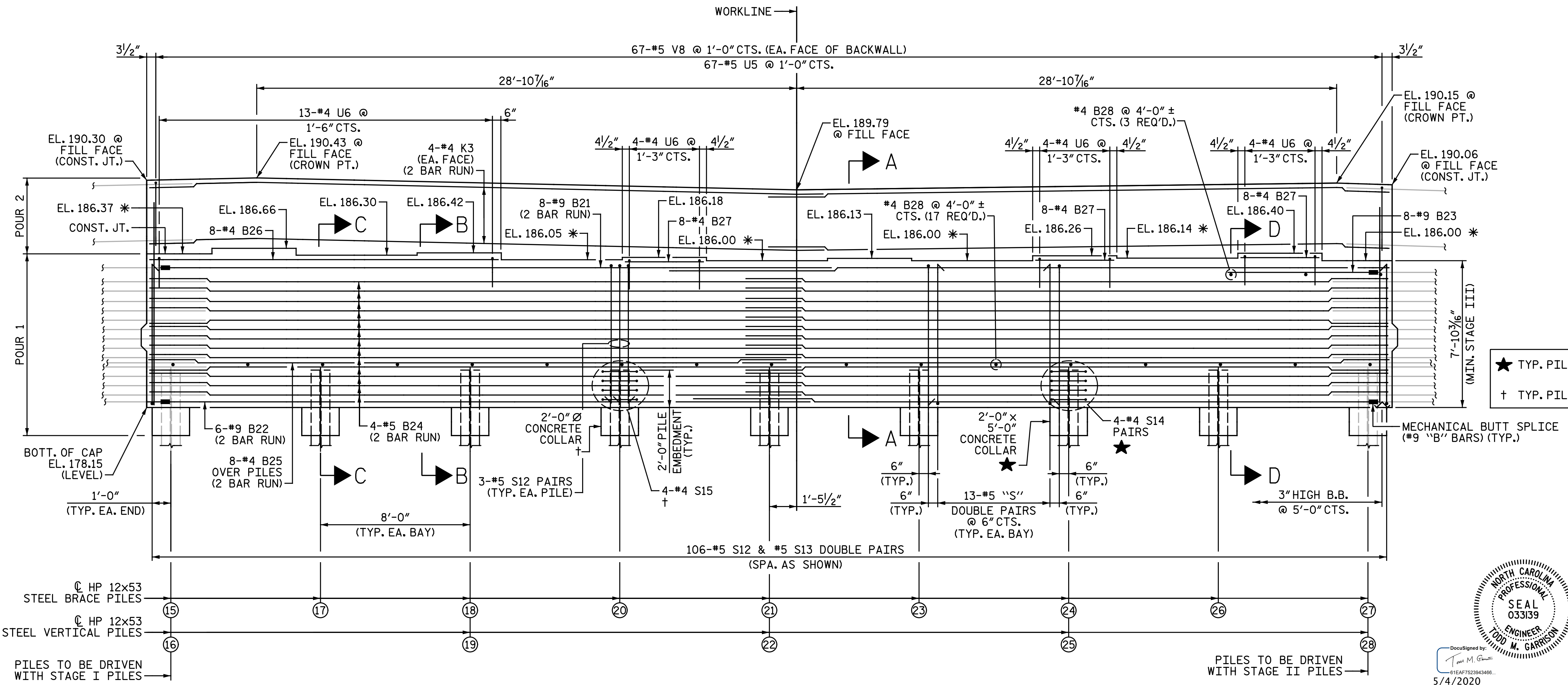


NOTES:
FOR NOTES, SEE "END BENT 2 STAGE I" SHEET.



PLAN - STAGE III



ELEVATION - STAGE III

* FOR LOCATION OF ELEVATIONS BETWEEN BRIDGE SEAT BUILD-UPS, SEE "END BENT 2 DETAILS" SHEET.

SPlice LENGTHS	
BAR SIZE	UNCOATED
#4	2'-5"
#5	3'-0"
#9 B21	8'-9"
#9 B22	6'-3"

★ TYP. PILES 15&16, 18&19, 21&22, 24&25, 27&28
† TYP. PILES 17, 20, 23, 26

PROJECT NO. I-5986B
JOHNSTON COUNTY
STATION: 1391+19.65 -L-
SHEET 3 OF 5



STATE OF NORTH CAROLINA
DEPARTMENT OF TRANSPORTATION
RALEIGH
SUBSTRUCTURE
END BENT 2
STAGE III

DOCUMENT NOT CONSIDERED FINAL
UNLESS ALL SIGNATURES COMPLETED

NO.	REVISIONS			SHEET NO.
	BY:	DATE:	DATE:	
1				S3-37
2				

DRAWN BY : C. E. MAYHEW DATE : 2-28-20
CHECKED BY : J. M. GARRISON DATE : 3-4-20

Michael Baker International
Michael Baker Engineering
8000 Regency Parkway, Suite 600
Cary, North Carolina 27518
NC License No.: F-1084