

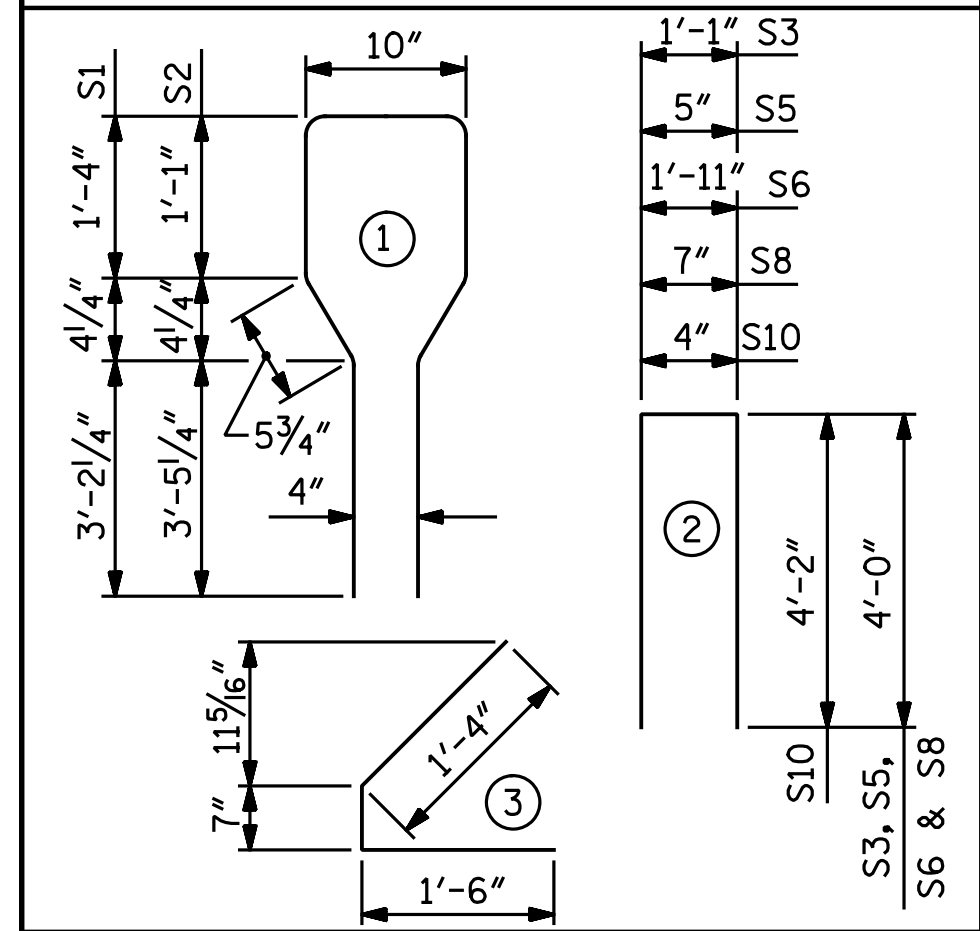
0.6" Ø L. R. GRADE 270 STRANDS		
AREA (SQUARE INCHES)	ULTIMATE STRENGTH (LBS. PER STRAND)	APPLIED PRESTRESS (LBS. PER STRAND)
0.217	58,600	43,950

REINFORCING STEEL FOR ONE GIRDER					
BAR	NUMBER	SIZE	TYPE	LENGTH	WEIGHT
EXTERIOR GDR.	S1	74	#4	10'-10"	536
INTERIOR GDR.	S1	74	#4	10'-10"	536
	S2	18	#6	10'-10"	293
	S3	4	#4	2	24
	S4	72	#4	3	164
	S5	6	#4	2	34
	S6	1	#4	2	7
	*S7	6	#5	STR	23
	S8	4	#4	2	23
	S9	1	#3	STR	1
EXTERIOR GDR.	S10	2	#5	2	18
INTERIOR GDR.	S10	4	#5	2	36
EXTERIOR GDR.	S11	5	#4	STR	23
INTERIOR GDR.	S12	5	#4	STR	41

\* NOTE: S7 BARS SHALL BE BENT BEFORE SHIPMENT. HEAT BENDING SHALL NOT BE ALLOWED.

**BAR TYPES**

ALL BAR DIMENSIONS ARE OUT-TO-OUT



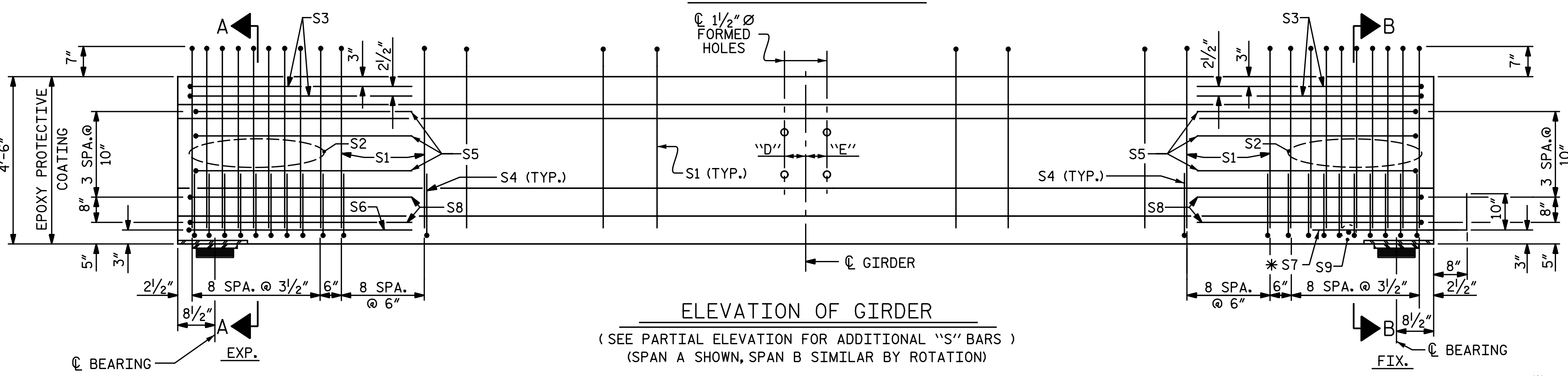
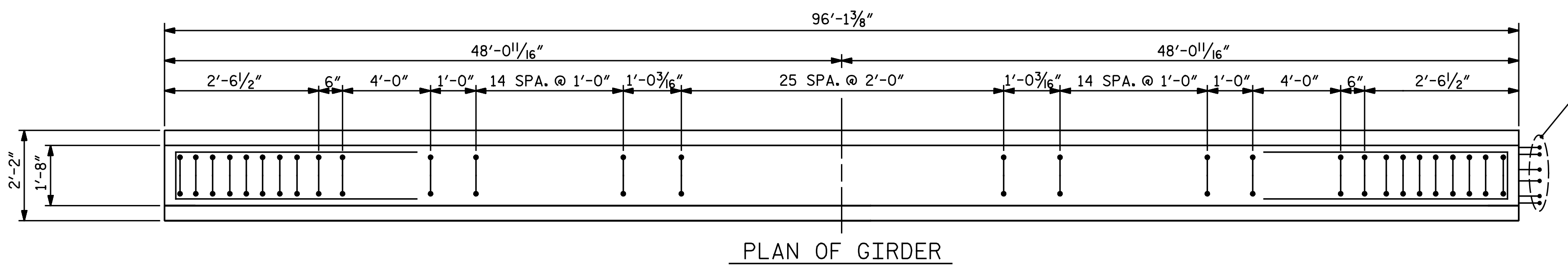
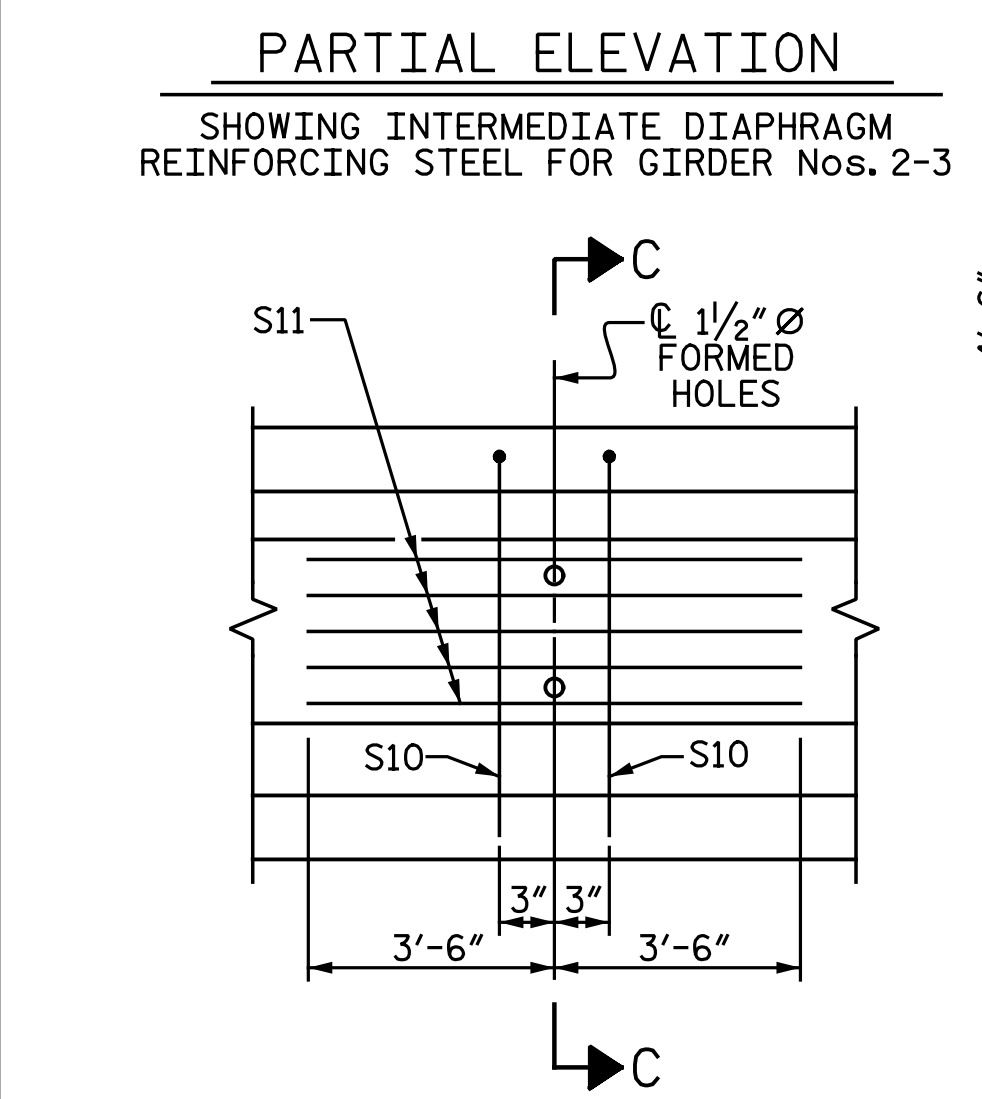
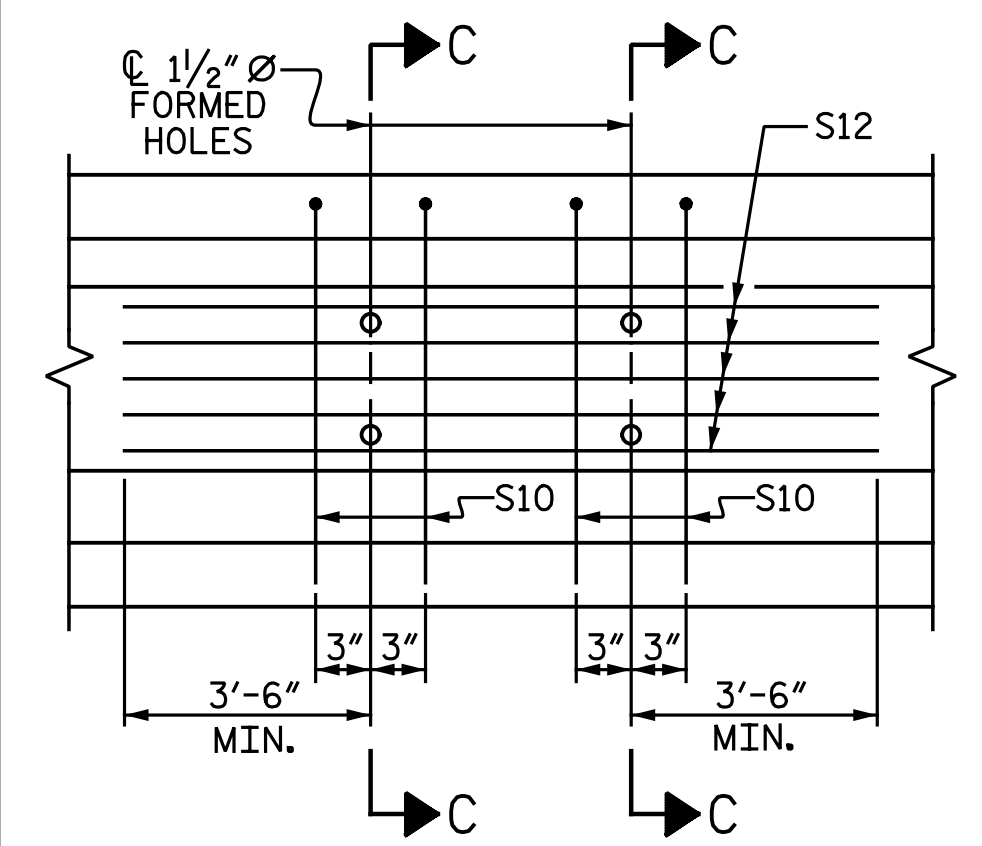
**QUANTITIES FOR ONE GIRDER**

	REINFORCING STEEL LB.	8,500 PSI CONCRETE C.Y.	0.6" Ø L. R. STRANDS No.
EXTERIOR GIRDER	1,146	19.5	38
INTERIOR GIRDER	1,182	19.5	38

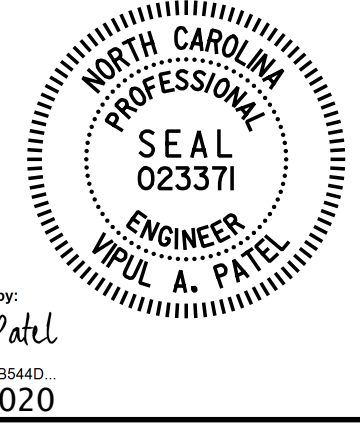
**GIRDERS REQUIRED**

SPAN	NUMBER	LENGTH	TOTAL LENGTH
A	4	96.12'	384.46'
B	4	96.12'	384.46'
TOTAL	8	96.12'	768.92'

PROJECT NO. I-5986B  
JOHNSTON COUNTY  
 STATION: 28+39.21 -Y29-



FORMED HOLE LOCATIONS		
GIRDER	"D"	"E"
A1 OR B1	N/A	2'-8 1/8"
A2 OR B2	2'-8 1/8"	2'-8 1/8"
A3 OR B3	2'-8 1/8"	2'-8 1/8"
A4 OR B4	2'-8 1/8"	N/A



DOCUMENT NOT CONSIDERED FINAL  
UNLESS ALL SIGNATURES COMPLETED



STATE OF NORTH CAROLINA  
 DEPARTMENT OF TRANSPORTATION  
 RALEIGH  
 STANDARD  
 AASHTO TYPE IV  
 PRESTRESSED CONCRETE GIRDER  
 CONTINUOUS FOR LIVE LOAD

**SPANS A & B**

REVISIONS					SHEET NO.
NO.	BY:	DATE:	NO.	BY:	DATE:
1			3		
2			4		

ASSEMBLED BY : N.B. SPEAKS	DATE : 6-26-19
CHECKED BY : V.A. PATEL	DATE : 7-31-19
DRAWN BY : ELR 8/91	REV. 10/1/11 MAA/GM
CHECKED BY : GRP 8/91	REV. 1/15 MAA/TMG
	REV. 12/17 MAA/THC