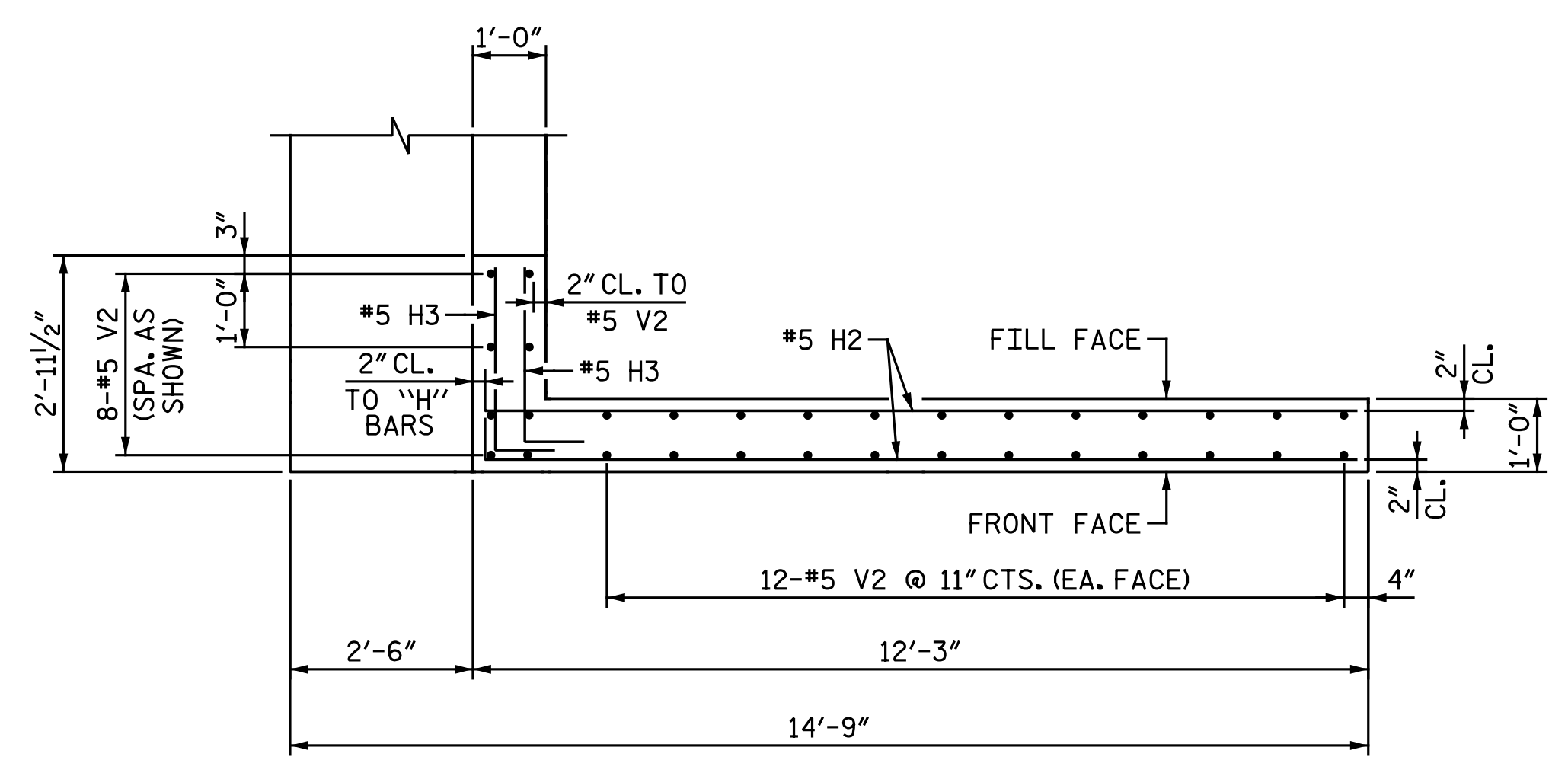
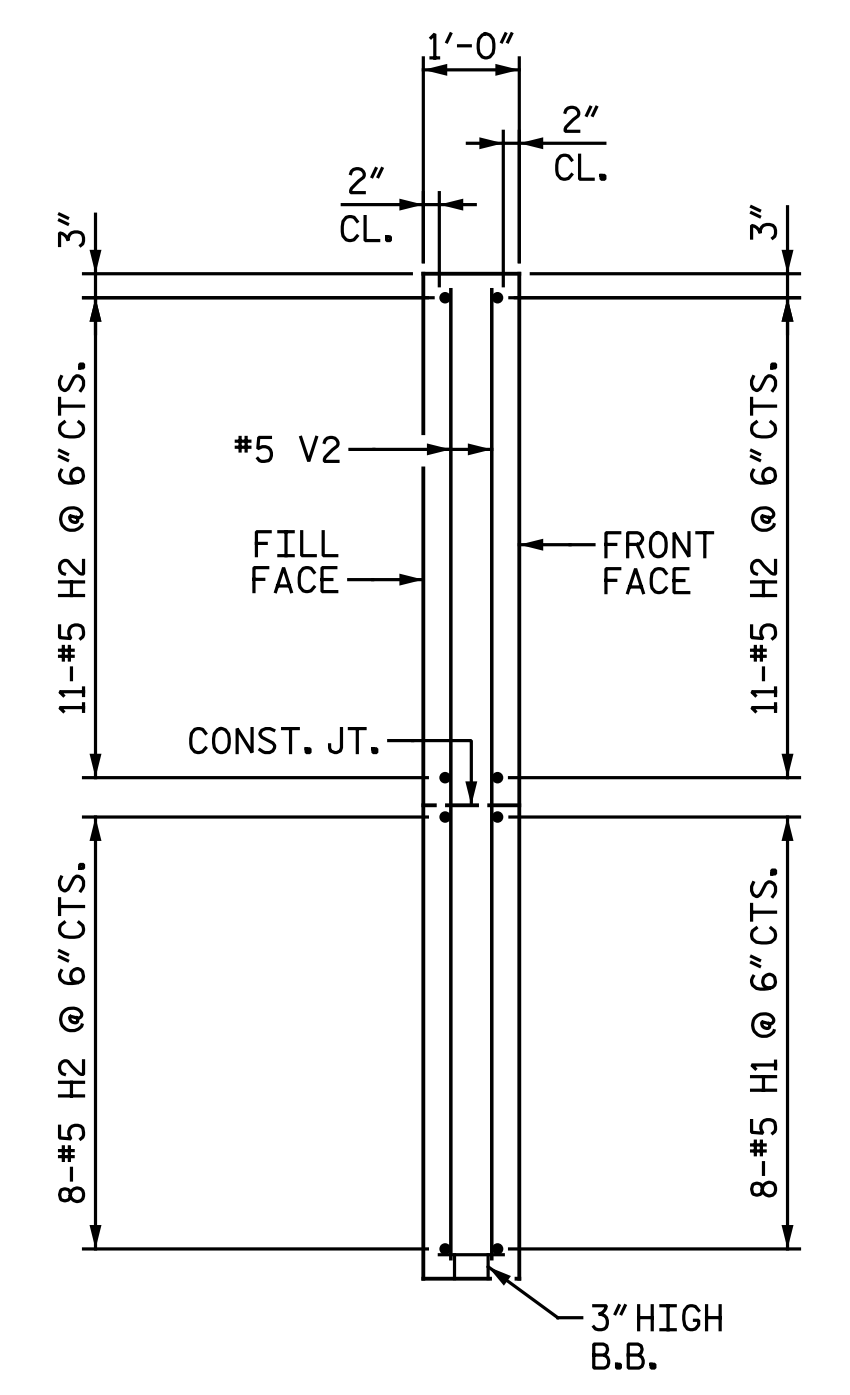


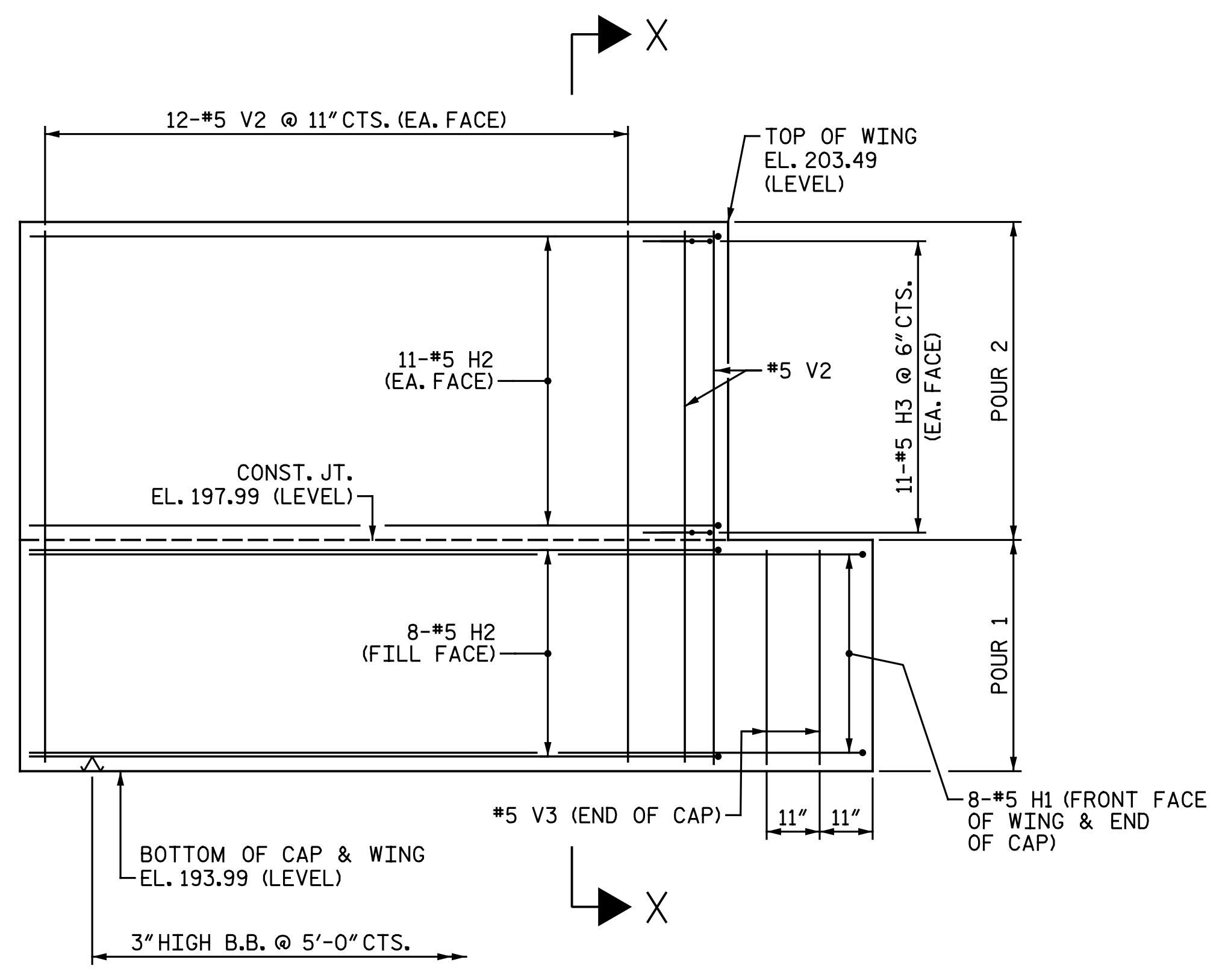
**PLAN OF LEFT WING**  
 STAGE I (LEFT SIDE)  
 (H1 & V3 BARS NOT SHOWN FOR CLARITY)  
 (BLOCKOUT NOT SHOWN FOR CLARITY)



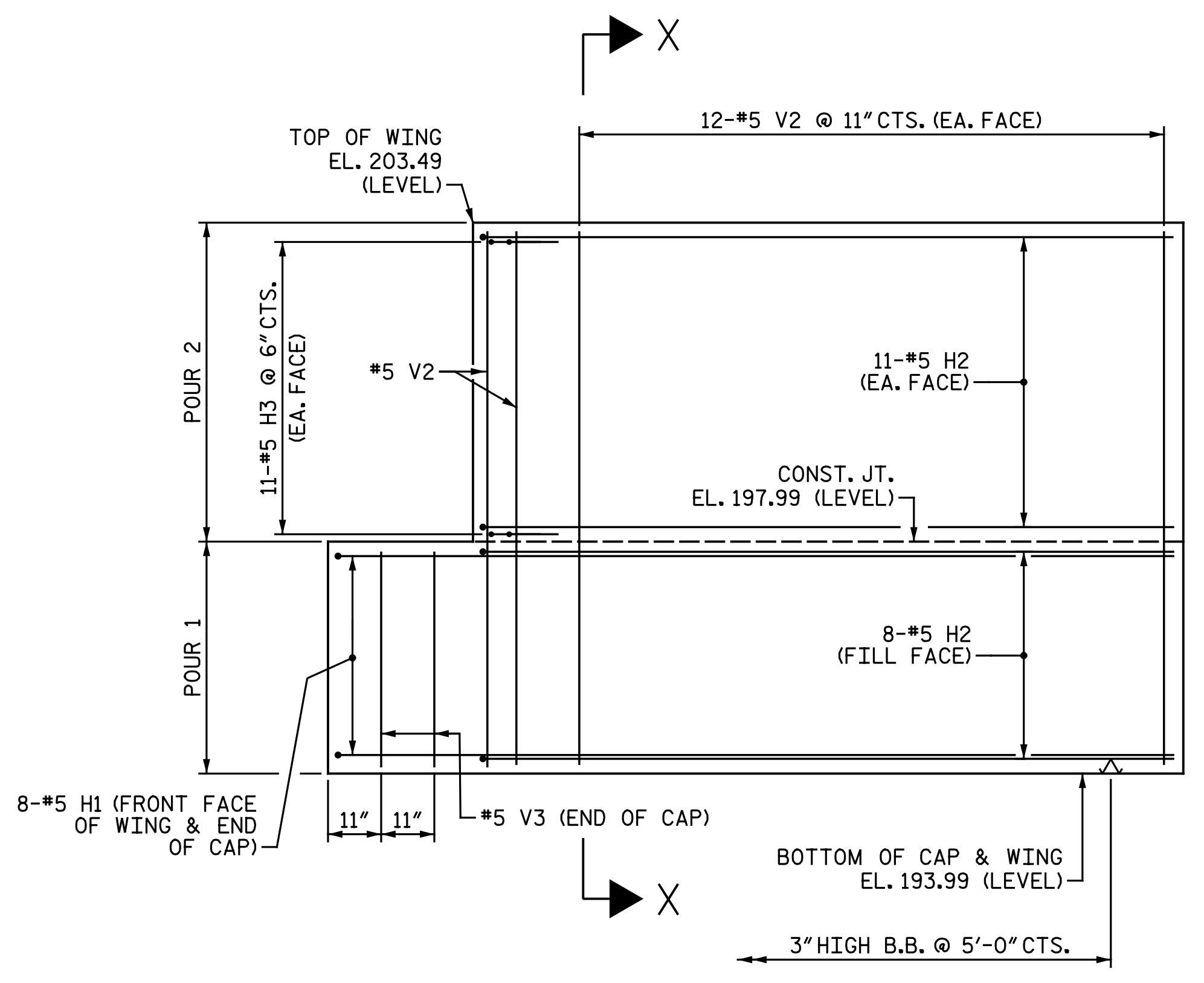
**PLAN OF RIGHT WING**  
 STAGE I (RIGHT SIDE)  
 (H1 & V3 BARS NOT SHOWN FOR CLARITY)  
 (BLOCKOUT NOT SHOWN FOR CLARITY)



**SECTION X-X**

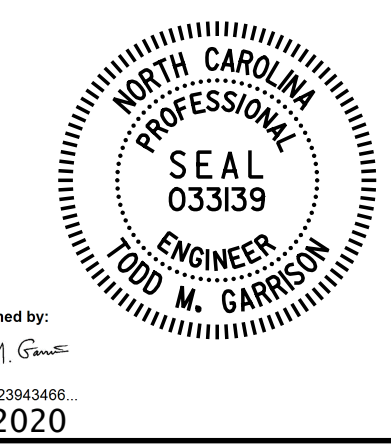


**ELEVATION OF LEFT WING**  
 STAGE I (LEFT SIDE)



**ELEVATION OF RIGHT WING**  
 STAGE I (RIGHT SIDE)

PROJECT NO. I-5986B  
JOHNSTON COUNTY  
 STATION: 1260+34.00 -L-  
 SHEET 4 OF 5



STATE OF NORTH CAROLINA  
 DEPARTMENT OF TRANSPORTATION  
 RALEIGH  
 SUBSTRUCTURE  
 END BENT 2  
 WING DETAILS

DOCUMENT NOT CONSIDERED FINAL  
 UNLESS ALL SIGNATURES COMPLETED

REVISIONS						SHEET NO.
NO.	BY:	DATE:	NO.	BY:	DATE:	SI-51
1			3			TOTAL SHEETS
2			4			57

DRAWN BY : C. E. MAYHEW DATE : 8-13-19  
 CHECKED BY : J. M. GARRISON DATE : 8-16-19

**Michael Baker INTERNATIONAL**  
 Michael Baker Engineering  
 8000 Regency Parkway, Suite 600  
 Cary, North Carolina 27518  
 NC License No. : F-1084