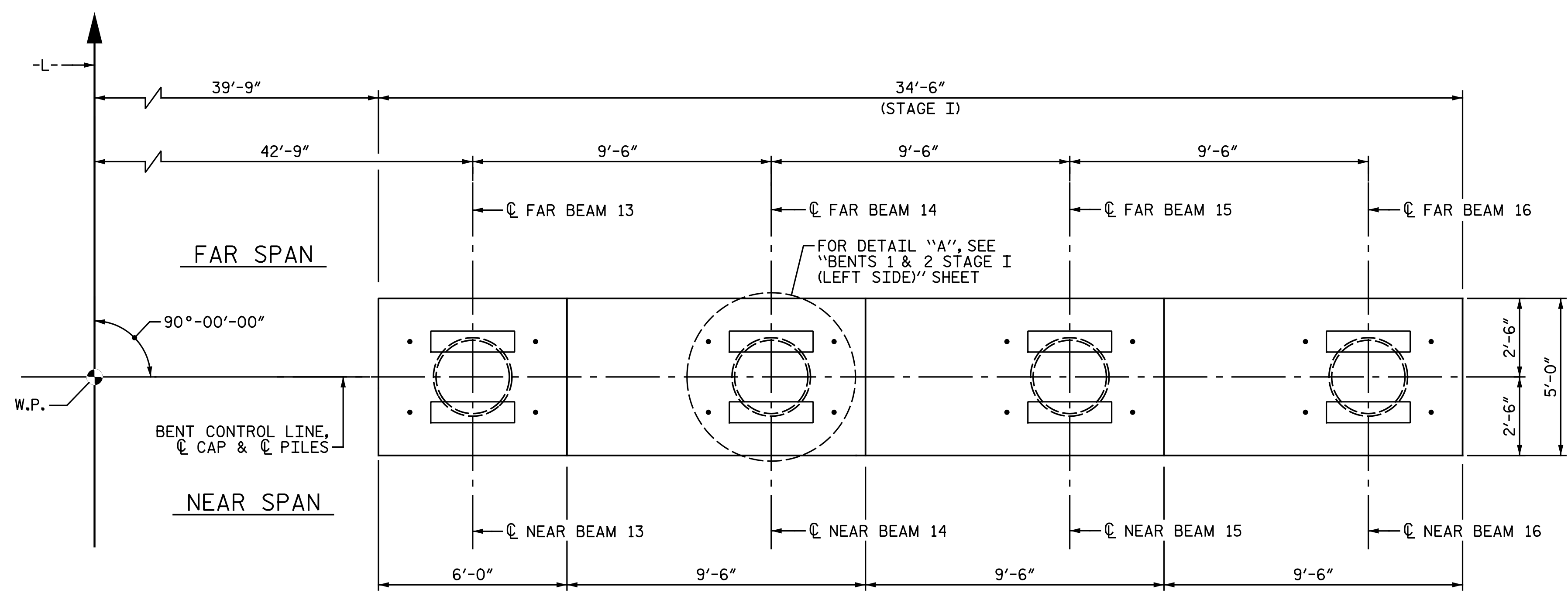


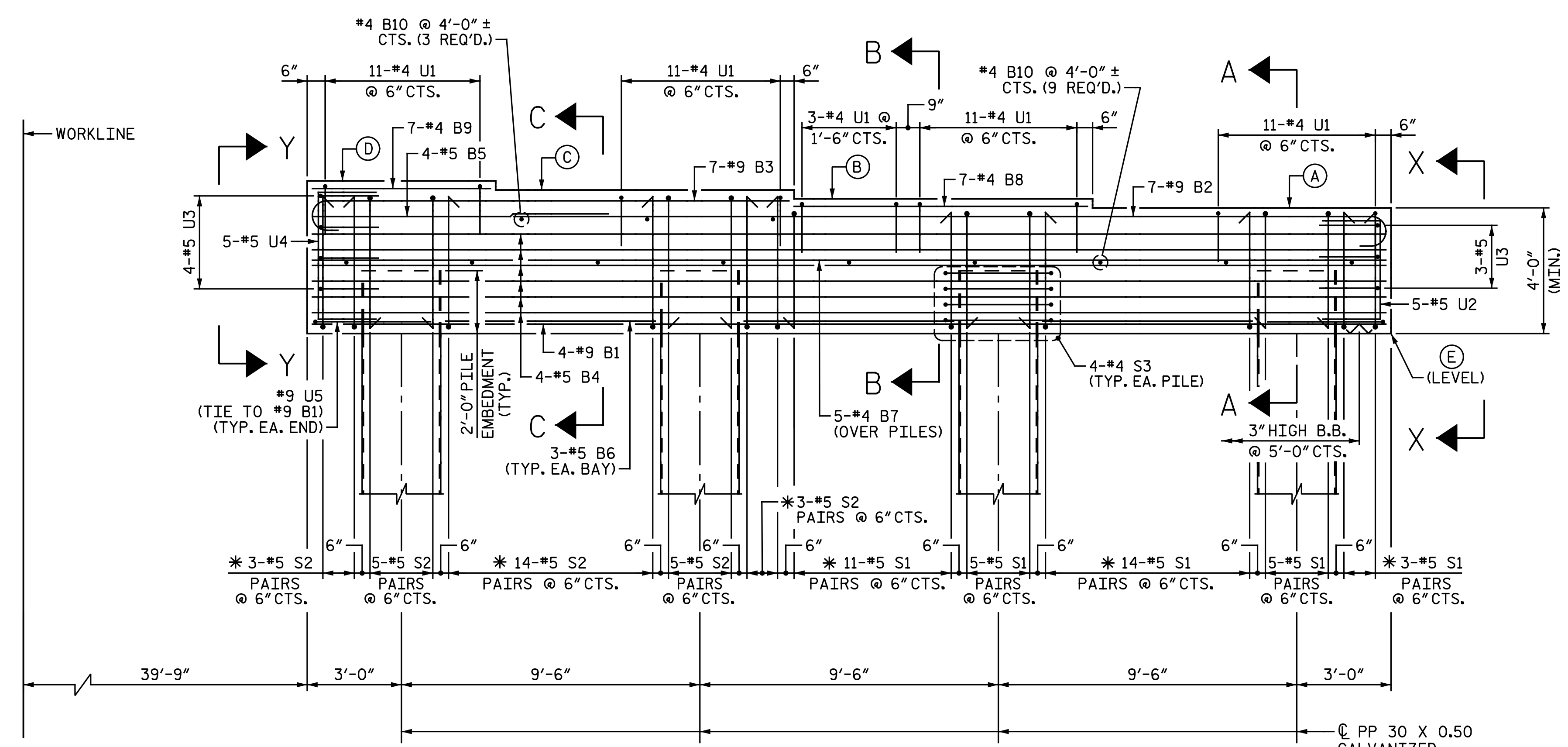
NOTES:
 FOR ADDITIONAL NOTES, SEE "BENTS 1 & 2 STAGE I (LEFT SIDE)" SHEET.



BENT	W.P.	NEAR SPAN	FAR SPAN
1	#2	A	B
2	#3	B	C

PLAN - STAGE I (RIGHT SIDE)

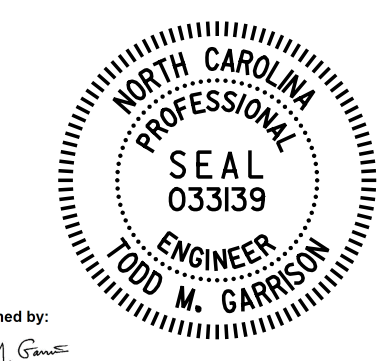
BENT CAP ELEVATIONS					
BENT	(A)	(B)	(C)	(D)	(E)
1	198.64	198.93	199.21	199.50	194.64
2	198.33	198.61	198.90	199.18	194.33



ELEVATION - STAGE I (RIGHT SIDE)

* INVERT ALTERNATE STIRRUPS

PROJECT NO. I-5986B
JOHNSTON COUNTY
 STATION: 1260+34.00 -L-
 SHEET 2 OF 4



DocuSigned by:
 Todd M. Garrison
 0104703304306E
 4/9/2020

DOCUMENT NOT CONSIDERED FINAL
 UNLESS ALL SIGNATURES COMPLETED

REVISIONS						SHEET NO.
NO.	BY:	DATE:	NO.	BY:	DATE:	SI-44
1			3			TOTAL SHEETS
2			4			57

DRAWN BY : C. E. MAYHEW DATE : 2-3-20
 CHECKED BY : J. M. GARRISON DATE : 2-5-20

Michael Baker INTERNATIONAL
 Michael Baker Engineering
 8000 Regency Parkway, Suite 600
 Cary, North Carolina 27518
 NC License No.: F-1084

STATE OF NORTH CAROLINA
 DEPARTMENT OF TRANSPORTATION
 RALEIGH
 SUBSTRUCTURE
 BENTS 1 & 2
 STAGE I
 (RIGHT SIDE)