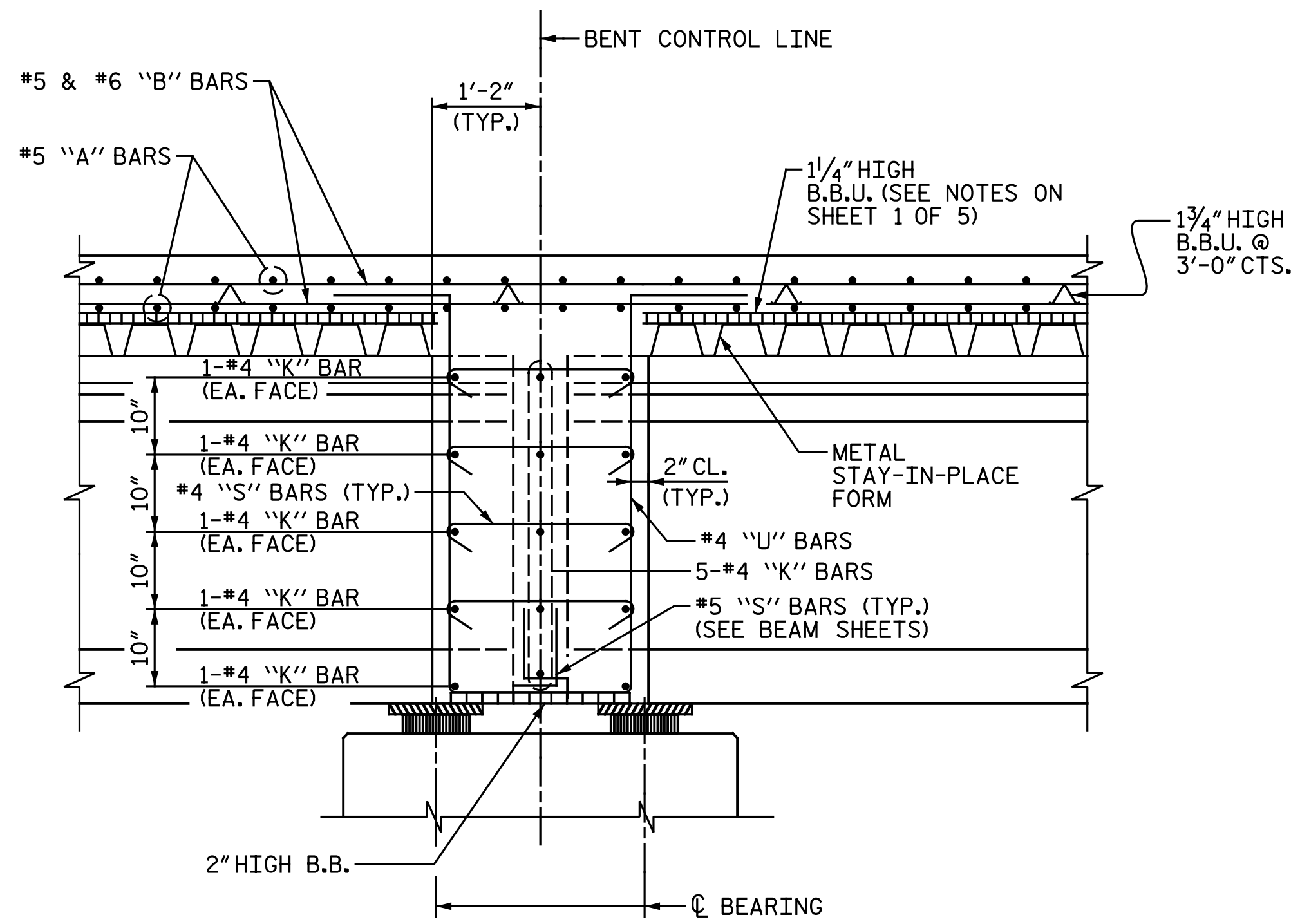
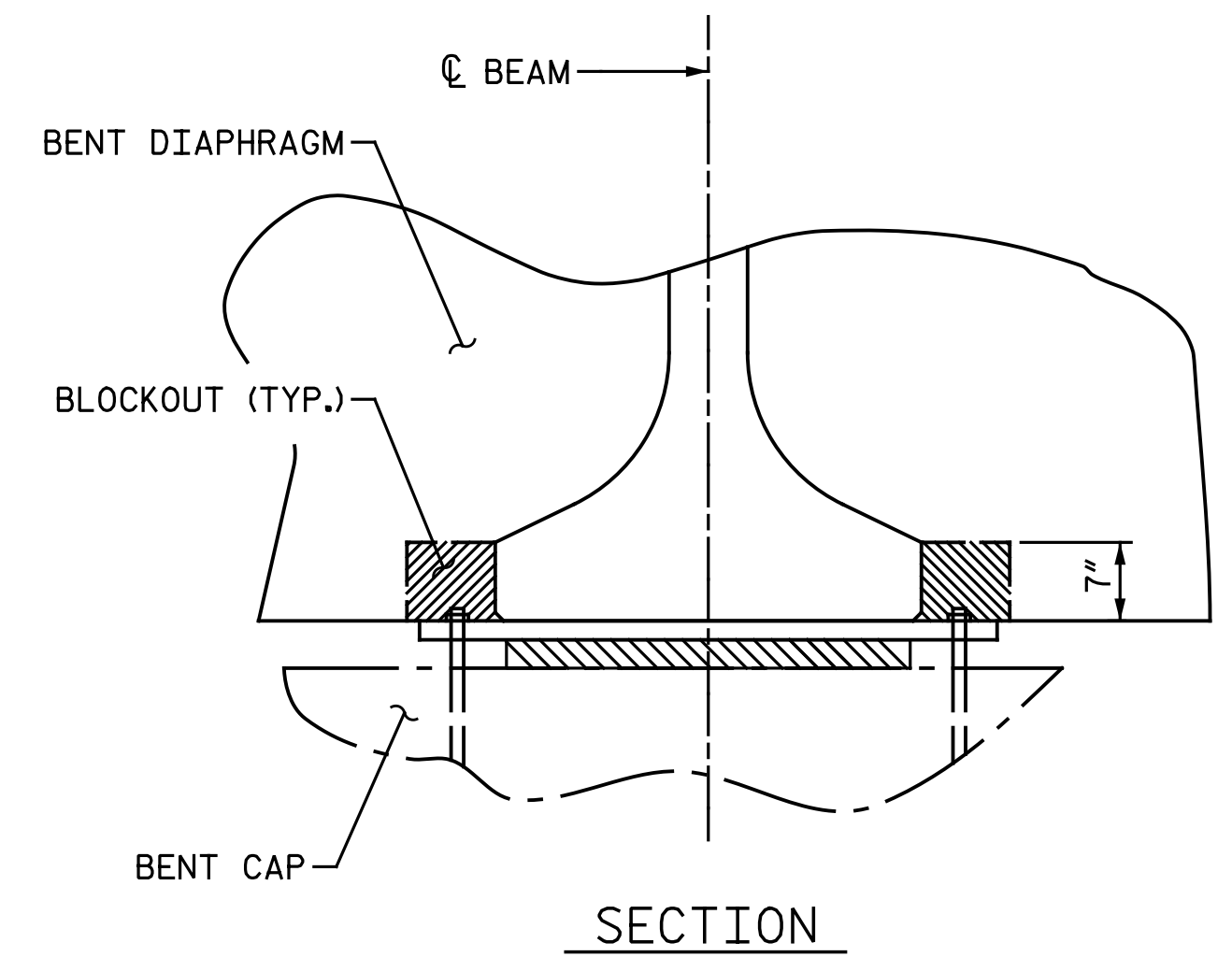


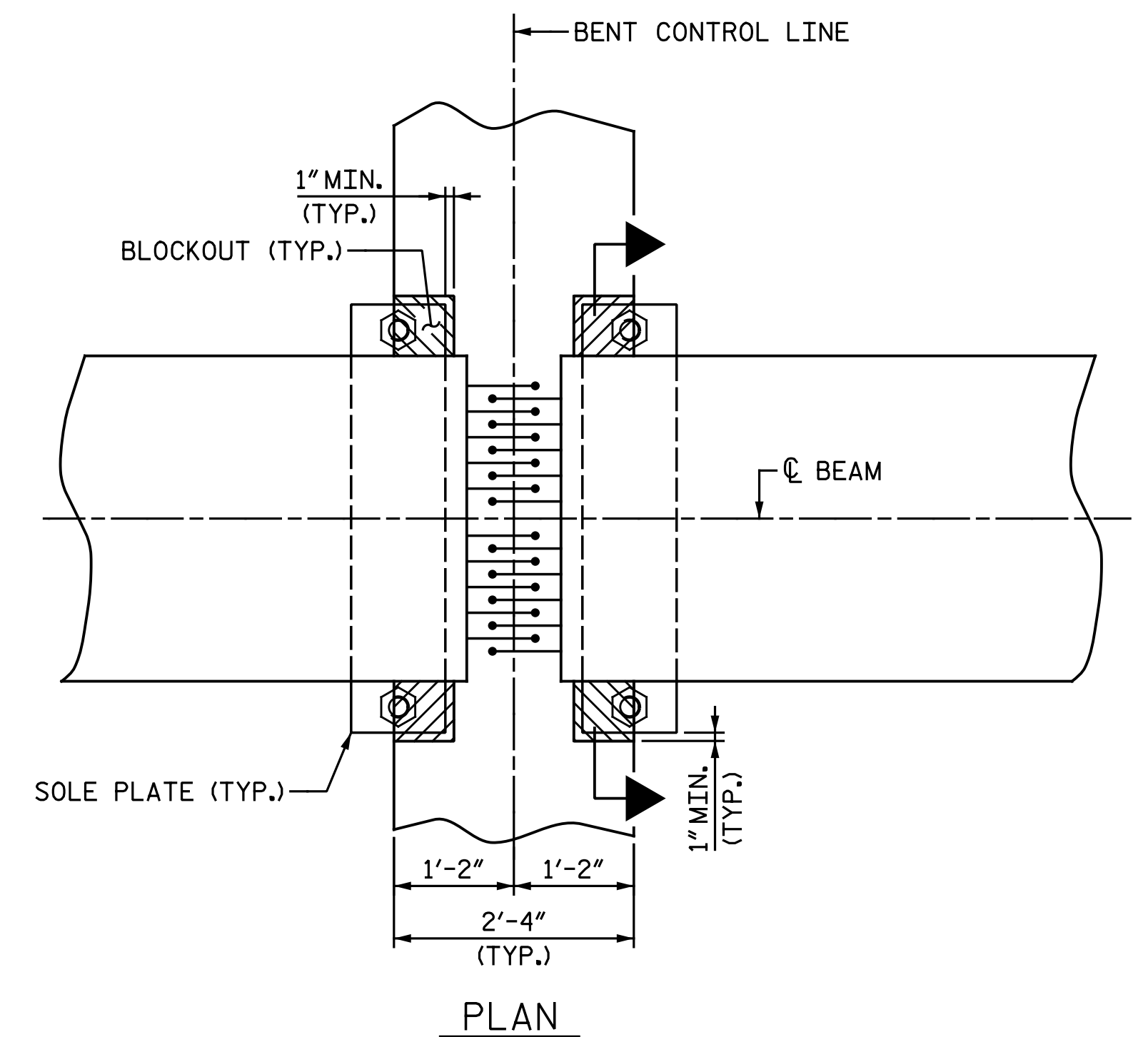
SECTION THRU END BENT DIAPHRAGM
END BENT 1 SHOWN, END BENT 2 SIMILAR



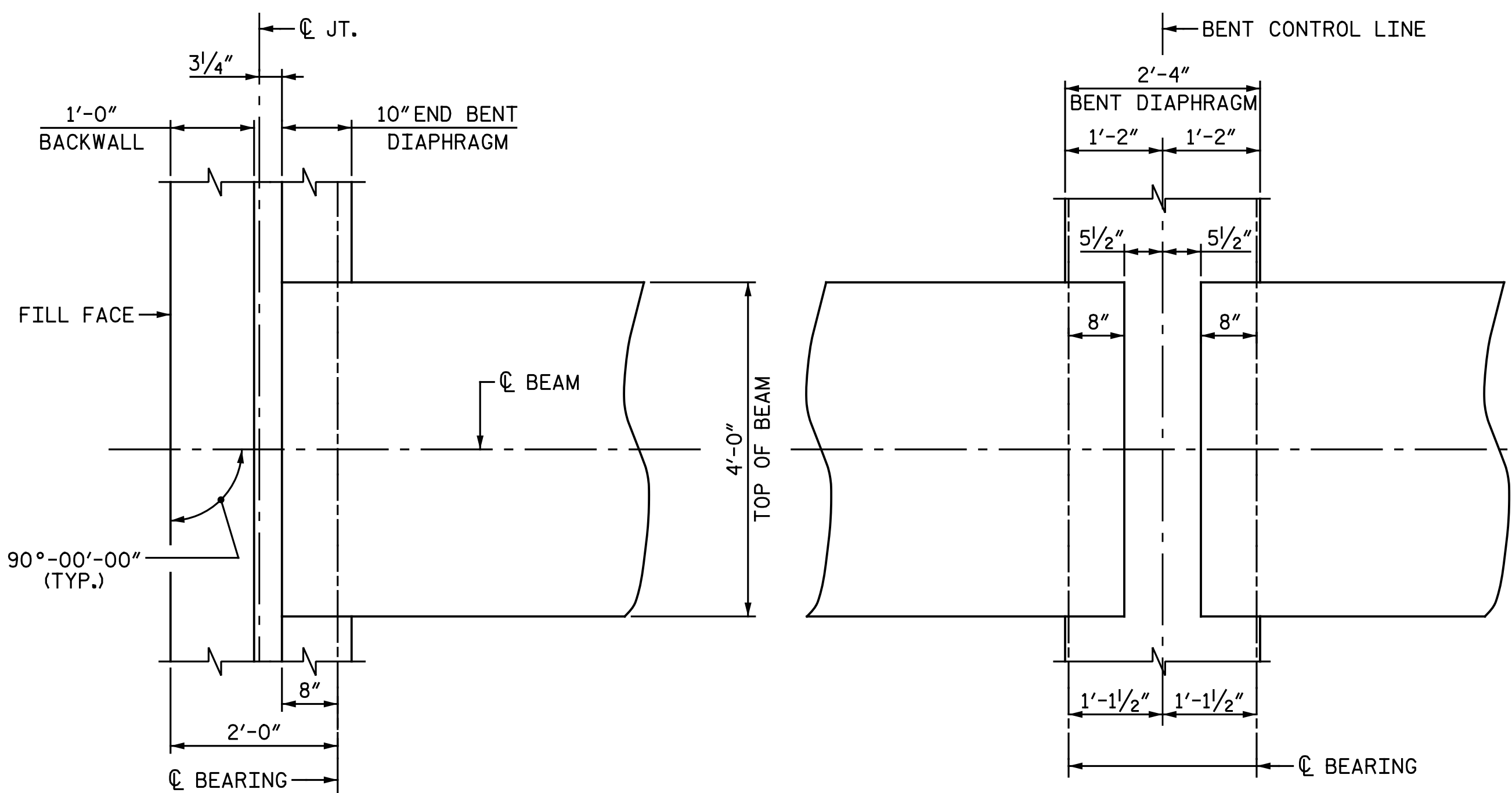
SECTION THRU BENT DIAPHRAGM
BENT 1 AND BENT 2



SECTION



BENT DIAPHRAGM BLOCKOUT DETAIL



END BENT

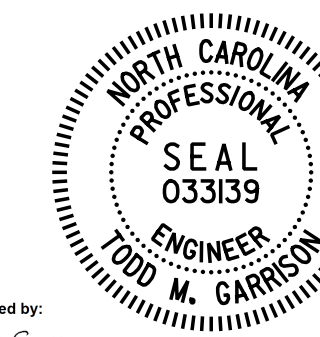
BENT

PLAN OF DIAPHRAGMS

END BENT 1 AND BENT 1 SHOWN,
END BENT 2 AND BENT 2 SIMILAR

PROJECT NO. I-5986B
JOHNSTON COUNTY
STATION: 1260+34.00 -L-

SHEET 5 OF 5



DocuSigned by:
Todd M. Garrison
4/9/2020

DOCUMENT NOT CONSIDERED FINAL
UNLESS ALL SIGNATURES COMPLETED

Michael Baker International		Michael Baker Engineering 8000 Regency Parkway, Suite 600 Cary, North Carolina 27518 NC License No.: F-1084		REVISIONS		SHEET NO.	
NO.	BY:	DATE:	NO.	BY:	DATE:	SI-II	TOTAL SHEETS
1			3				57
2			4				

DRAWN BY: P. SMITH DATE: 4-24-19
CHECKED BY: J.M. GARRISON DATE: 4-26-19