

5/14/19

REVISIONS

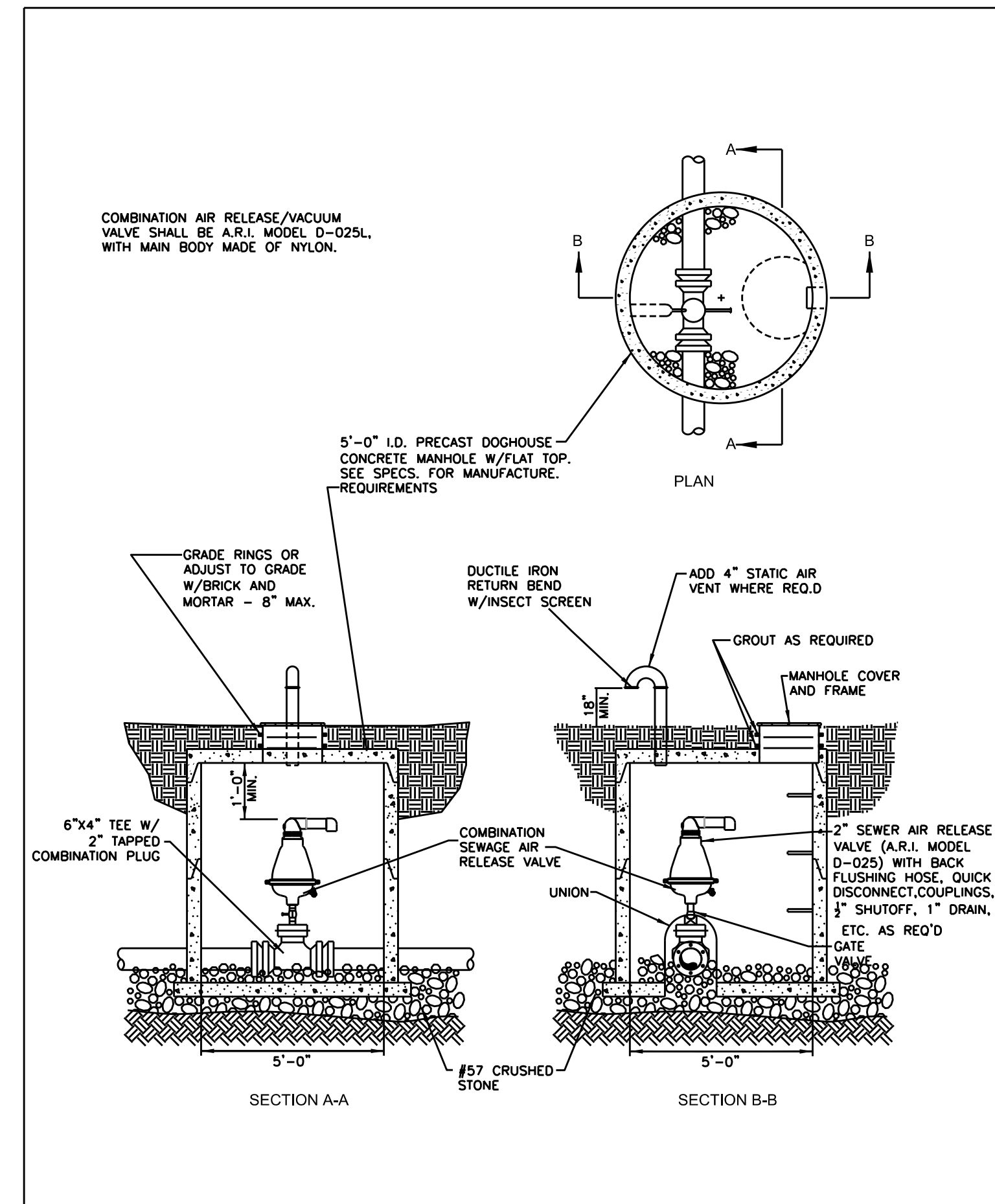
# PROJECT TYPICAL DETAILS

## DETAILS ON THIS SHEET ARE FOR THE CITY OF DUNN

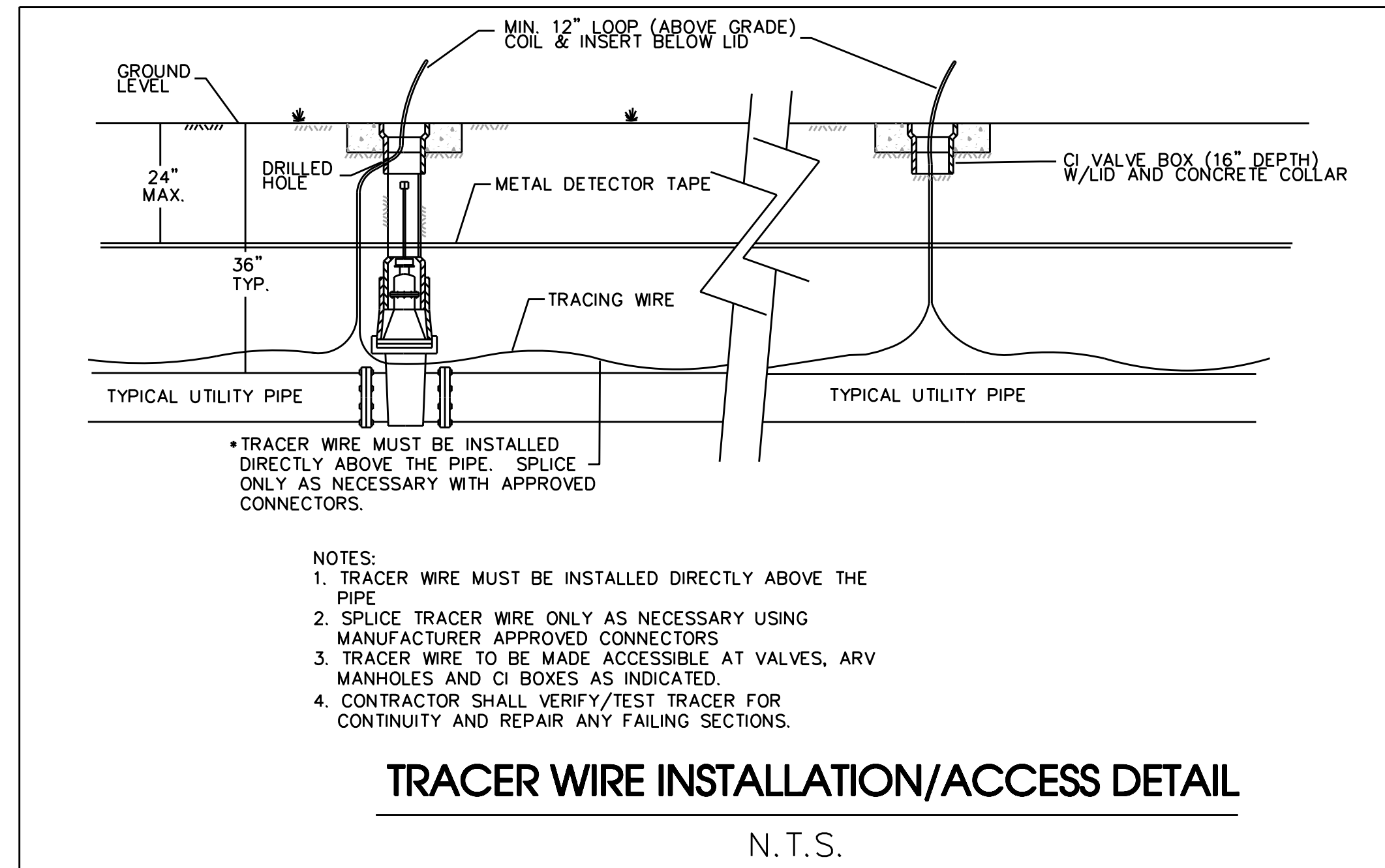
PROJECT REFERENCE NO.	SHEET NO.
I-5883	UC-3F
DESIGNED BY: DMP	
DRAWN BY: DMP	
CHECKED BY: DMP	
APPROVED BY:	
REVISED:	
NORTH CAROLINA DEPARTMENT OF TRANSPORTATION	
UTILITIES ENGINEERING SEC. PHONE: (919) 707-6690 FAX: (919) 250-4151	UTILITY CONSTRUCTION PLANS ONLY

### UTILITY CONSTRUCTION

DOCUMENT NOT CONSIDERED FINAL UNLESS ALL SIGNATURES COMPLETED



	<b>AIR RELEASE VALVE</b> FOR SEWER FORCE MAINS CITY OF DUNN NORTH CAROLINA Department of Public Works	Revised: 1/25/19
		Scale: NTS
700.12		Sheet 1 of 1



### TRACER WIRE INSTALLATION/ACCESS DETAIL

N.T.S.