

5/14/99

PROJECT TYPICAL DETAILS

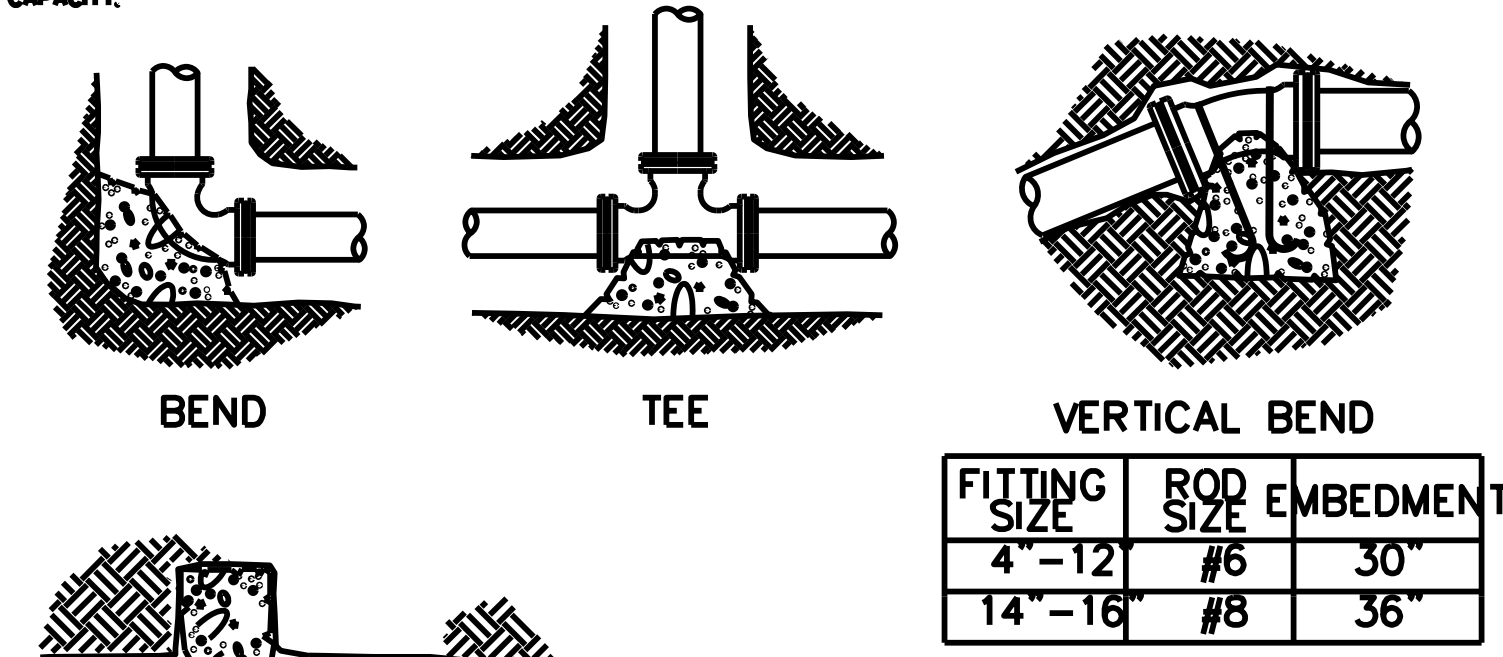
PROJECT REFERENCE NO.	SHEET NO.
I-5883	UC-3A
DESIGNED BY: DMP	
DRAWN BY: DMP	
CHECKED BY: DMP	
APPROVED BY:	
REVISED:	
NORTH CAROLINA DEPARTMENT OF TRANSPORTATION UTILITIES ENGINEERING SEC. PHONE: (919) 707-6690 FAX: (919) 250-4151	
UTILITY CONSTRUCTION PLANS ONLY	

UTILITY CONSTRUCTION

DOCUMENT NOT CONSIDERED FINAL UNLESS ALL SIGNATURES COMPLETED

FITTING SIZE	(HORIZONTAL) BEARING AREA OF THRUST BLOCKS IN SQ. FT.					VOLUME OF THRUST BLOCK IN CU. YDS. (VERTICAL)			
	TEE	90° BEND	45° BEND	22 1/2° BEND	11 1/4° BEND	FITTING SIZE	BEND ANGLE		
							45°	22.5°	11.25°
4	1.3	1.8	1.0	1.0	1.0	4	1.1	0.4	0.2
6	2.8	4.0	2.2	1.1	1.0	6	2.7	1.0	0.4
8	5.0	7.1	3.8	2.0	1.0	8	4.0	1.5	0.6
12	11.3	16.0	8.7	4.4	2.2	12	8.5	3.2	1.3
16	20.1	28.4	15.4	7.8	3.9	16	14.8	5.6	2.3
20	31.1	44.4	24.0	12.3	6.2				
24	45.2	64.0	34.6	17.7	8.9				

VALUES BASED ON 200 PSF WATER PRESSURE AND 2000 PSF SOL. BEARING CAPACITY.

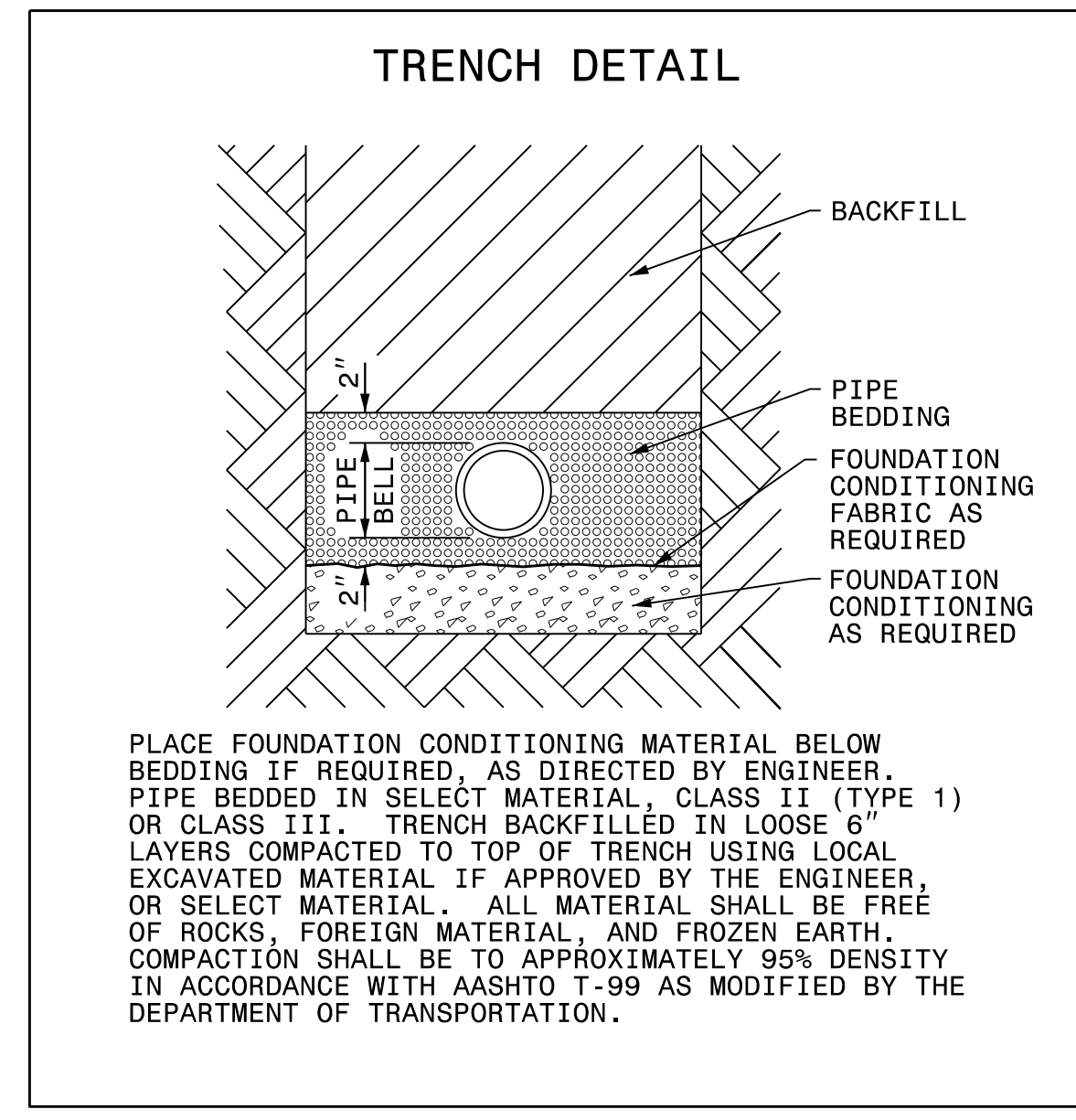


- NOTES:
- 1) CONCRETE BLOCKING TO BE POURED AGAINST UNDISTURBED EARTH
 - 2) ALL CONCRETE TO BE CLASS 3000
 - 3) INSTALL 12 MIL TOTAL THICKNESS POLYETHENE SHEET AROUND FITTING. SECURE SHEET ENDS TO PREVENT INFILTRATION OF DIRT BETWEEN SHEET AND PIPE FITTING PRIOR TO POURING THRUST BLOCKING
 - 4) PROTECT MECHANICAL JOINT FOLLOWERS AND BOLTS FROM CONCRETE WITH TEMPORARY FORMS AND POLYETHENE SHEETING SEE NOTE No. 3

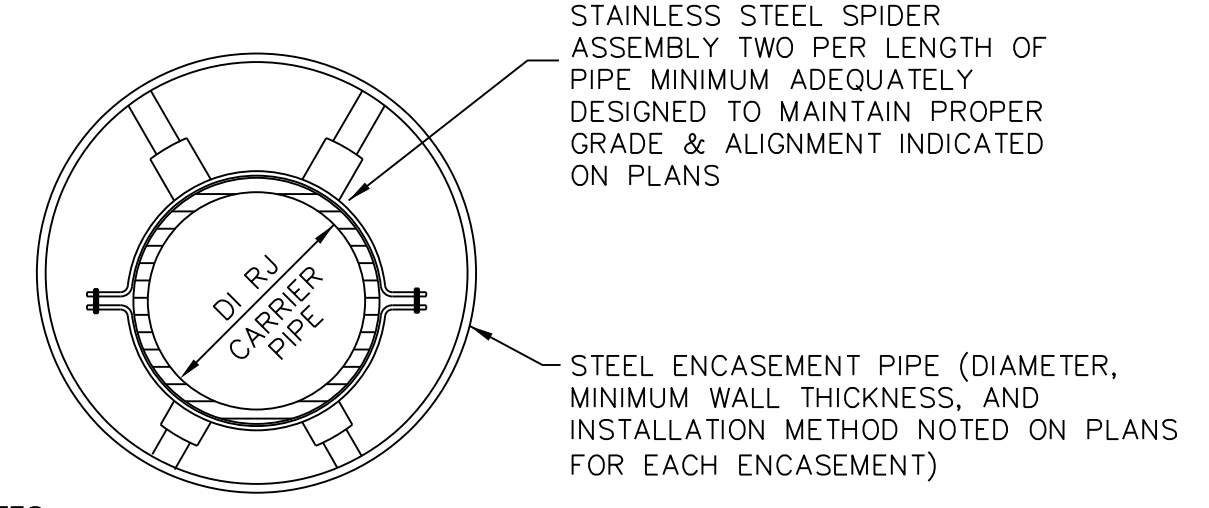
STRADDLE BLOCK SEE DETAIL No. 200

THRUST BLOCKING DETAILS

N.T.S.



MAXIMUM TRENCH WIDTH AT TOP OF PIPE			
NOMINAL PIPE SIZE (INCHES)	TRENCH WIDTH (INCHES)	NOMINAL PIPE SIZE (INCHES)	TRENCH WIDTH (INCHES)
4	28	20	44
6	30	24	48
8	32	30	54
10	34	36	60
12	36	42	66
14	38	48	72
16	40	54	78
18	42		



- NOTES:
1. ENCLOSE ENDS WITH BRICK MASONRY.
 2. PROVIDE 1" WEEP HOLE AT LOW END OF ENCASUREMENT.
 3. DO NOT FILL ENCASEMENTS SMALLER THAN 24". FOR ENCASEMENTS 24" AND LARGER, FILL ONLY WITH CLASS III, IV, OR V SELECT MATERIALS.

TYPICAL ENCASUREMENT PIPE SECTION

N.T.S.

