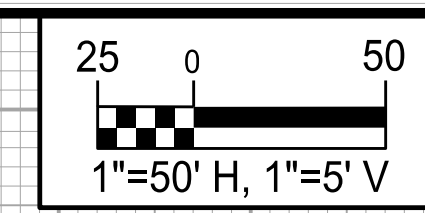


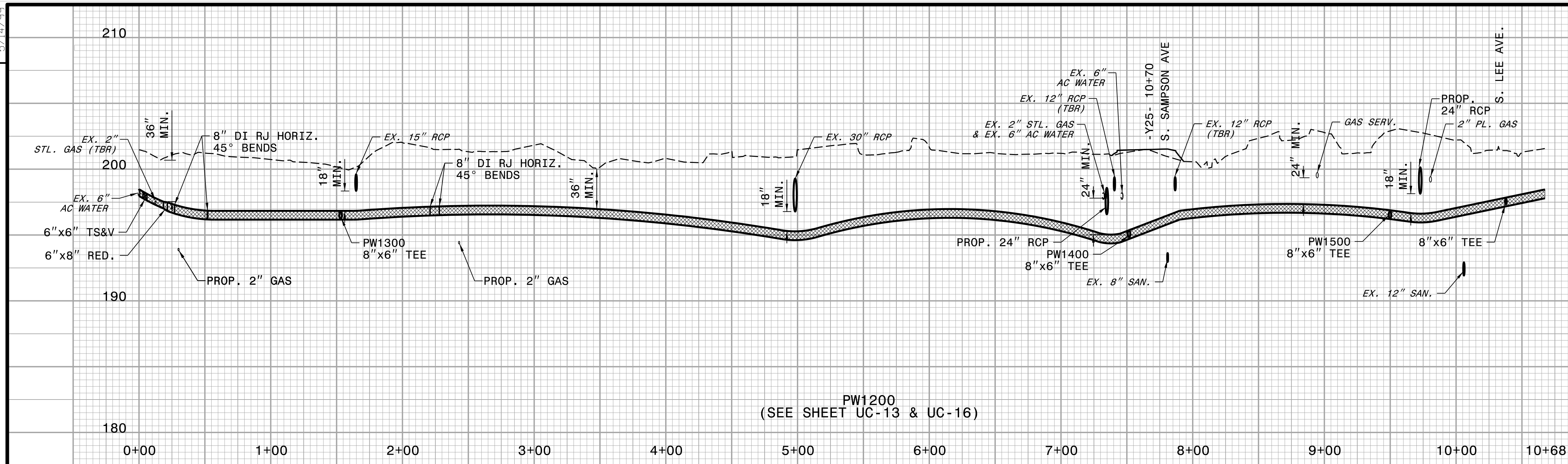
5/14/2021



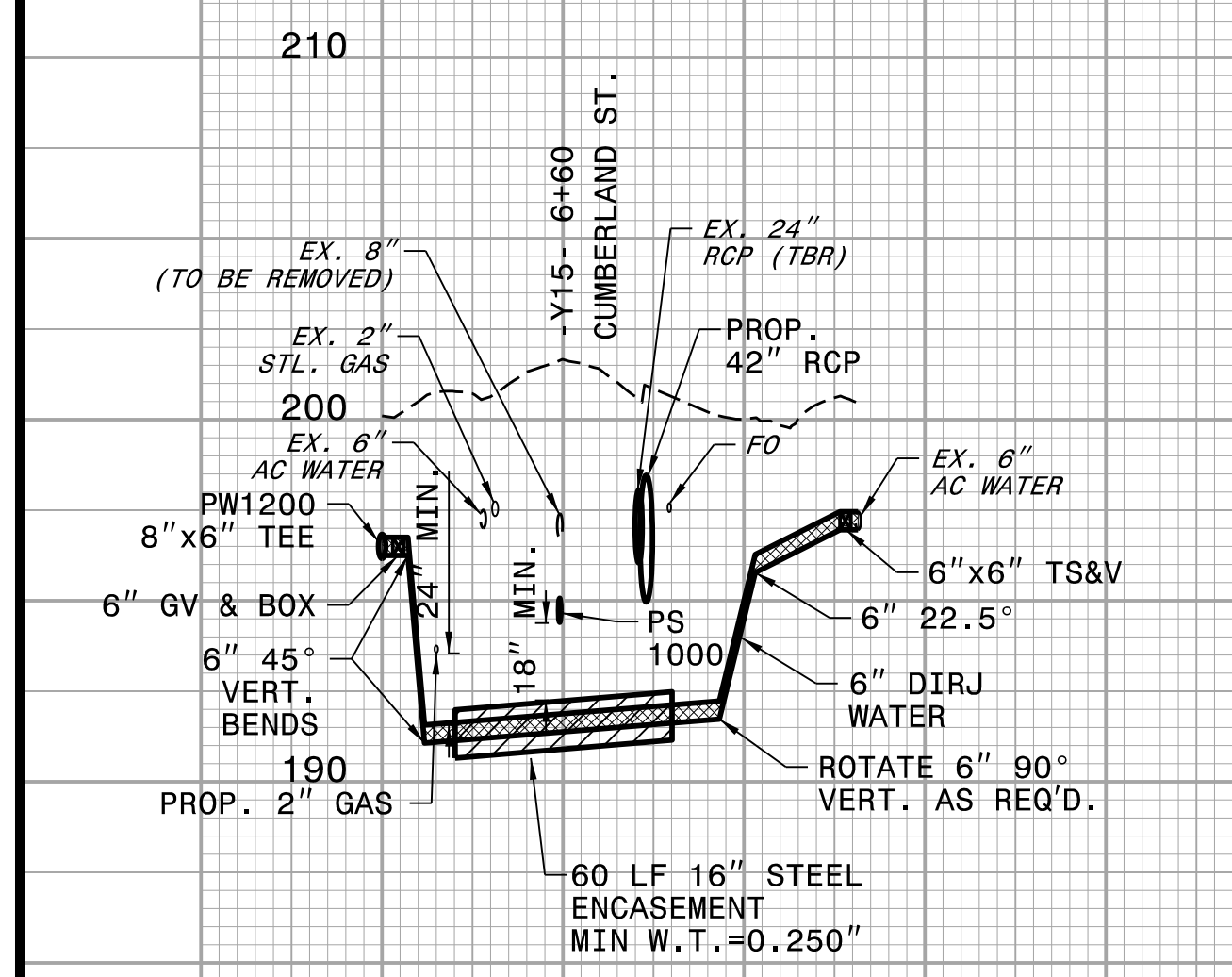
PROJECT REFERENCE NO.	SHEET NO.
I-5878	UC-30
DESIGNED BY: DMP	
DRAWN BY: DMP	
CHECKED BY: DMP	
APPROVED BY:	
REVISED:	
NORTH CAROLINA DEPARTMENT OF TRANSPORTATION	
UTILITIES ENGINEERING SEC. PHONE: (919) 707-6690 FAX: (919) 250-4151	UTILITY CONSTRUCTION PLANS ONLY

### UTILITY CONSTRUCTION

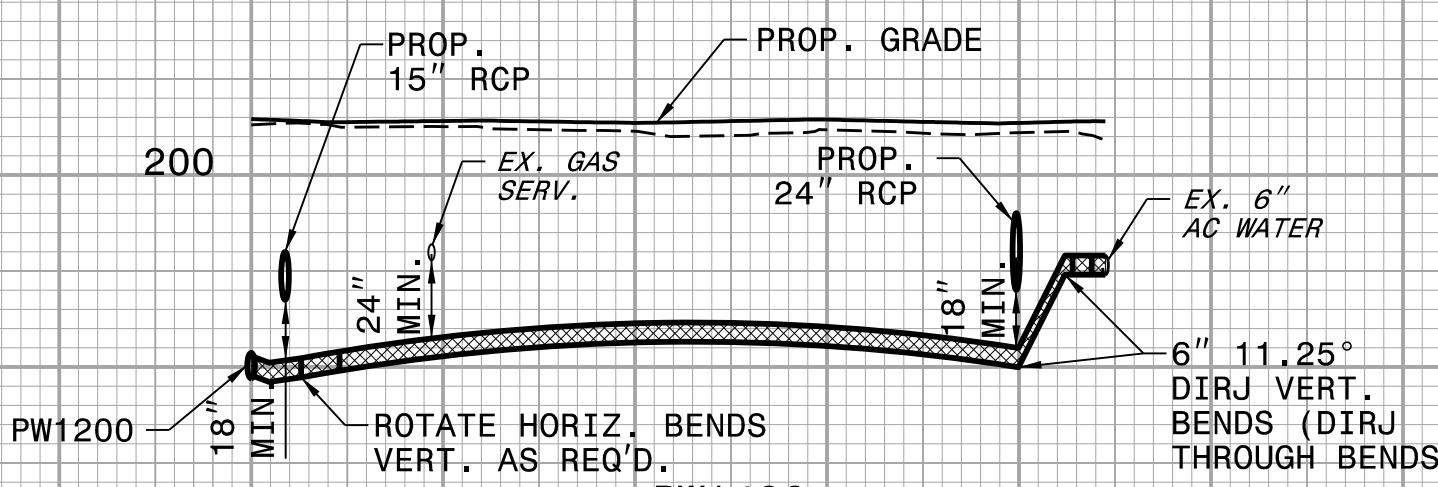
DOCUMENT NOT CONSIDERED FINAL UNLESS ALL SIGNATURES COMPLETED



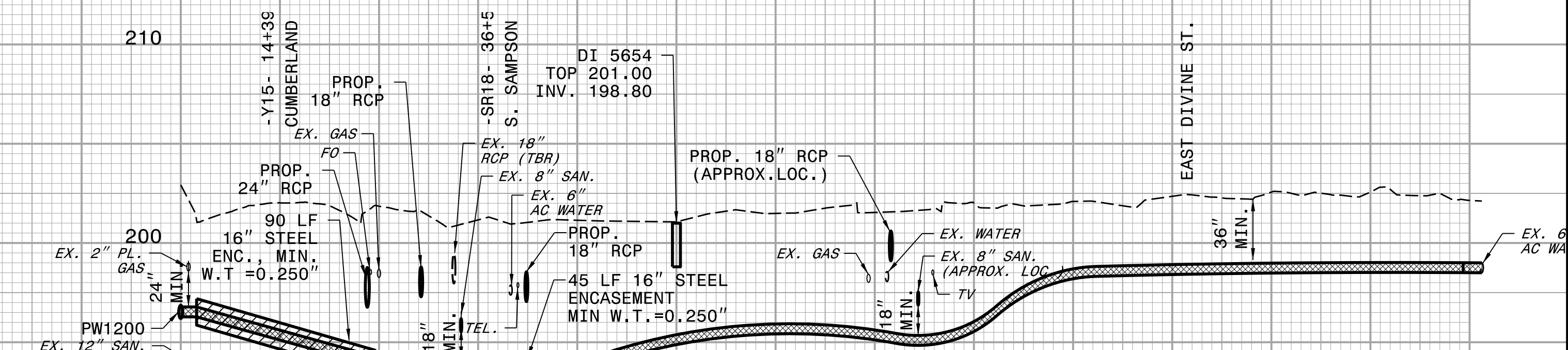
PW1200  
(SEE SHEET UC-13 & UC-16)



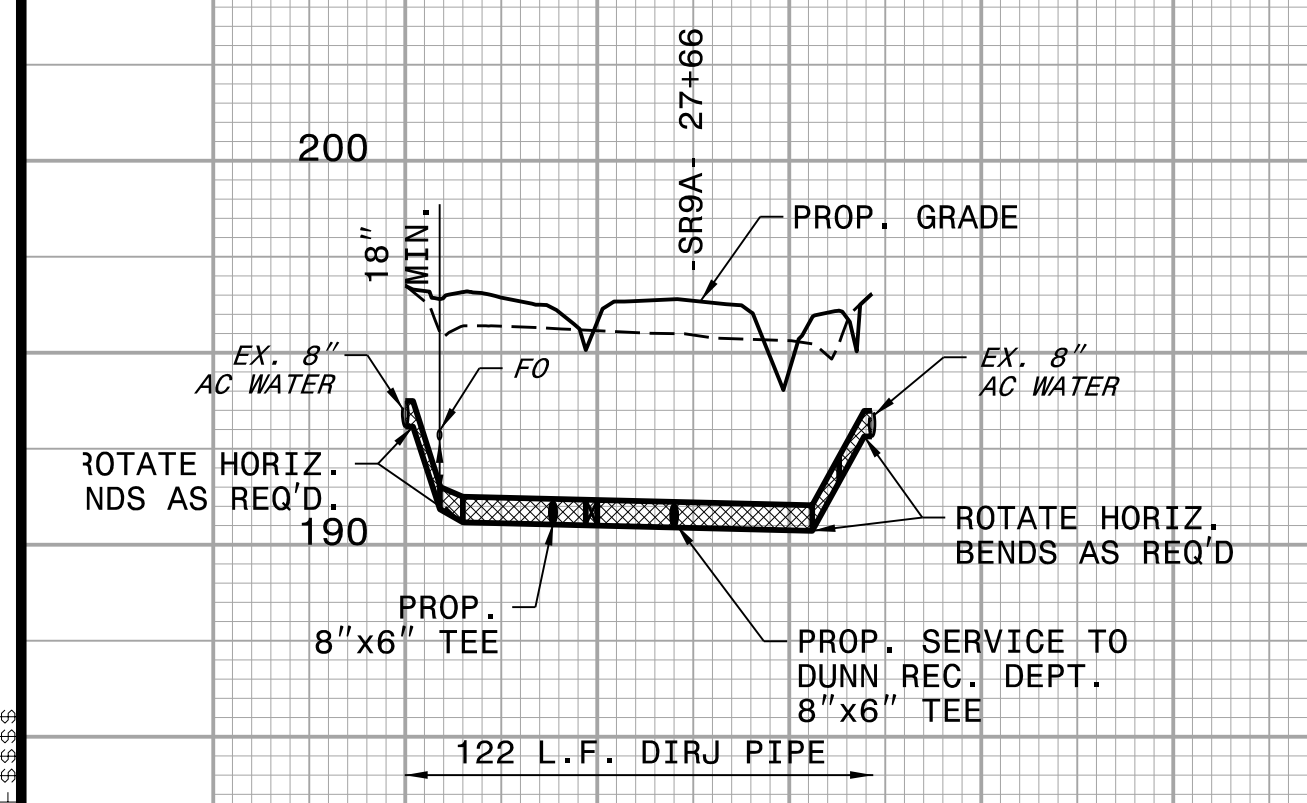
PW1300  
(SEE SHEET UC-16)



PW1400  
(SEE SHEET UC-13)



PW1500  
(SEE SHEET UC-13)



PW1600  
(SEE SHEET UC-12)

REVISIONS

1. 9/25/2021 - REVISED PW1300 AND PW1500 TO MISS EXISTING SIGNS

5/14/2021  
1. 5/14/2021 - REVISED PW1300 AND PW1500 TO MISS EXISTING SIGNS