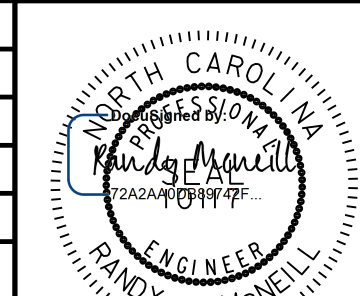


5/14/19

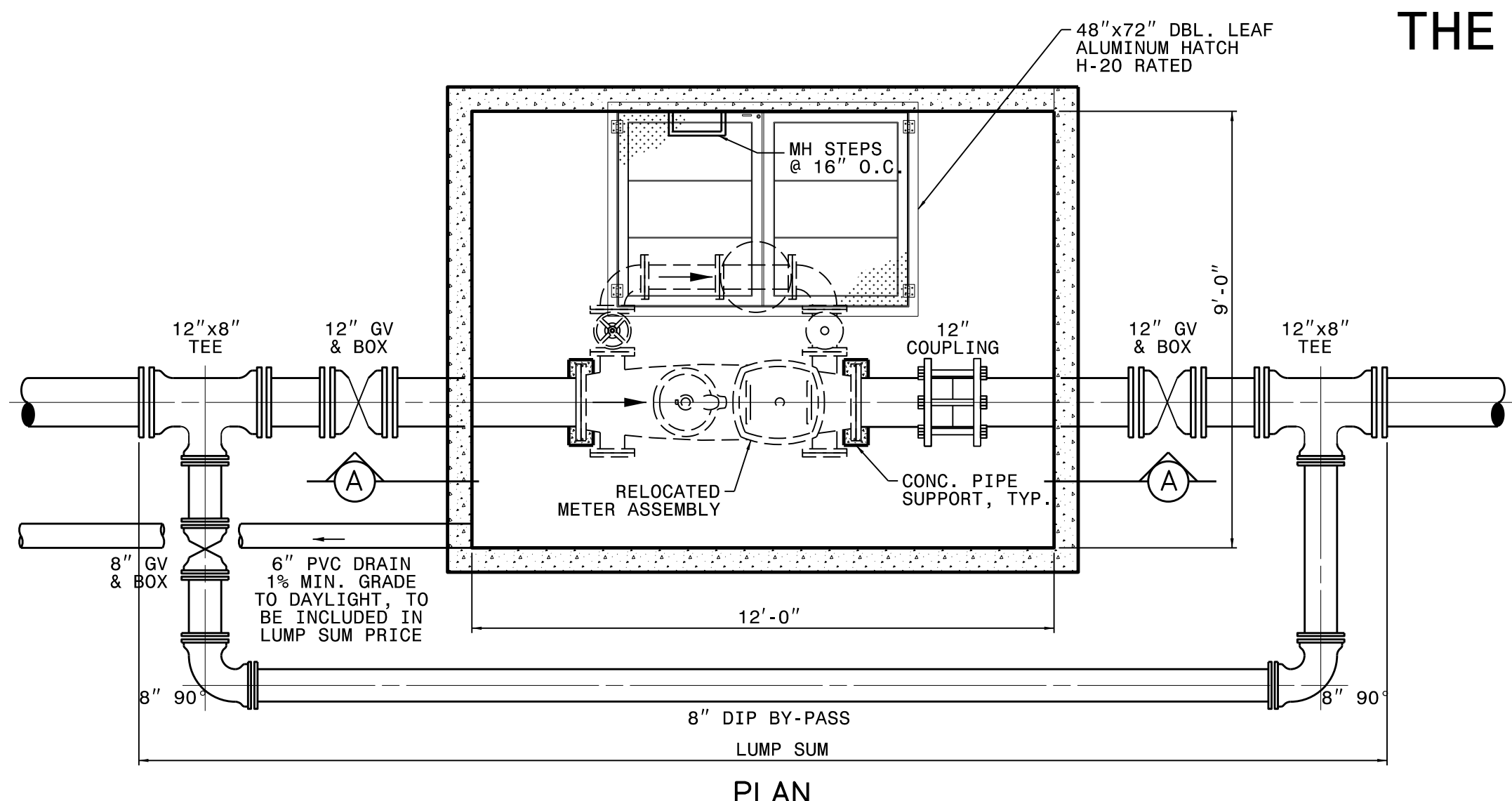
# PROJECT TYPICAL DETAILS

DETAILS ON THIS SHEET ARE FOR THE CITY OF DUNN

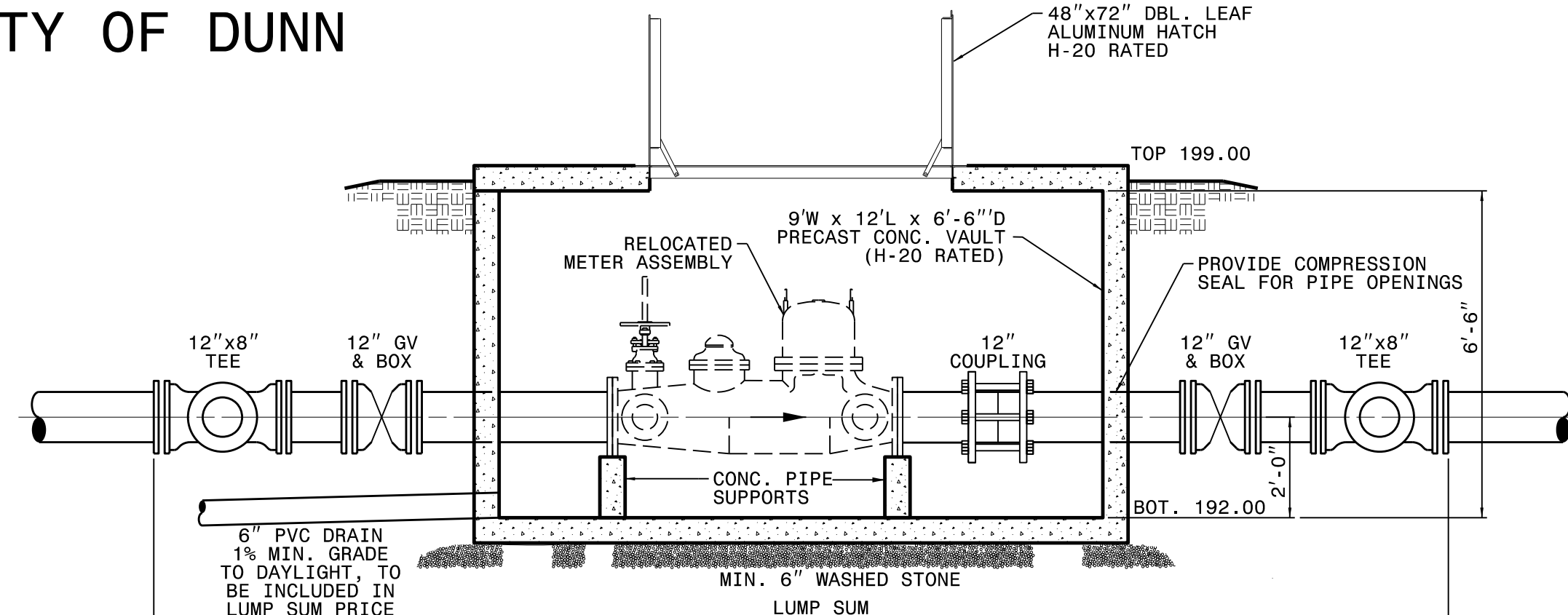
PROJECT REFERENCE NO.	SHEET NO.
I-5878	UC-3C
DESIGNED BY: DMP	
DRAWN BY: DMP	
CHECKED BY: DMP	
APPROVED BY:	
REVISED:	
NORTH CAROLINA DEPARTMENT OF TRANSPORTATION UTILITIES ENGINEERING SEC. PHONE: (919) 707-6690 FAX: (919) 250-4151 UTILITY CONSTRUCTION PLANS ONLY	

## UTILITY CONSTRUCTION

DOCUMENT NOT CONSIDERED FINAL UNLESS ALL SIGNATURES COMPLETED

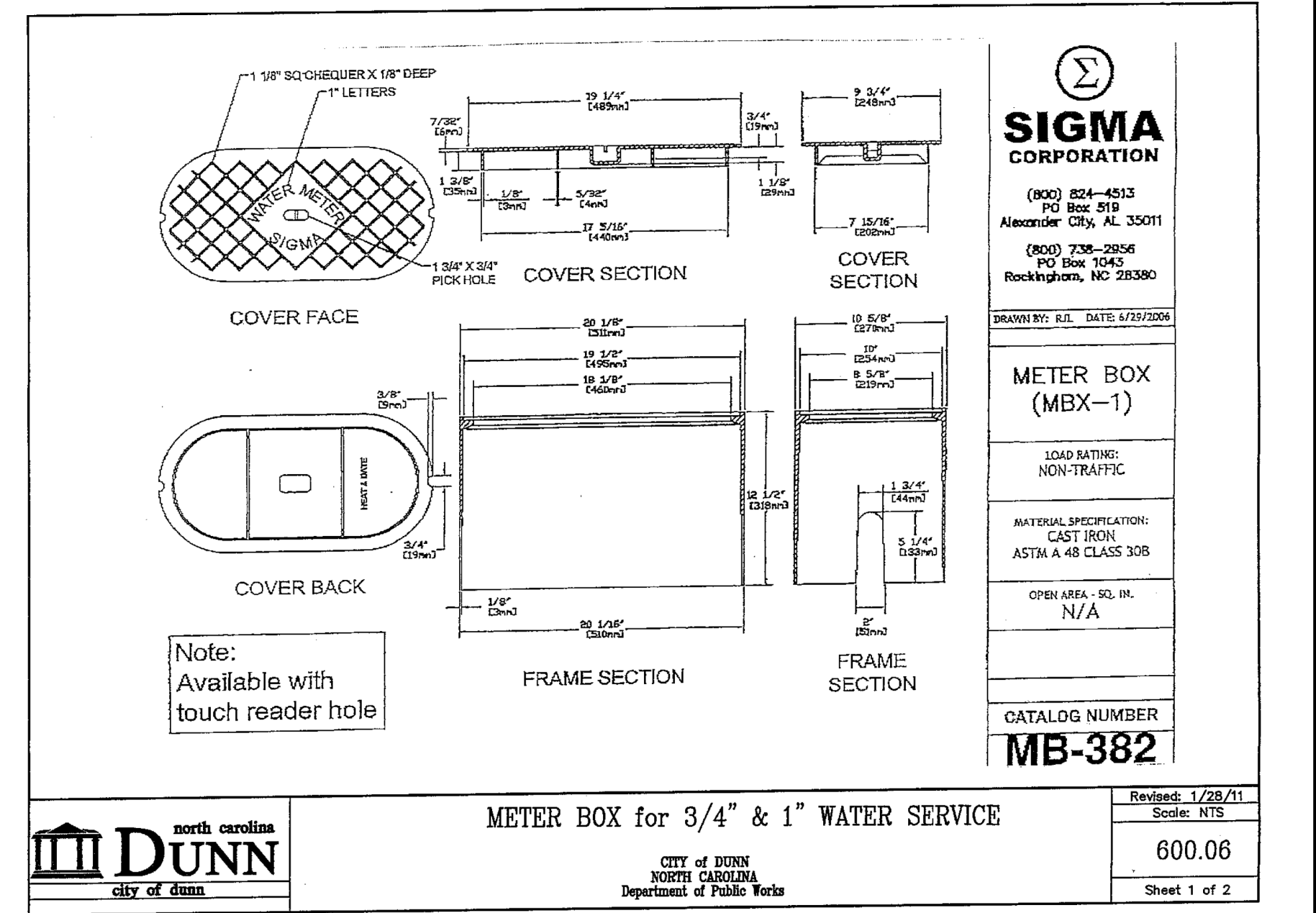



PI AN

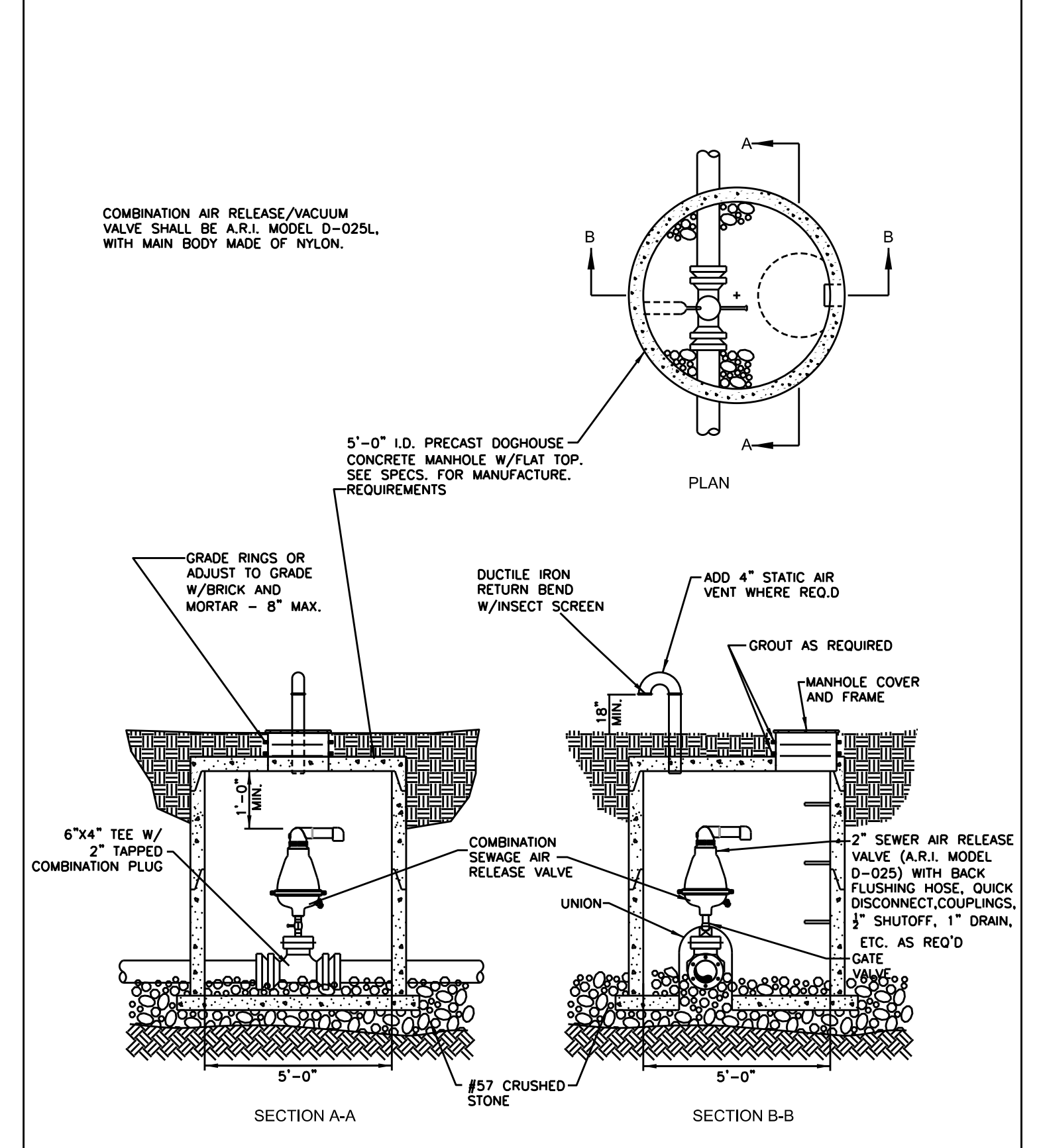


SECTION A-A

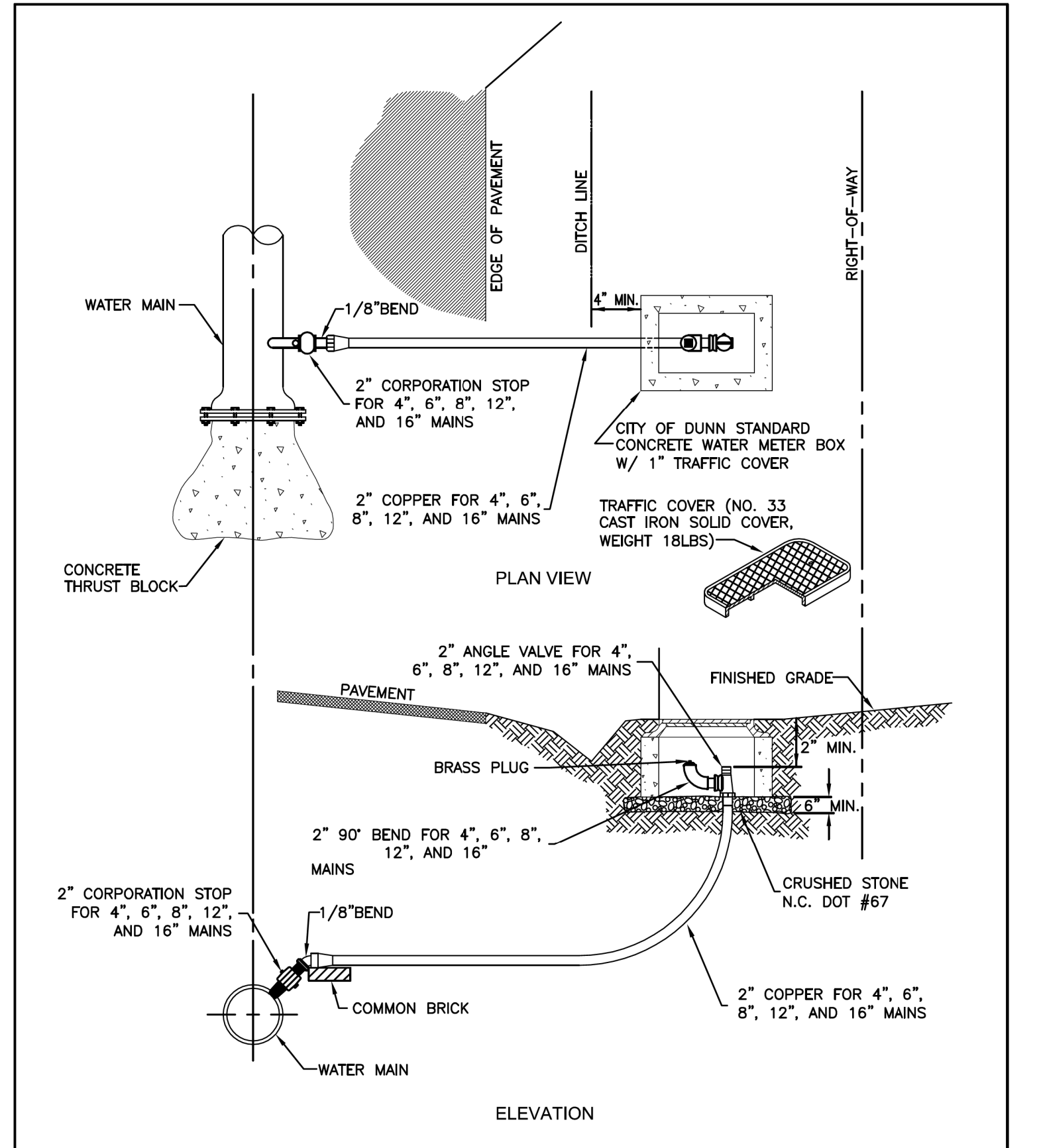
## MASTER METER VAULT (SEE SHEET UC-7C)



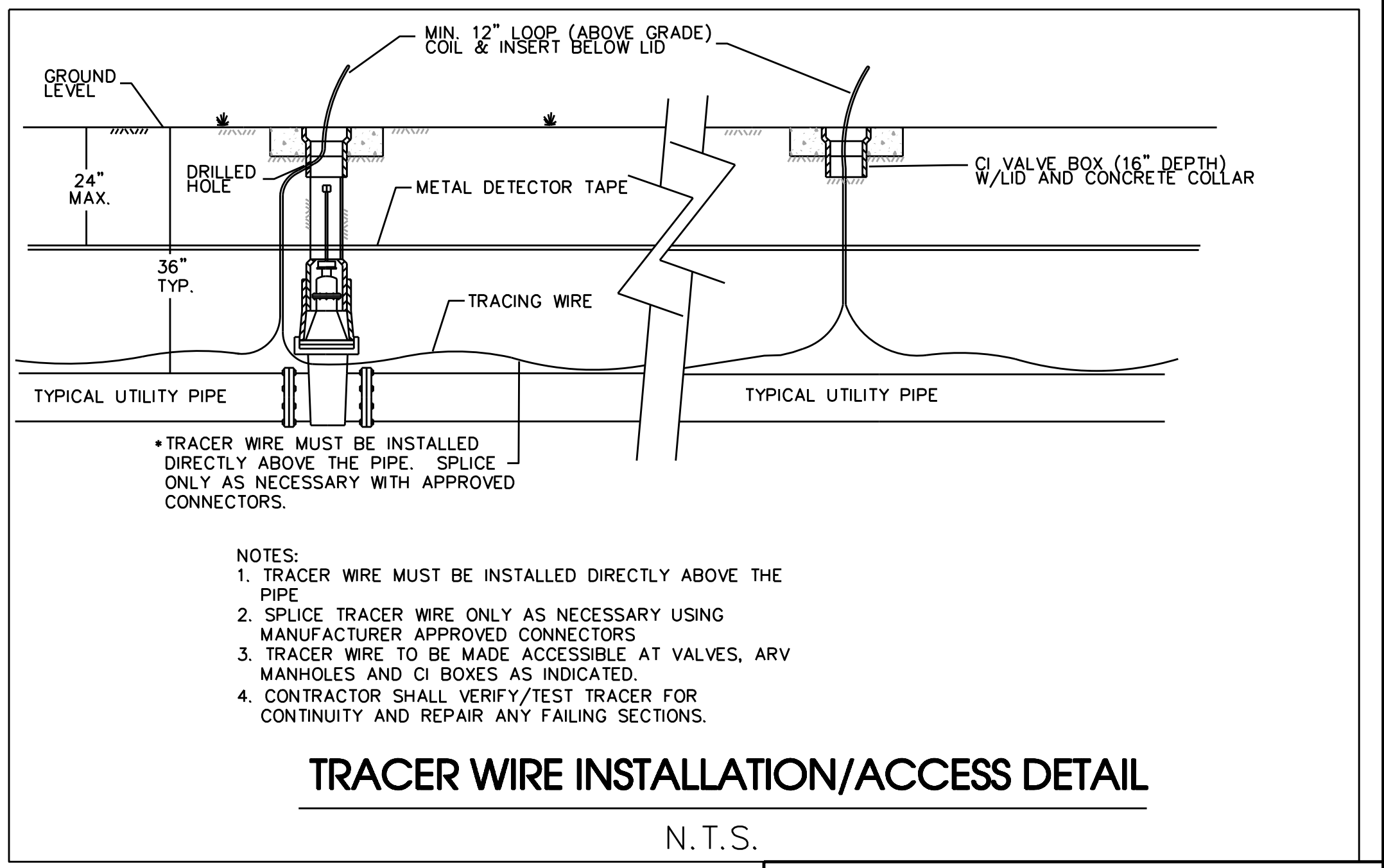
 <b>SIGMA CORPORATION</b> (800) 824-4313 P.O. Box 519 Alexander City, AL 35011 (800) 738-2856 P.O. Box 1045 Rockingham, NC 28380 DRAWN BY: R.L. DATE: 4/22/2008	<b>METER BOX (MBX-1)</b> LOAD RATING: NON-TRAFFIC MATERIAL SPECIFICATION: CAST IRON ASTM A 48 CLASS 30B OPEN AREA - SQ. IN. N/A
	CATALOG NUMBER
	<b>MB-382</b>
	Revised: 1/28/11
	Scale: N.T.S.
	600.06
	Sheet 1 of 2



**AIR RELEASE VALVE FOR SEWER FORCE MAINS**  
 CITY OF DUNN  
 NORTH CAROLINA  
 Department of Public Works  
 Revised: 1/25/19  
 Scale: N.T.S.  
 700.12  
 Sheet 1 of 1



**BLOW-OFF ASSEMBLY**  
 CITY OF DUNN  
 NORTH CAROLINA  
 Department of Public Works  
 Revised: 1/28/11  
 Scale: N.T.S.  
 600.01  
 Sheet 1 of 1



## TRACER WIRE INSTALLATION/ACCESS DETAIL

N.T.S.

REVISIONS

5/14/19  
 1  
 2  
 3  
 4  
 5  
 6  
 7  
 8  
 9  
 10  
 11  
 12  
 13  
 14  
 15  
 16  
 17  
 18  
 19  
 20  
 21  
 22  
 23  
 24  
 25  
 26  
 27  
 28  
 29  
 30  
 31  
 32  
 33  
 34  
 35  
 36  
 37  
 38  
 39  
 40  
 41  
 42  
 43  
 44  
 45  
 46  
 47  
 48  
 49  
 50