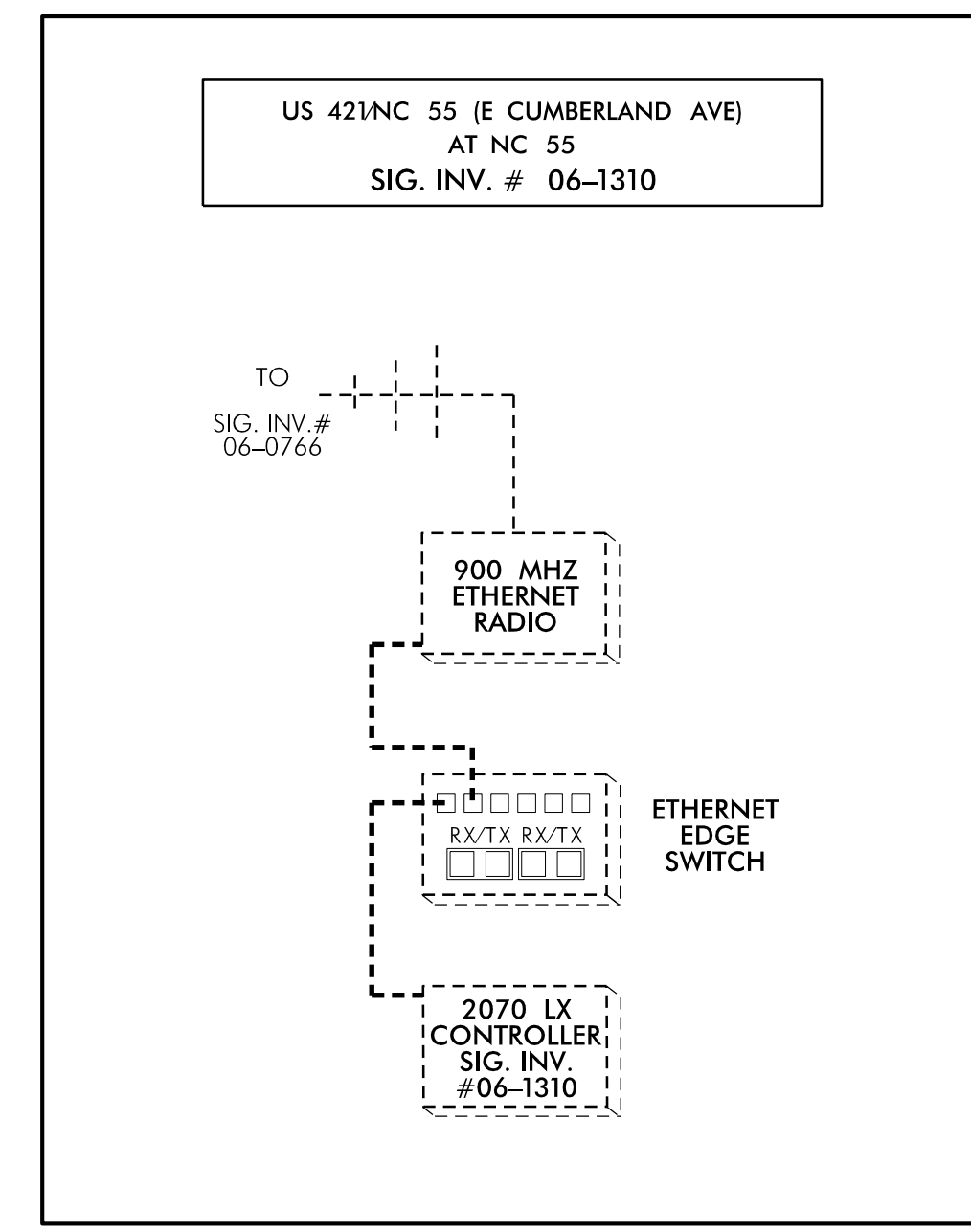
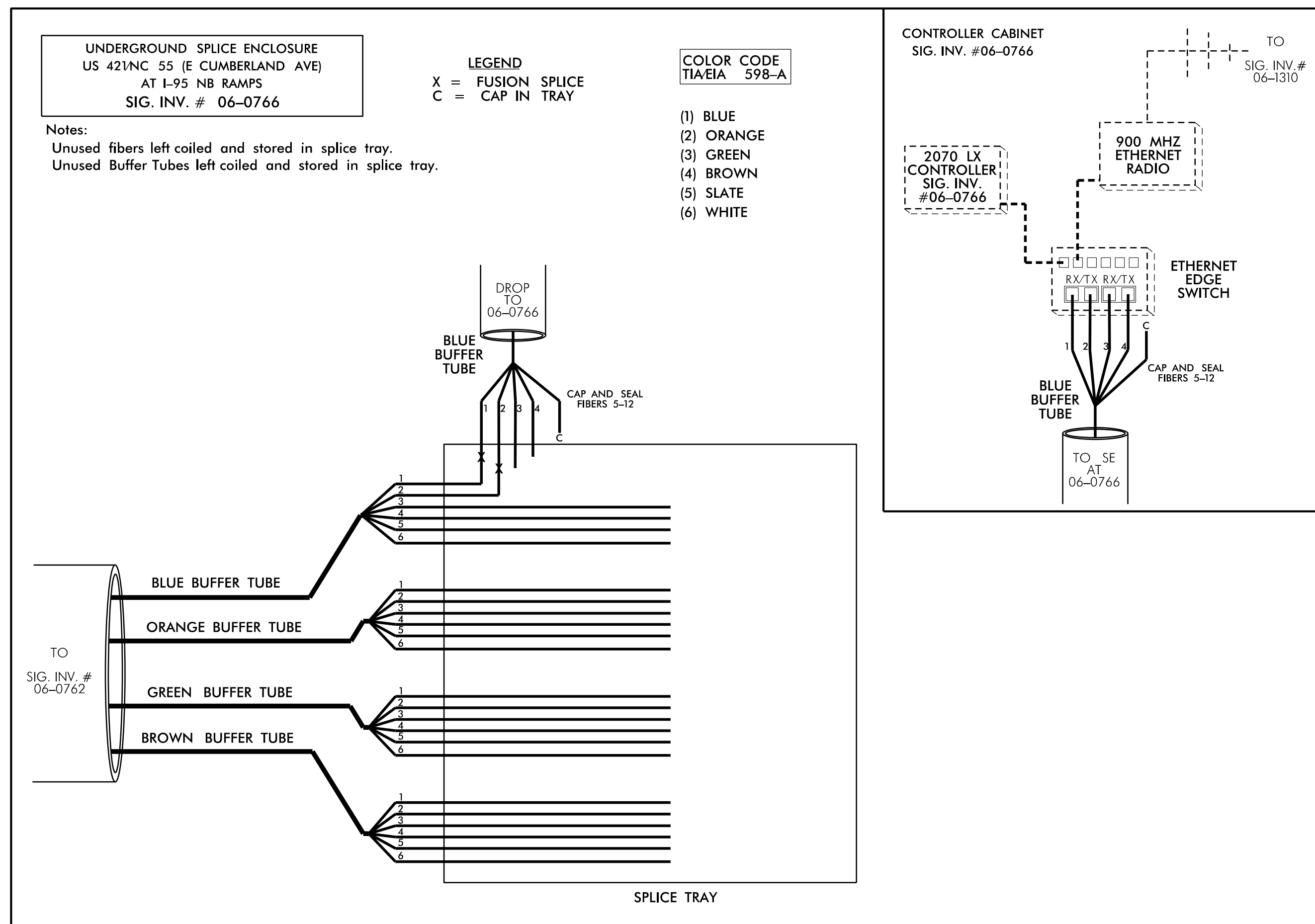


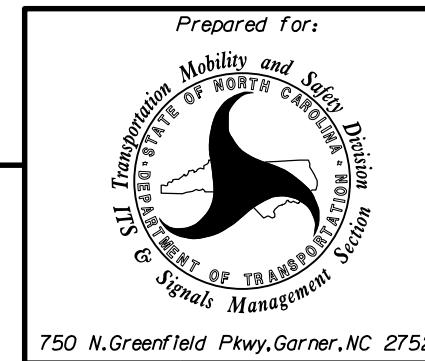
- NOTES:
- 1) FIVE (5) DAYS PRIOR TO BEGINNING WORK ON THE SIGNAL SYSTEM, CONTACT THE NCDOT DIVISION 6 TRAFFIC ENGINEER, FRANK D. WEST, JR, AT 910-364-0606 TO ARRANGE FOR THE DIVISION TO PROGRAM THE NEW FIELD ETHERNET SWITCHES WITH THE NECESSARY NETWORK CONFIGURATION DATA, INCLUDING BUT NOT LIMITED TO: THE PROJECT IP ADDRESS, DEFAULT GATEWAY, SUBNET MASK AND VLAN ID INFORMATION. NOTIFY THE NCDOT DIVISION 6 TRAFFIC ENGINEER AFTER ALL WORK IS PERFORMED TO ENSURE THAT ALL FIBER CIRCUITS ARE FUNCTIONING PROPERLY. WORK IS NOT COMPLETE UNTIL THE SIGNAL SYSTEM IS BACK UP AND OPERATIONAL.
 - 2) CONTRACTOR TO RECORD EXISTING SPlice ARRANGEMENT FOR COMPARISON TO THE SUPPLIED SPlice DETAILS. IF DISCREPANCIES EXIST, CONTACT THE ENGINEER TO DETERMINE HOW TO PROCEED WITH RESPLICING. PROVIDE AS-BUILT PLANS TO THE ENGINEER IF FINAL SPlice ARRANGEMENT DIFFERS FROM THE SUPPLIED SPlice DETAILS.
 - 3) ETHERNET SWITCH TERMINATION CONFIGURATIONS ARE GENERIC. CONTRACTOR IS RESPONSIBLE FOR DETERMINING /ENSURING PROPER TERMINATIONS.
 - 4) INCLUDE ON THE COVER OF EACH SPlice TRAY THE FOLLOWING:
REFERENCE SECTION 1731 "FIBER OPTIC SPlice ENCLOSURE"
1) SPlice LOCATION
2) DATE
3) COMPANY NAME
4) NAME OF INDIVIDUAL PERFORMING THE SPlicing
- PRIOR TO INSTALLING THE COVER ON THE SPlice TRAY TAKE A DIGITAL PHOTOGRAPH SHOWING THE SPlice TRAY AND INFORMATION SHOWN ABOVE (1-4) AND SUBMIT PHOTOGRAPH ALONG WITH OTDR TEST RESULTS.



Michael Baker

INTERNATIONAL

8000 Regency Pkwy, Ste. 600, Cary, NC 27518
Phone: (919) 463-5490 - MBAKERINTL.COM
NC License No. : F-1084



SIGNAL COMMUNICATIONS PLANS	
SIGNAL SYSTEM #D06-02 DUNN	
SPlice DETAILS - FINAL	
DIVISION 06	HARNETT CO. DUNN
PLAN DATE: March 2021	REVIEWED BY: K M Cory
PREPARED BY: S Tamm	REVIEWED BY:
REVISIONS	INIT. DATE

DOCUMENT NOT CONSIDERED FINAL UNLESS ALL SIGNATURES COMPLETED

SEAL
KELLY M. CORY
ENGINEER
038970

4/26/2021

CADD Filename: