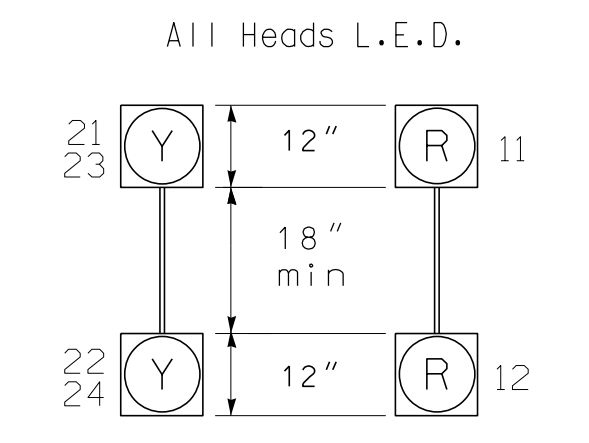


### SIGNAL FACE I.D.



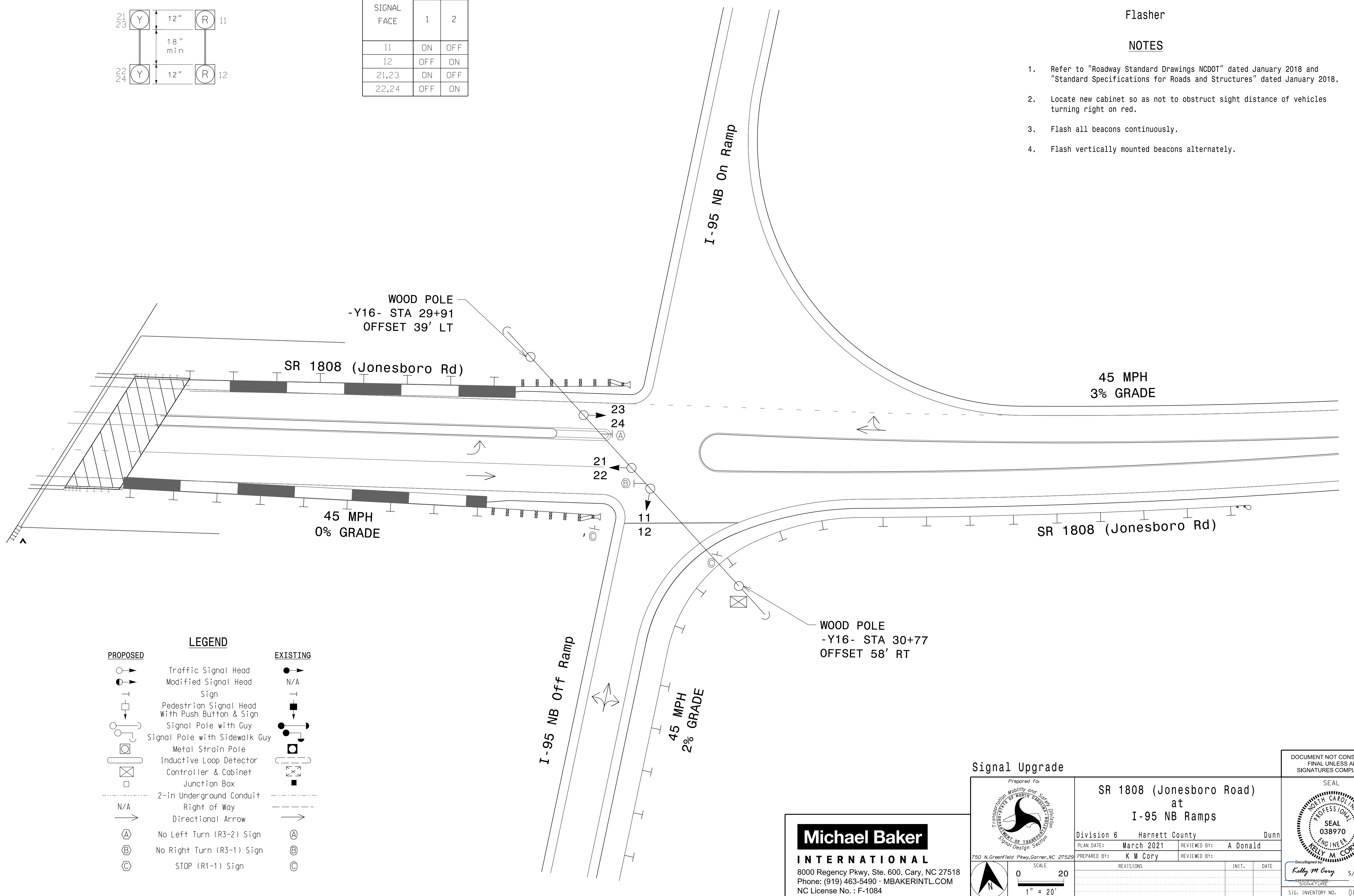
### TABLE OF OPERATION

SIGNAL FACE	INTERVAL	
	1	2
11	ON	OFF
12	OFF	ON
21,23	ON	OFF
22,24	OFF	ON

### Flasher

### NOTES

1. Refer to "Roadway Standard Drawings NCDOT" dated January 2018 and "Standard Specifications for Roads and Structures" dated January 2018.
2. Locate new cabinet so as not to obstruct sight distance of vehicles turning right on red.
3. Flash all beacons continuously.
4. Flash vertically mounted beacons alternately.



### LEGEND

PROPOSED	EXISTING

### Signal Upgrade

**Michael Baker INTERNATIONAL**  
 8000 Regency Pkwy, Ste. 600, Cary, NC 27518  
 Phone: (919) 463-5490 - MBAKERINTL.COM  
 NC License No. : F-1084

Prepared for:  
  
 750 N. Greenfield Pkwy, Garner, NC 27529  
 SCALE: 0 20 1" = 20'

<b>SR 1808 (Jonesboro Road) at I-95 NB Ramps</b>			
Division 6	Harnett County	Dunn	
PLAN DATE: March 2021	REVIEWED BY: A Donald		
PREPARED BY: K M Cory	REVIEWED BY:		
REVISIONS	INIT.	DATE	

DOCUMENT NOT CONSIDERED FINAL UNLESS ALL SIGNATURES COMPLETED

SEAL  
  
 Kelly M Cory  
 5/9/2021  
 DATE

\*\*\*\*\*SYTIME\*\*\*\*\*  
\*\*\*\*\*\*\*\*\*\*  
\*\*\*\*\*\*\*\*\*\*  
\*\*\*\*\*\*\*\*\*\*