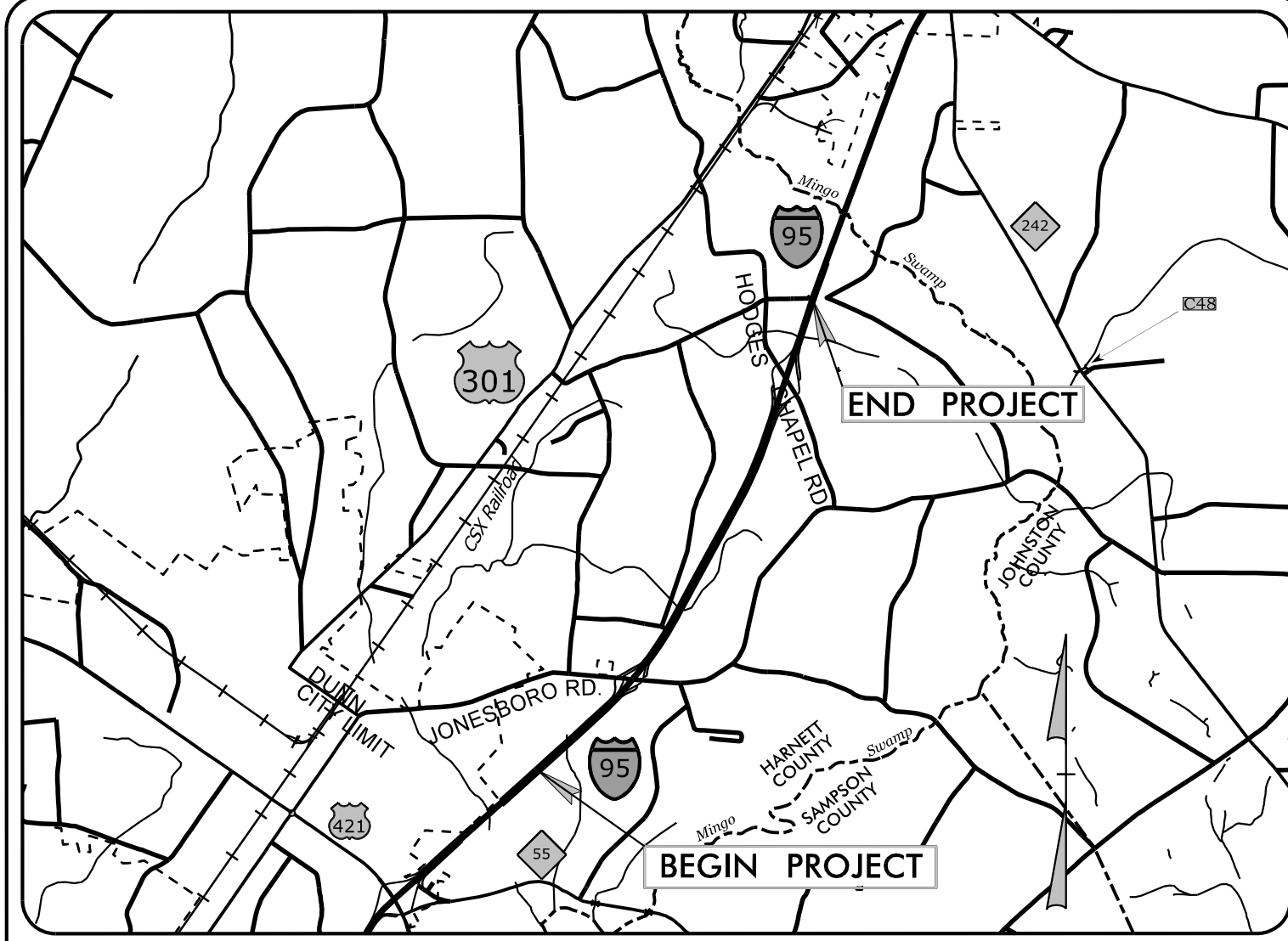


TIP PROJECT: I-5883

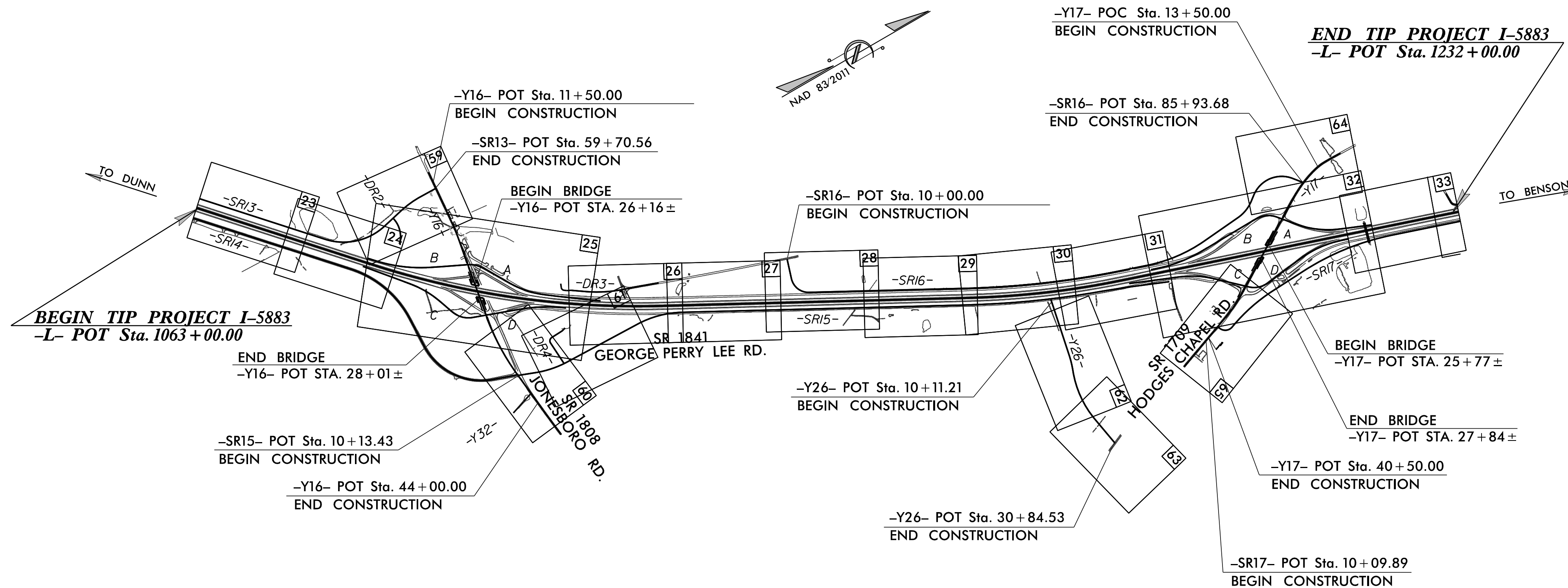
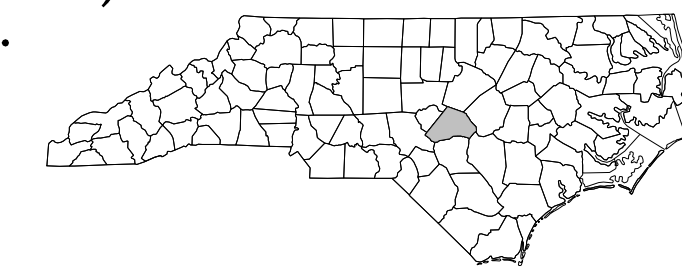


VICINITY MAP
NOT TO SCALE

STATE OF NORTH CAROLINA
DIVISION OF HIGHWAYS
PLAN FOR PROPOSED
HIGHWAY EROSION CONTROL
HARNETT COUNTY

LOCATION: IMPROVE I-95 INTERCHANGES AT SR 1808 (JONESBORO ROAD) (EXIT 75) AND SR 1709 (HODGES CHAPEL ROAD) (EXIT 77).

TYPE OF WORK: GRADING, PAVING, DRAINAGE, AND STRUCTURES

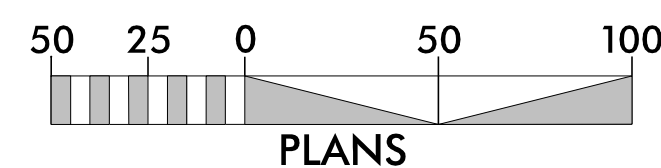


EROSION AND SEDIMENT CONTROL MEASURES

Std. #	Description	Symbol
1630.03	Temporary Silt Ditch	TD
1630.05	Temporary Diversion	TD
1605.01	Temporary Silt Fence	TSF
1606.01	Special Sediment Control Fence	SSCF
1622.01	Temporary Berms and Slope Drains	TBSD
1630.02	Silt Basin Type B	SB
1633.01	Temporary Rock Silt Check Type-A	TRSCA
	Temporary Rock Silt Check Type-A with Matting and Polyacrylamide (PAM)	TRSCA-PAM
1633.02	Temporary Rock Silt Check Type-B	TRSCB
	Wattle / Coir Fiber Wattle	W/CFW
	Wattle / Coir Fiber Wattle with Polyacrylamide (PAM)	W/CFW-PAM
1634.01	Temporary Rock Sediment Dam Type-A	TRSDA
1634.02	Temporary Rock Sediment Dam Type-B	TRSDB
1635.01	Rock Pipe Inlet Sediment Trap Type-A	RPISTDA
1635.02	Rock Pipe Inlet Sediment Trap Type-B	RPISTDB
1630.04	Stilling Basin	SB
1630.06	Special Stilling Basin	SSB
	Rock Inlet Sediment Trap:	
1632.01	Type A	A
1632.02	Type B	B
1632.03	Type C	C
	Skimmer Basin	SB
	Tiered Skimmer Basin	TSB
	Infiltration Basin	IB

THIS PROJECT CONTAINS
EROSION CONTROL PLANS
FOR CLEARING AND
GRUBBING PHASE OF
CONSTRUCTION.

GRAPHIC SCALE



THESE EROSION AND SEDIMENT CONTROL PLANS COMPLY WITH THE APPLICABLE REGULATIONS SET FORTH BY THE NCG-010000 GENERAL CONSTRUCTION PERMIT EFFECTIVE APRIL 1, 2019 AND ISSUED BY THE NORTH CAROLINA DEPARTMENT OF ENVIRONMENTAL QUALITY DIVISION OF WATER RESOURCES.

Prepared in the Office of:

SUNGATE DESIGN GROUP, P.A.



Designed by:

MATTHEW C. EDWARDS, EI 3992
NAME LEVEL III CERTIFICATION NO.

905 JONES FRANKLIN ROAD
RALEIGH, NORTH CAROLINA 27606
TEL (919) 859-2243
ENG FIRM LICENSE NO. C-890

Roadway Standard Drawings

The following roadway english standards as appear in "Roadway Standard Drawings"- Roadway Design Unit - N. C. Department of Transportation - Raleigh, N. C., dated January 2018 and the latest revision thereto are applicable to this project and by reference hereby are considered a part of these plans.

1604.01 Railroad Erosion Control Detail	1632.01 Rock Inlet Sediment Trap Type A
1605.01 Temporary Silt Fence	1632.02 Rock Inlet Sediment Trap Type B
1606.01 Special Sediment Control Fence	1632.03 Rock Inlet Sediment Trap Type C
1607.01 Gravel Construction Entrance	1633.01 Temporary Rock Silt Check Type A
1622.01 Temporary Berms and Slope Drains	1633.02 Temporary Rock Silt Check Type B
1630.01 Riser Basin	1634.01 Temporary Rock Sediment Dam Type A
1630.02 Silt Basin Type B	1634.02 Temporary Rock Sediment Dam Type B
1630.03 Temporary Silt Ditch	1635.01 Rock Pipe Inlet Sediment Trap Type A
1630.04 Stilling Basin	1635.02 Rock Pipe Inlet Sediment Trap Type B
1630.05 Temporary Diversion	1640.01 Coir Fiber Baffle
1630.06 Special Stilling Basin	1645.01 Temporary Stream Crossing
1631.01 Matting Installation	