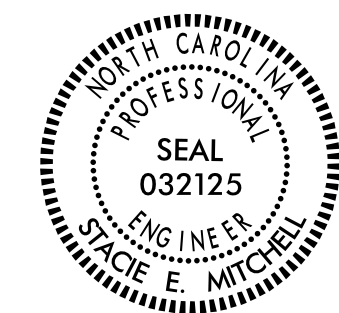
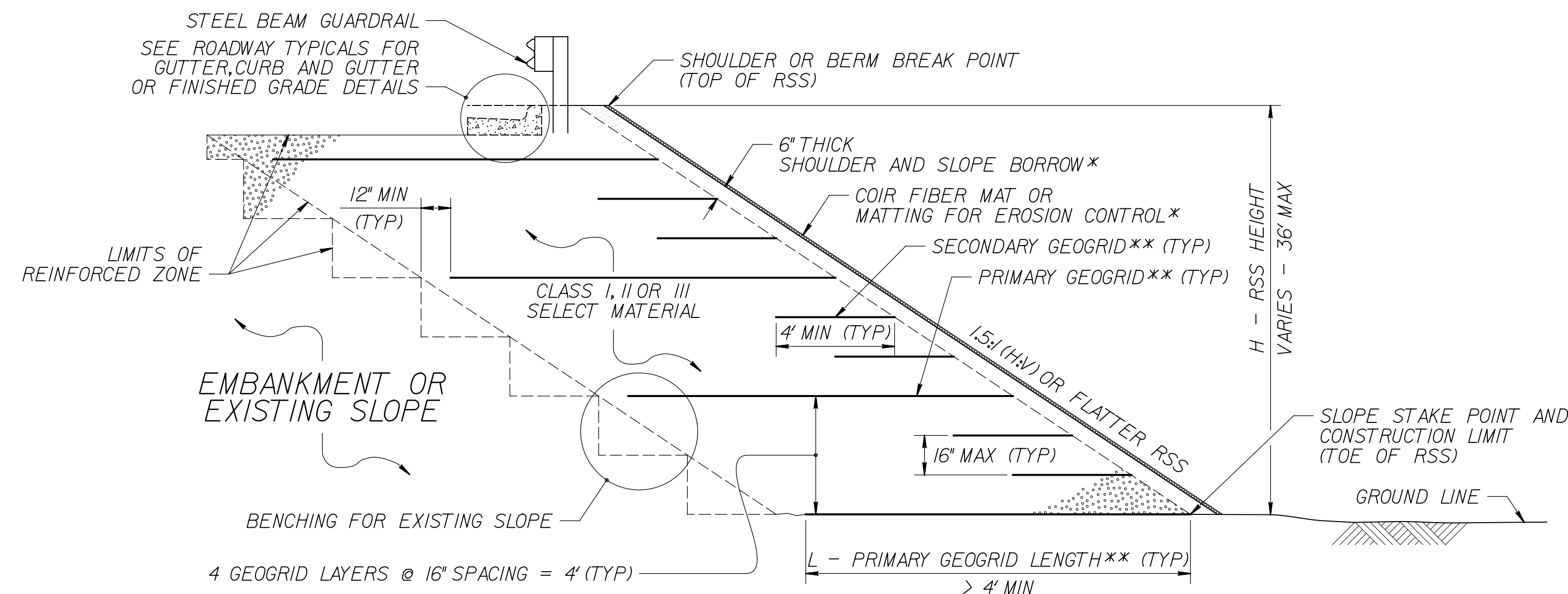


GEOTECHNICAL ENGINEER



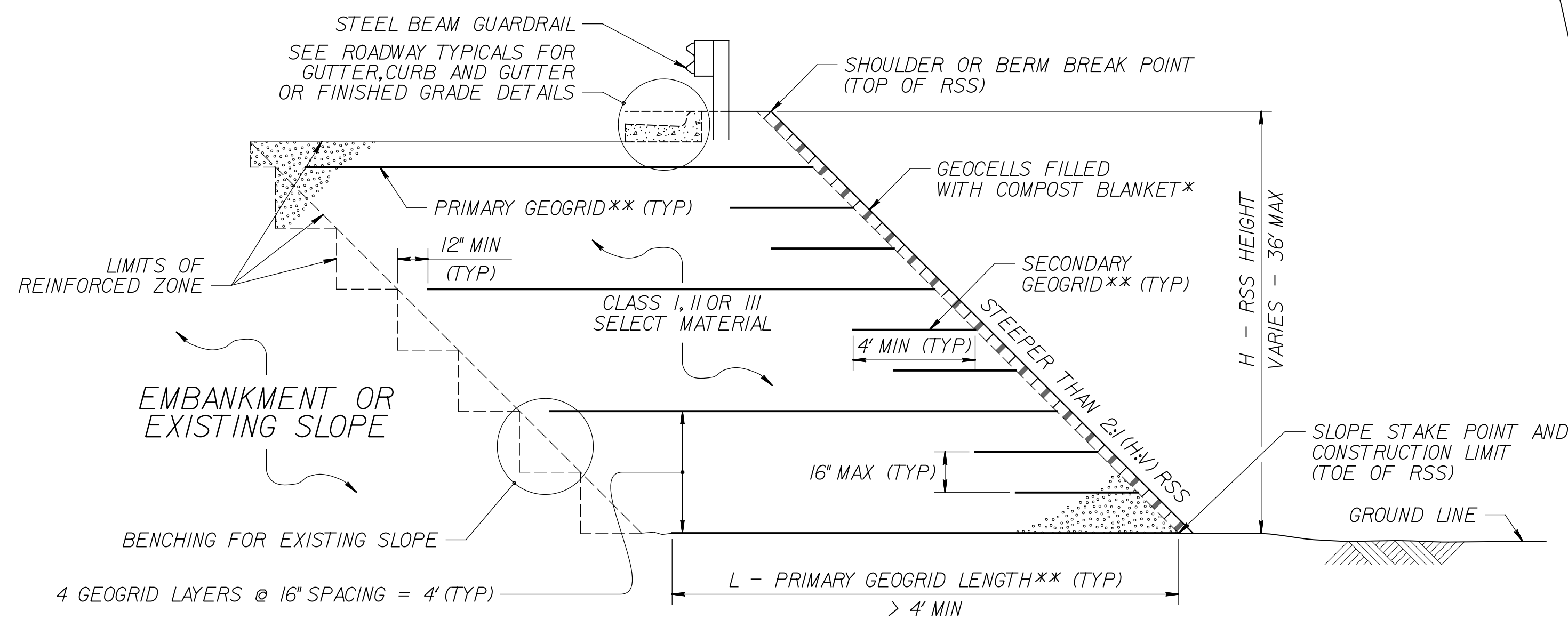
SIGNATURE DATE

DOCUMENT NOT CONSIDERED FINAL UNLESS ALL SIGNATURES COMPLETED



**MATTING WITH SHOULDER AND SLOPE BORROW**

\*SEE NOTES 3 AND 9 ON SHEET 2.

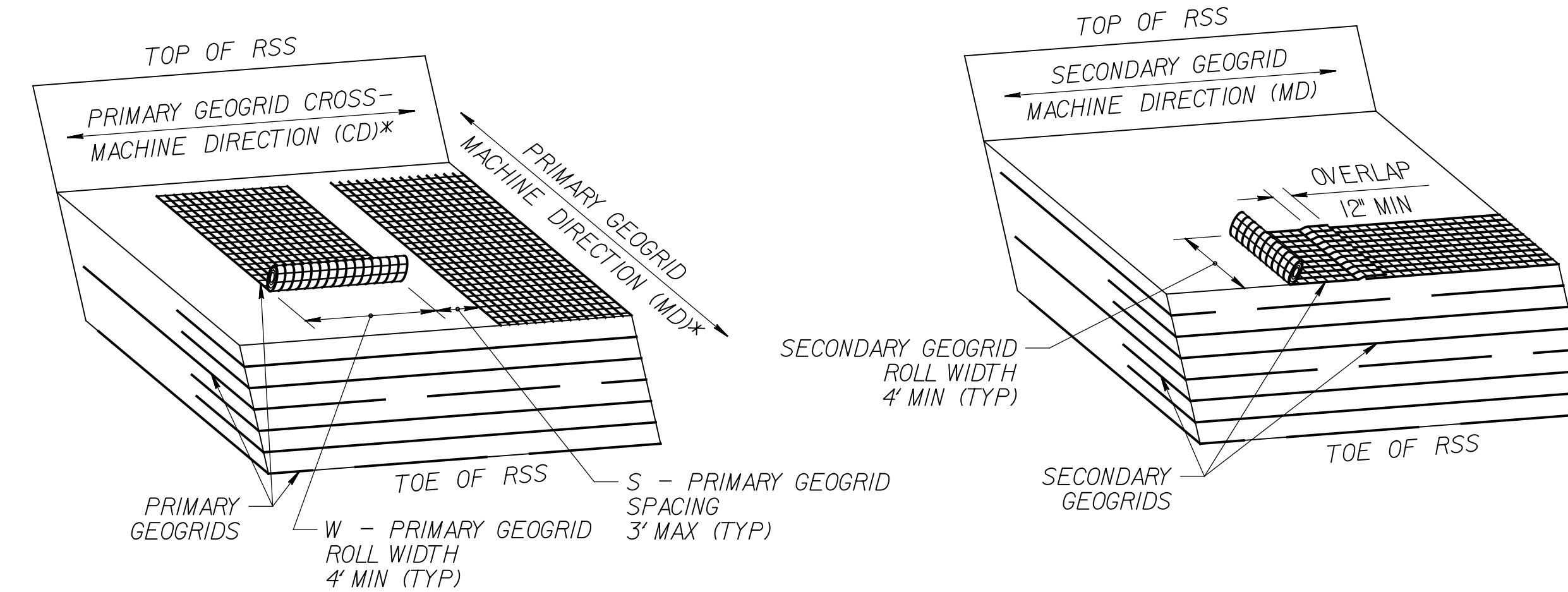


**GEOCELLS WITH COMPOST BLANKET**

\*SEE NOTES 3 AND 9 ON SHEET 2.

**NON-STANDARD REINFORCED SOIL SLOPE (RSS)**

\*\*SEE TABLE ON SHEET 2 AND GEOGRID PLACEMENT DETAILS.



**GEOGRID PLACEMENT DETAILS**

$$(\% \text{ COVERAGE} = \frac{W}{W+S} \times 100 \geq 75\%)$$

\*SEE NOTES 6 AND 7 ON SHEET 2.

NON-STANDARD DETAIL

NON-STANDARD REINFORCED SOIL SLOPE (RSS) WITH HIGH GROUNDWATER SHEET 1 OF 2