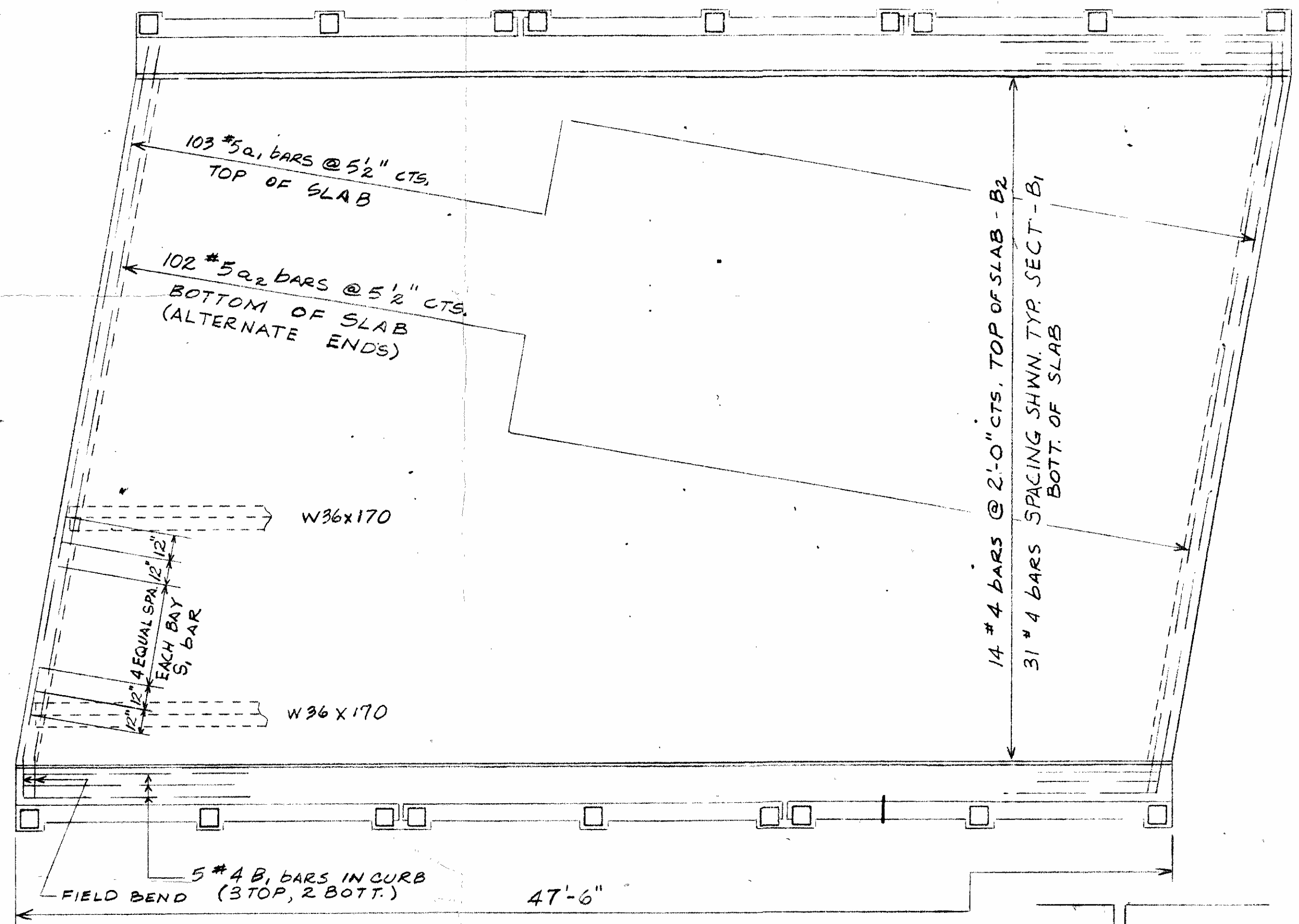
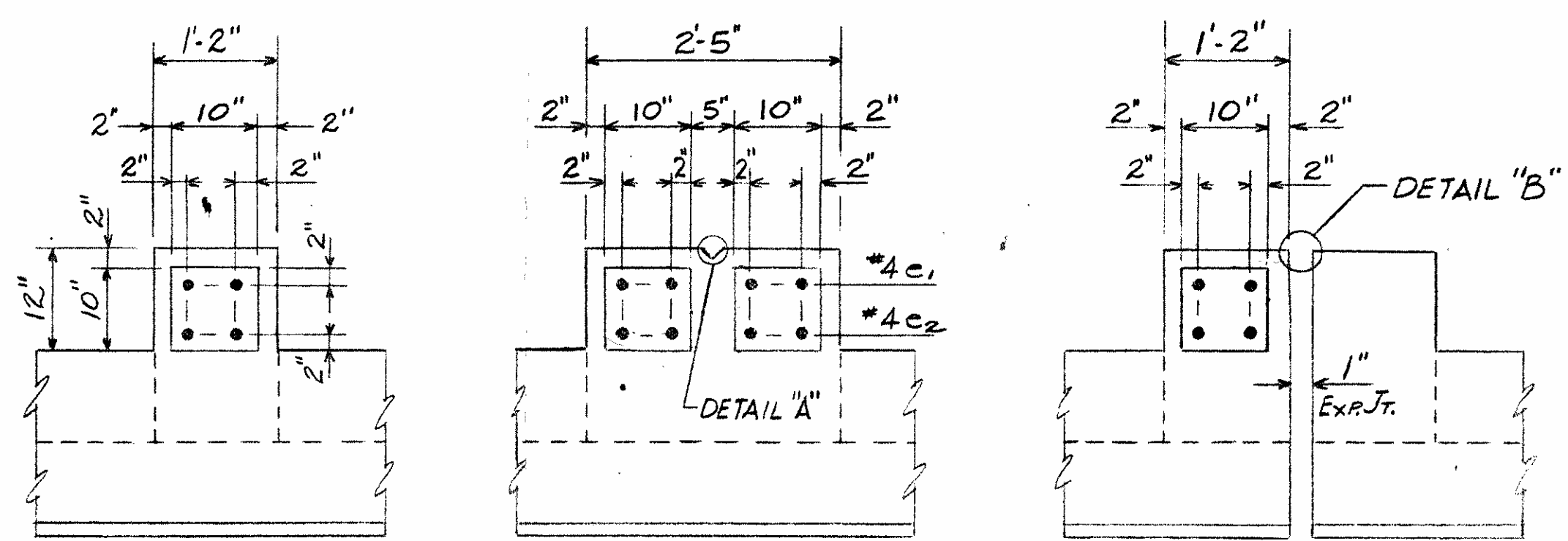
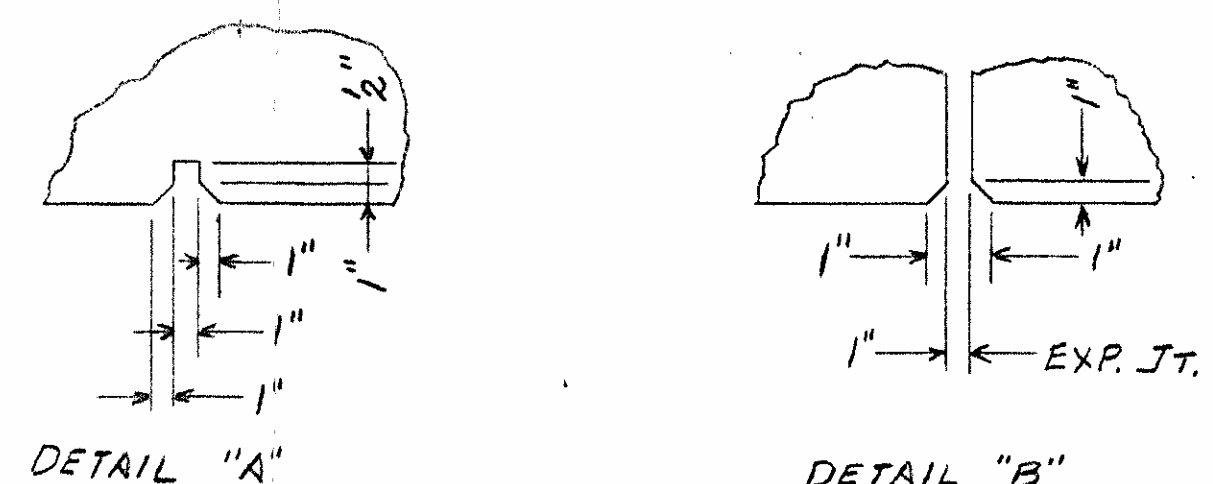
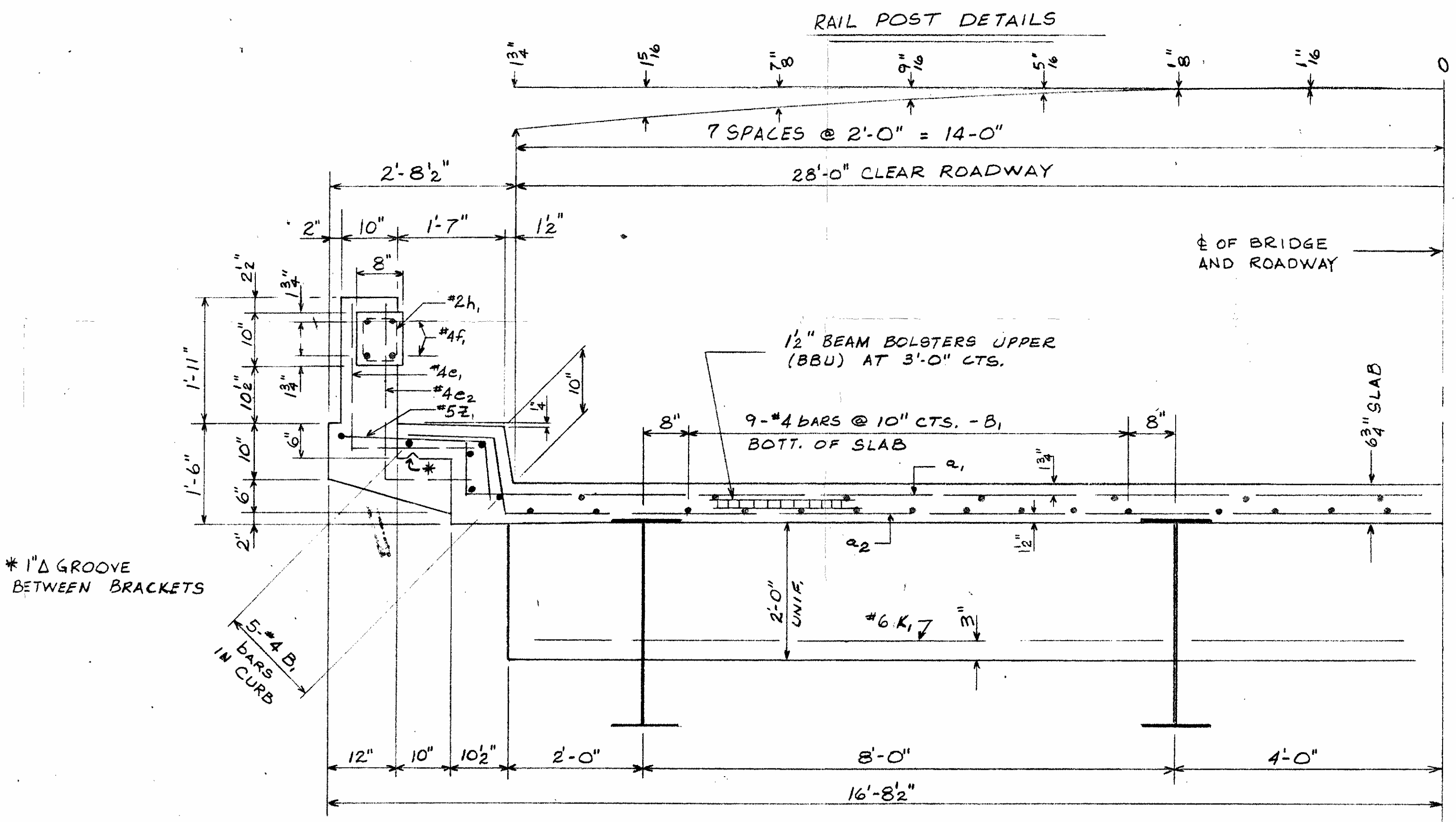


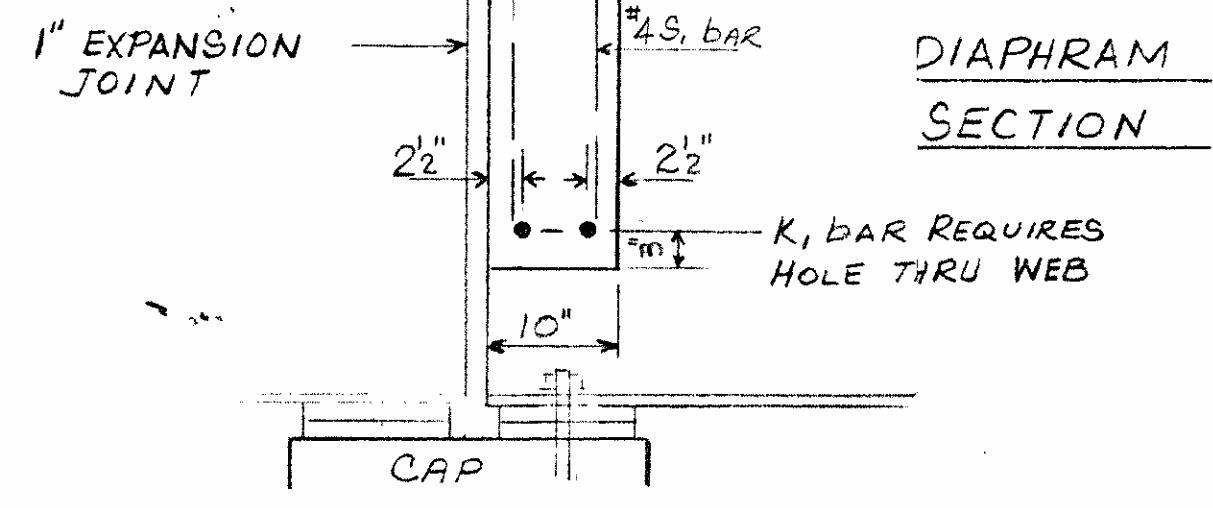
ELEVATION



PLAN



TYPICAL SECTION



SPAN "C" REPLACEMENT W.O. 5,4531-498

STATE OF NORTH CAROLINA  
DEPARTMENT OF TRANSPORTATION  
RALEIGH  
BRIDGE MAINTENANCE UNIT  
95-45-40 NB  
HARNETT CO.

REVISIONS				REVISIONS				SHEET NO. / TOTAL SHEETS
NO.	BY	DATE	NO.	BY	DATE			
1			3					
2			4					

DRAWN BY JIM RAND DATE 1-81  
CHECKED BY DATE