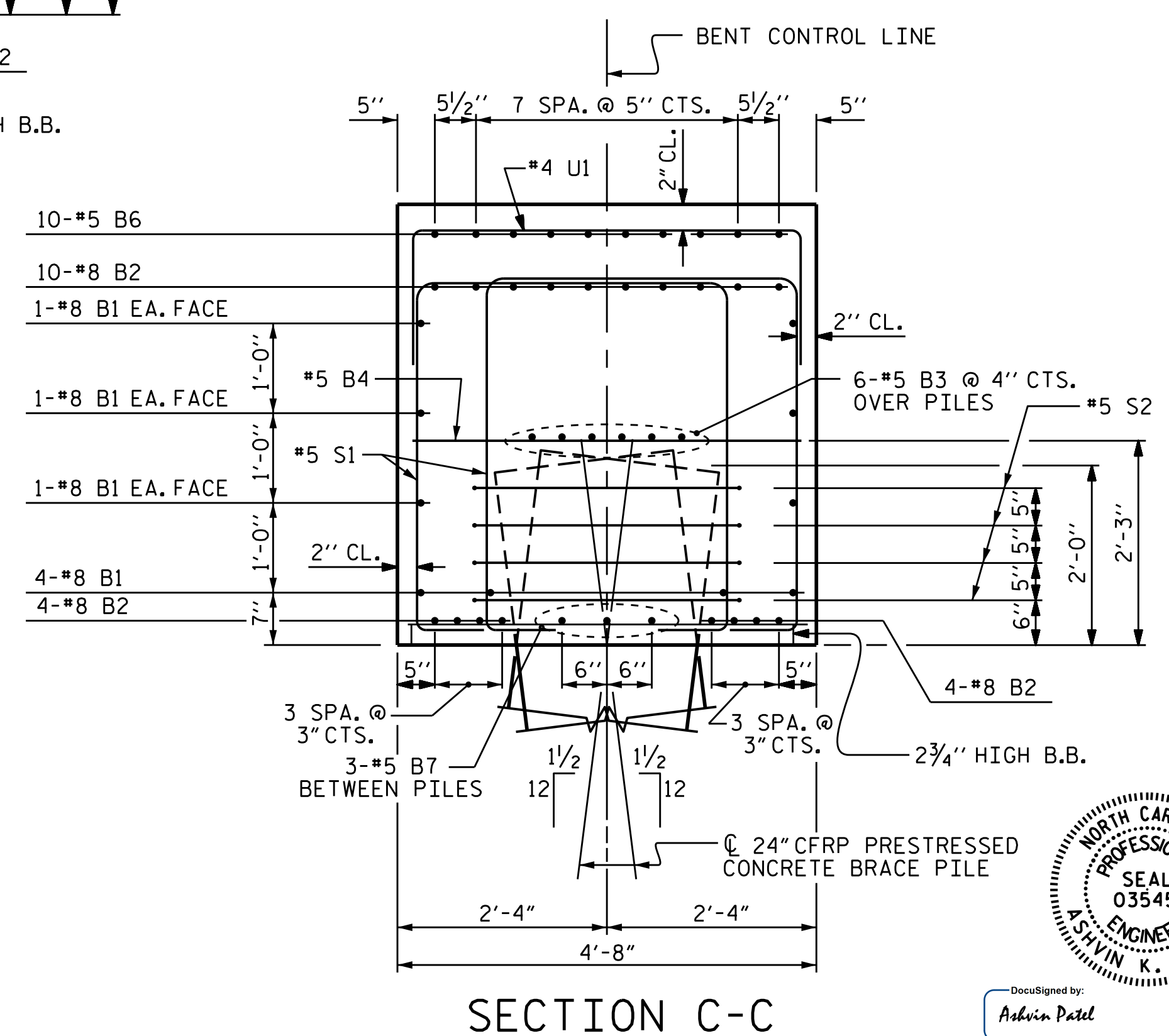
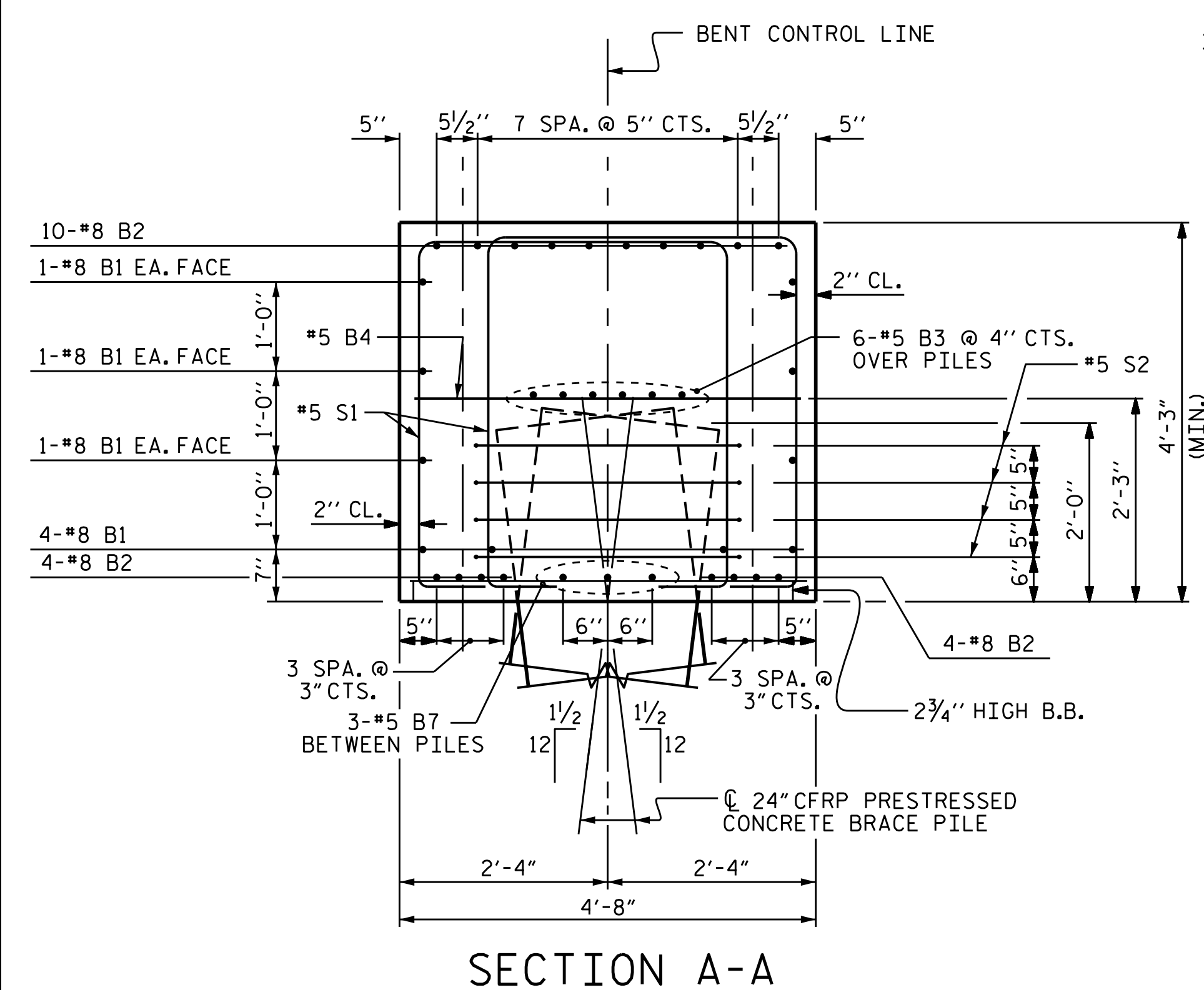
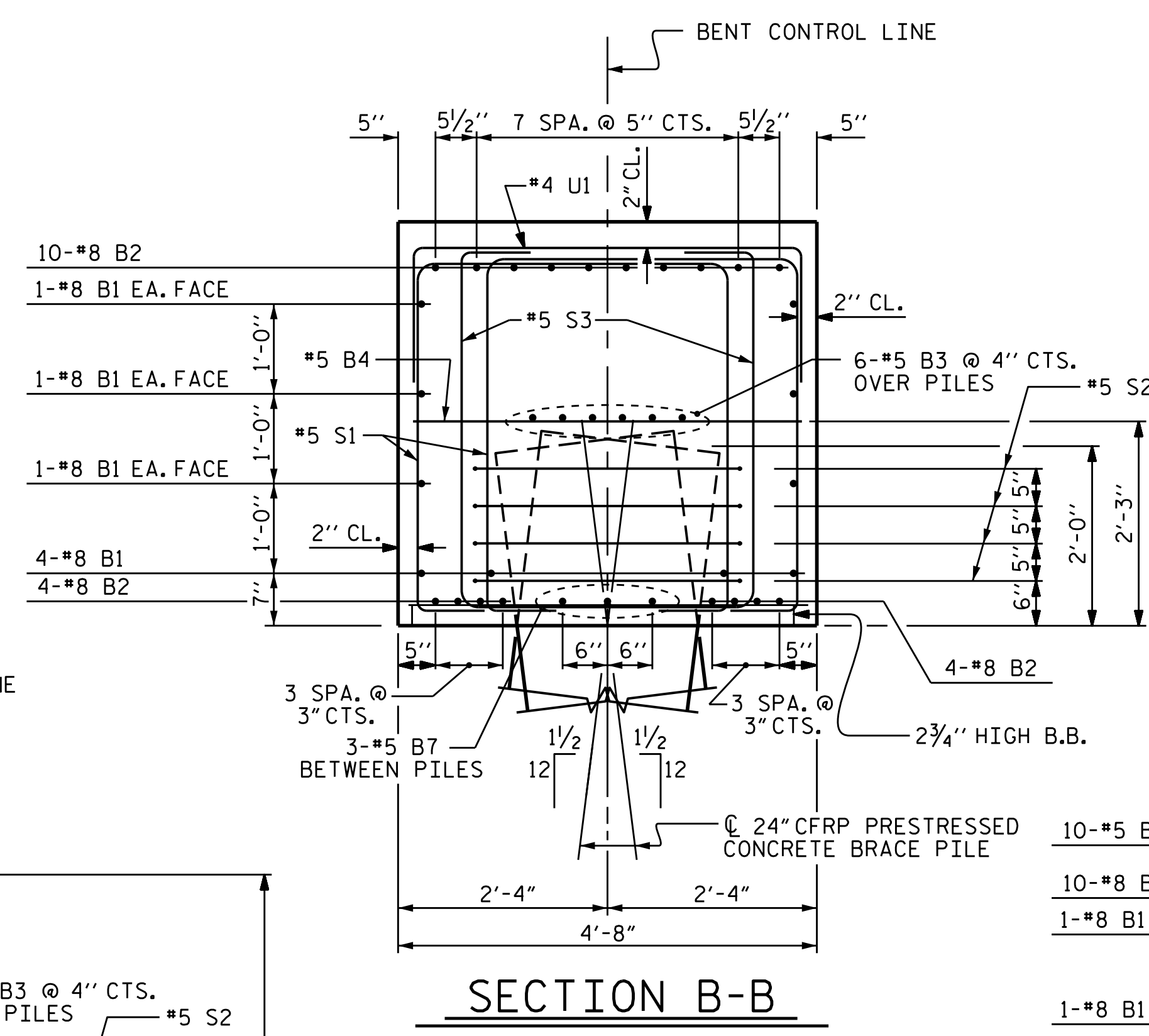
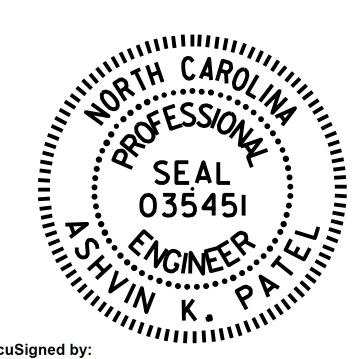


BILL OF MATERIAL					
BENT #13					
BAR	NO.	SIZE	TYPE	LENGTH	TOTAL LENGTH
B1	10	#8	STR	31'-8"	316'-8"
B2	18	#8	1	34'-2"	615'-0"
B3	6	#5	STR	31'-8"	190'-0"
B4	8	#5	STR	4'-4"	34'-8"
B5	10	#5	STR	8'-9"	87'-6"
B6	10	#5	STR	4'-9"	47'-6"
B7	15	#5	STR	3'-2"	47'-6"
S1	86	#5	4	13'-0"	1118'-0"
S2	24	#5	2	12'-3"	294'-0"
S3	8	#5	4	12'-9"	102'-0"
U1	35	#4	1	7'-4"	256'-8"
U2	2	#8	1	11'-6"	23'-0"
U3	6	#4	1	7'-2"	43'-0"
U4	2	#4	1	6'-9"	13'-6"
U5	2	#4	3	6'-2"	12'-4"
U6	2	#4	3	6'-10"	13'-8"
U7	2	#4	1	7'-5"	14'-10"
TOTAL LIN. FT. # 4 BARS					354.0
TOTAL LIN. FT. # 5 BARS					1921.2
TOTAL LIN. FT. # 8 BARS					954.7
GLASS FIBER REINFORCED POLYMER BARS				TOTAL	3229.83 LIN. FT.
CLASS AA CONCRETE BREAKDOWN					
POUR #1 CAP					23.3 C.Y.
TOTAL CLASS AA CONCRETE					23.3 C.Y.



PROJECT NO. B-4863
CARTERET COUNTY
 STATION: 34+75.00 -L-

SHEET 2 OF 2



STATE OF NORTH CAROLINA
 DEPARTMENT OF TRANSPORTATION
 RALEIGH
 SUBSTRUCTURE
 BENT #13

DRAWN BY : I.L. AVERETTE DATE : 02/2019
 CHECKED BY : A.K. PATEL DATE : 11/2019
 DESIGN ENGINEER OF RECORD: A.K. PATEL DATE : 11/2019

DOCUMENT NOT CONSIDERED FINAL UNLESS ALL SIGNATURES COMPLETED

REVISIONS						SHEET NO.
NO.	BY:	DATE:	NO.	BY:	DATE:	TOTAL SHEETS
1			3			S1-158
2			4			194