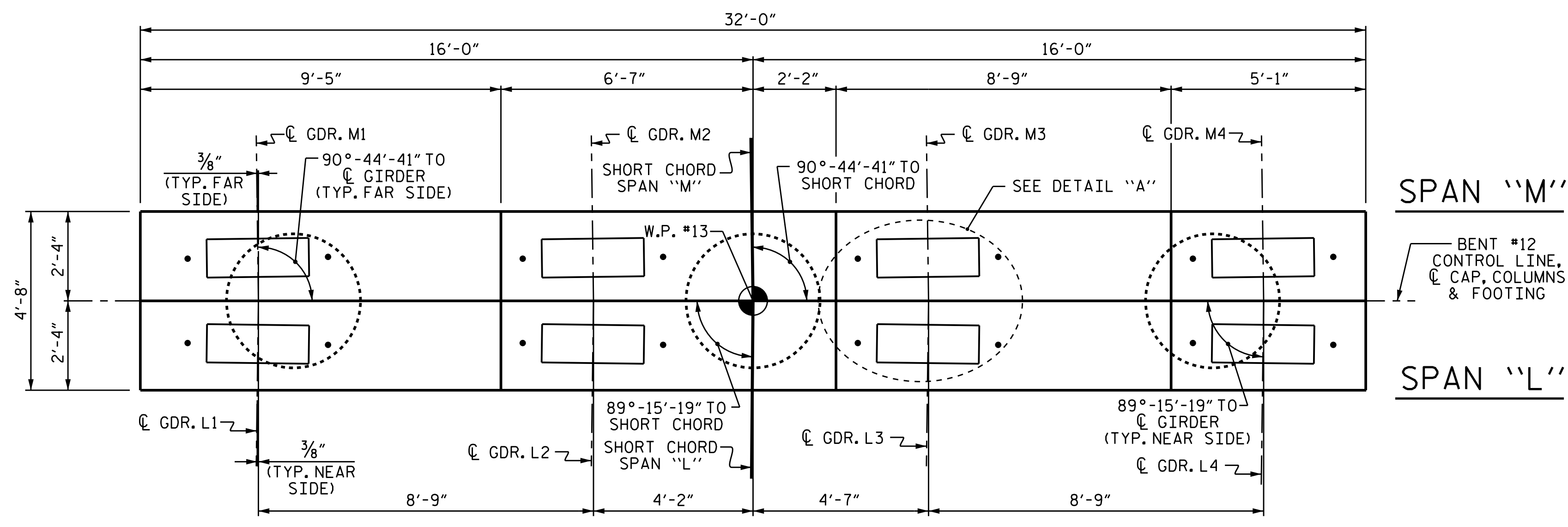
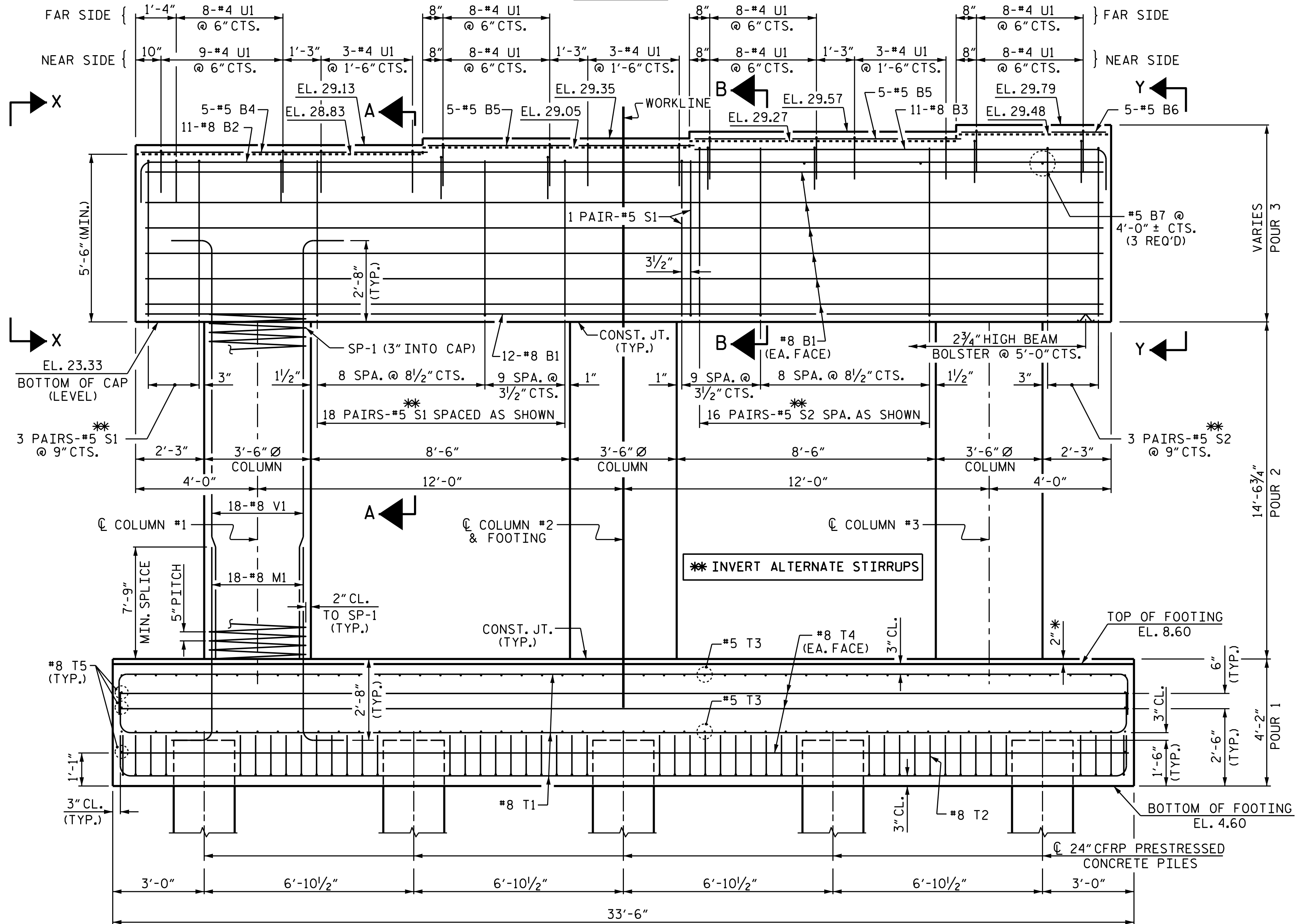


NOTES

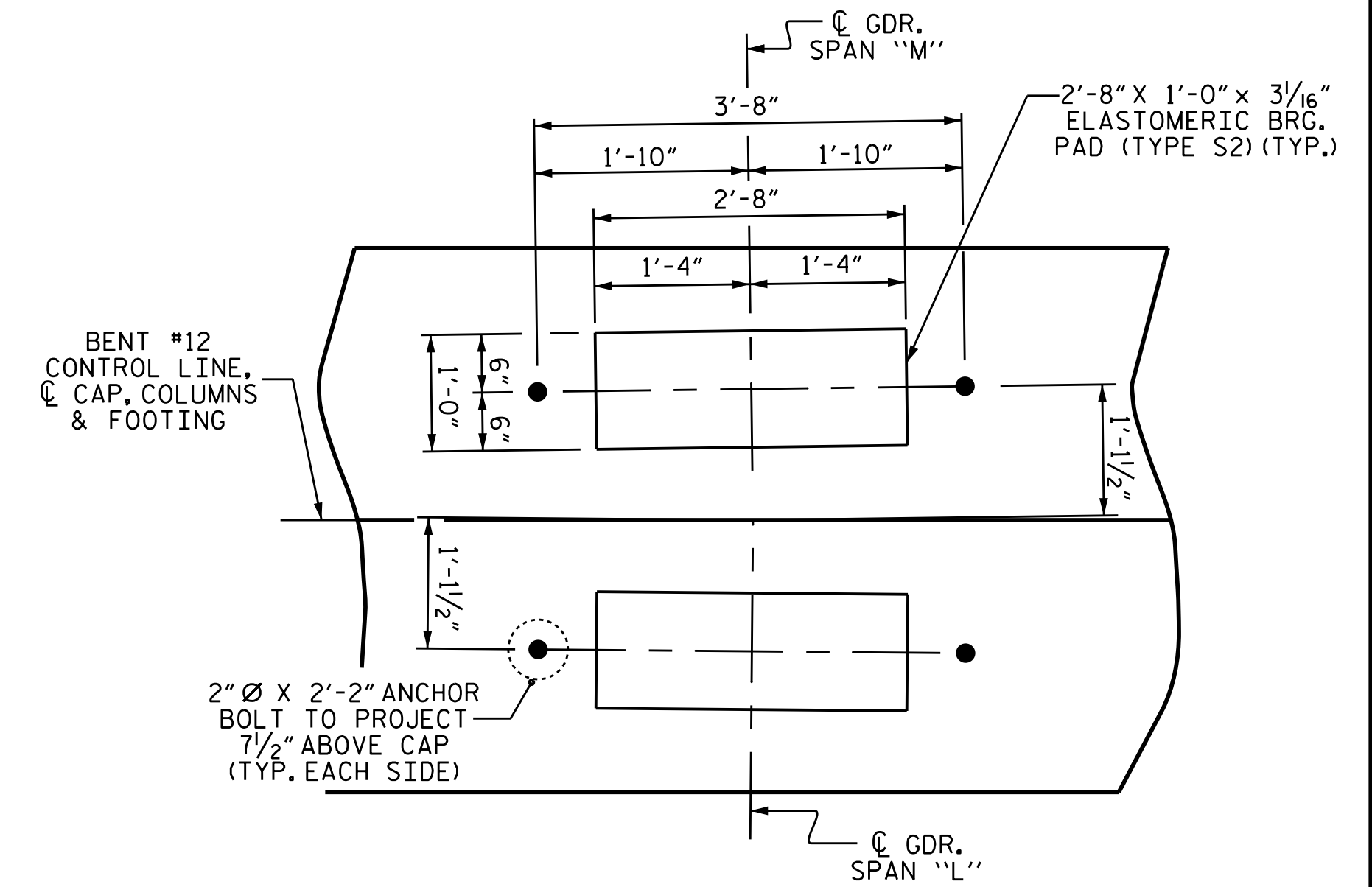
STIRRUPS AND U1 BARS IN CAP MAY BE SHIFTED AS NECESSARY TO CLEAR ANCHOR BOLTS.
 HOOKS ON "V" AND "M" BARS MAY BE TURNED AS NECESSARY FOR PLACING REINFORCING BARS.
 CONCRETE DISPLACED BY CONCRETE PILES HAS BEEN DEDUCTED FROM THE FOOTING CONCRETE QUANTITY.
 THE TOP SURFACE AREAS OF THE BENT CAP SHALL BE CURED IN ACCORDANCE WITH THE STANDARD SPECIFICATIONS EXCEPT THE MEMBRANE CURING COMPOUND METHOD SHALL NOT BE USED.
 ALL REINFORCING IN THE CAP, COLUMNS AND FOOTING IS TO BE GLASS FIBER REINFORCED POLYMER (GFRP) BARS. FOR GLASS FIBER REINFORCED POLYMER BARS, SEE SPECIAL PROVISIONS.
 * THE FOOTING HAS A DROP OF 2" FROM THE CENTER OF THE FOOTING TO THE EDGE OF THE FOOTING TO ACCOMMODATE DRAINAGE.



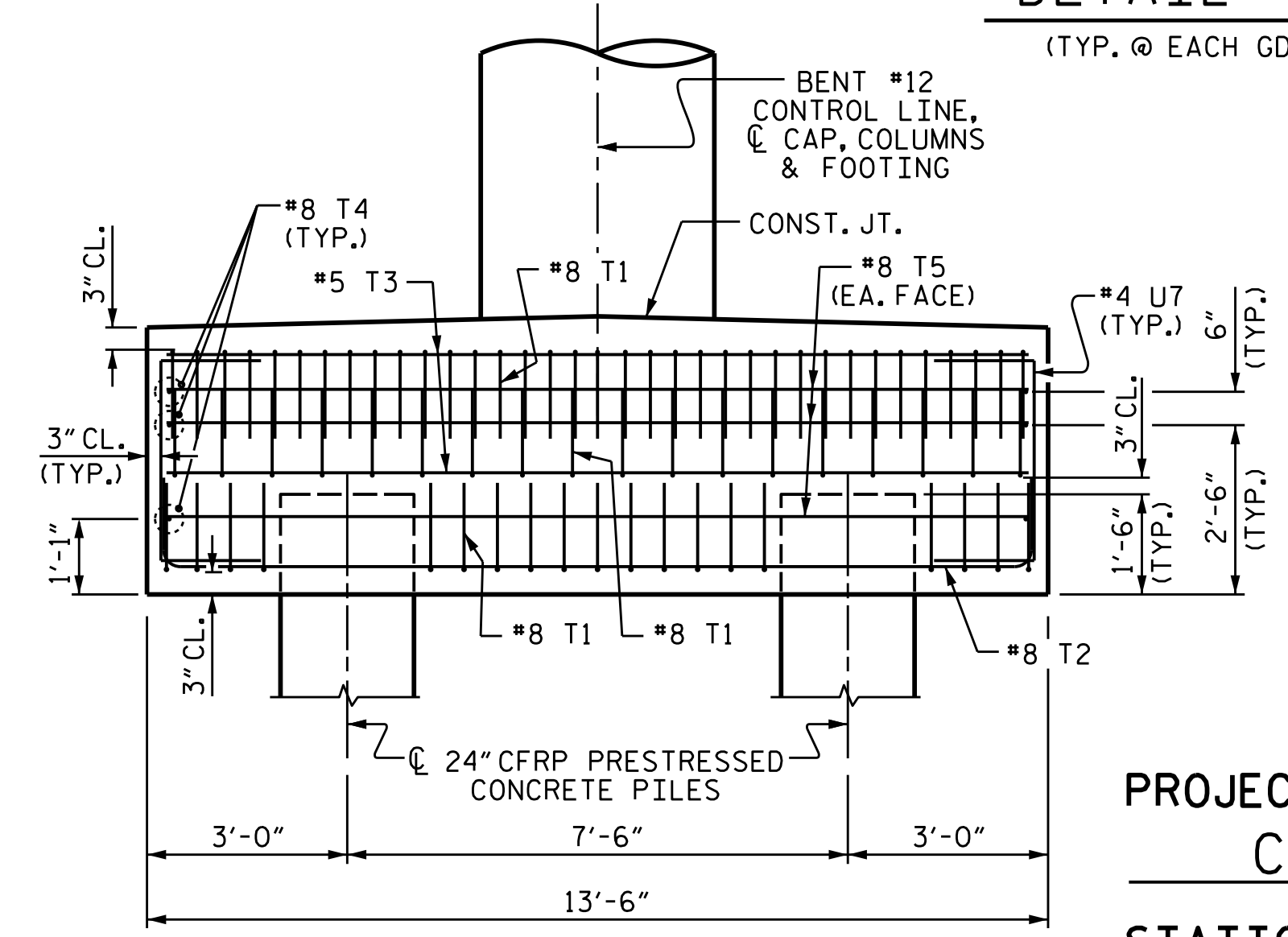
PLAN



ELEVATION



DETAIL "A"
(TYP. @ EACH GDR.)

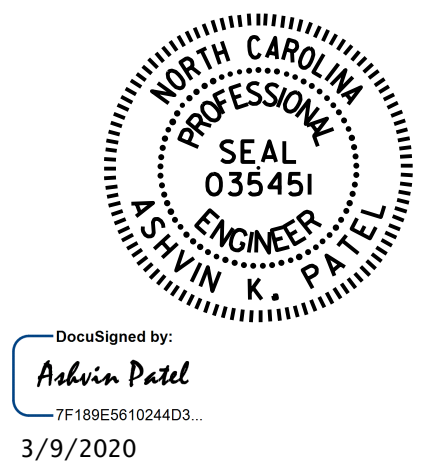


PARTIAL END ELEVATION
SEE ELEVATION FOR COLUMN REINFORCING BARS

PROJECT NO. B-4863
CARTERET COUNTY
 STATION: 34+75.00 -L-

SHEET 1 OF 3

STATE OF NORTH CAROLINA DEPARTMENT OF TRANSPORTATION RALEIGH					
SUBSTRUCTURE BENT #12					
SHEET NO. S1-154 TOTAL SHEETS 194					
REVISIONS					
NO.	BY:	DATE:	NO.	BY:	DATE:
1			3		
2			4		



DRAWN BY : I.L. AVERETTE DATE : 02/2019
 CHECKED BY : A.K. PATEL DATE : 04/2019
 DESIGN ENGINEER OF RECORD : A.K. PATEL DATE : 04/2019

REINFORCING BAR DIMENSIONS AND DETAILS ARE TYPICAL FOR EACH COLUMN
 FOR ADDITIONAL REINFORCING BARS IN ENDS OF CAP, SEE END VIEW ON SHEET 3 OF 3
 *#4 U7 BARS IN FOOTING NOT SHOWN, SEE SHEET 2 OF 3