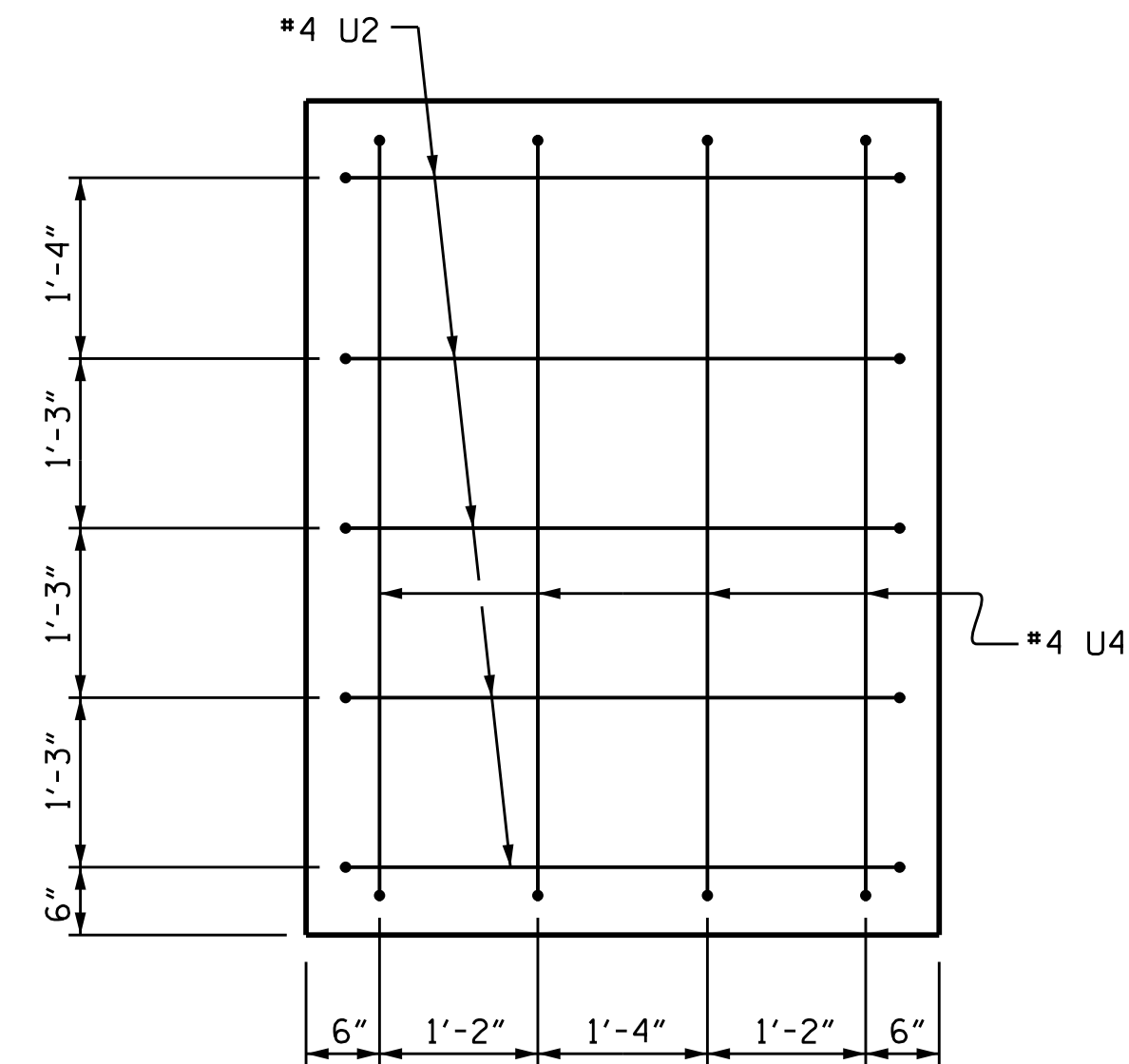
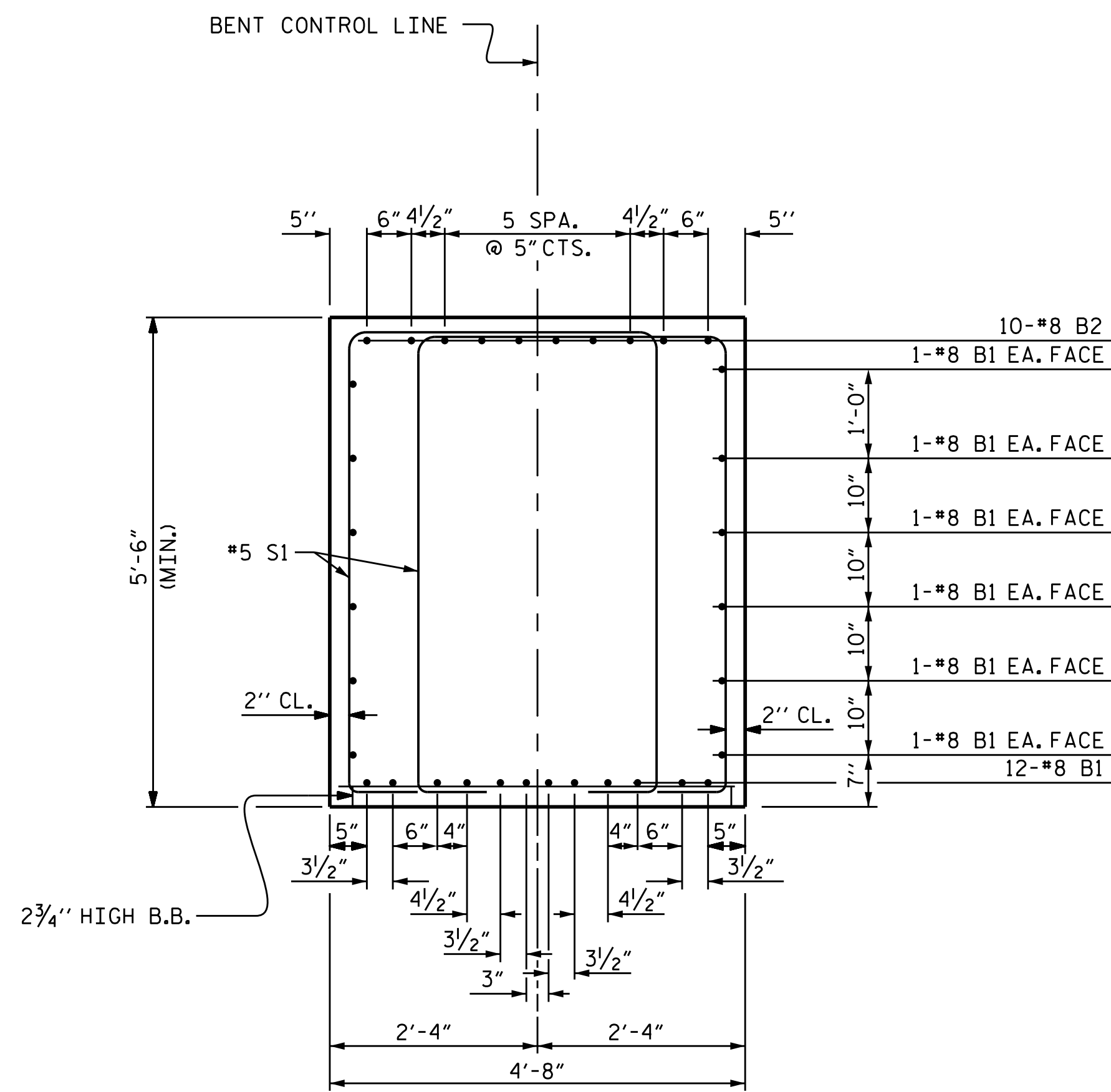


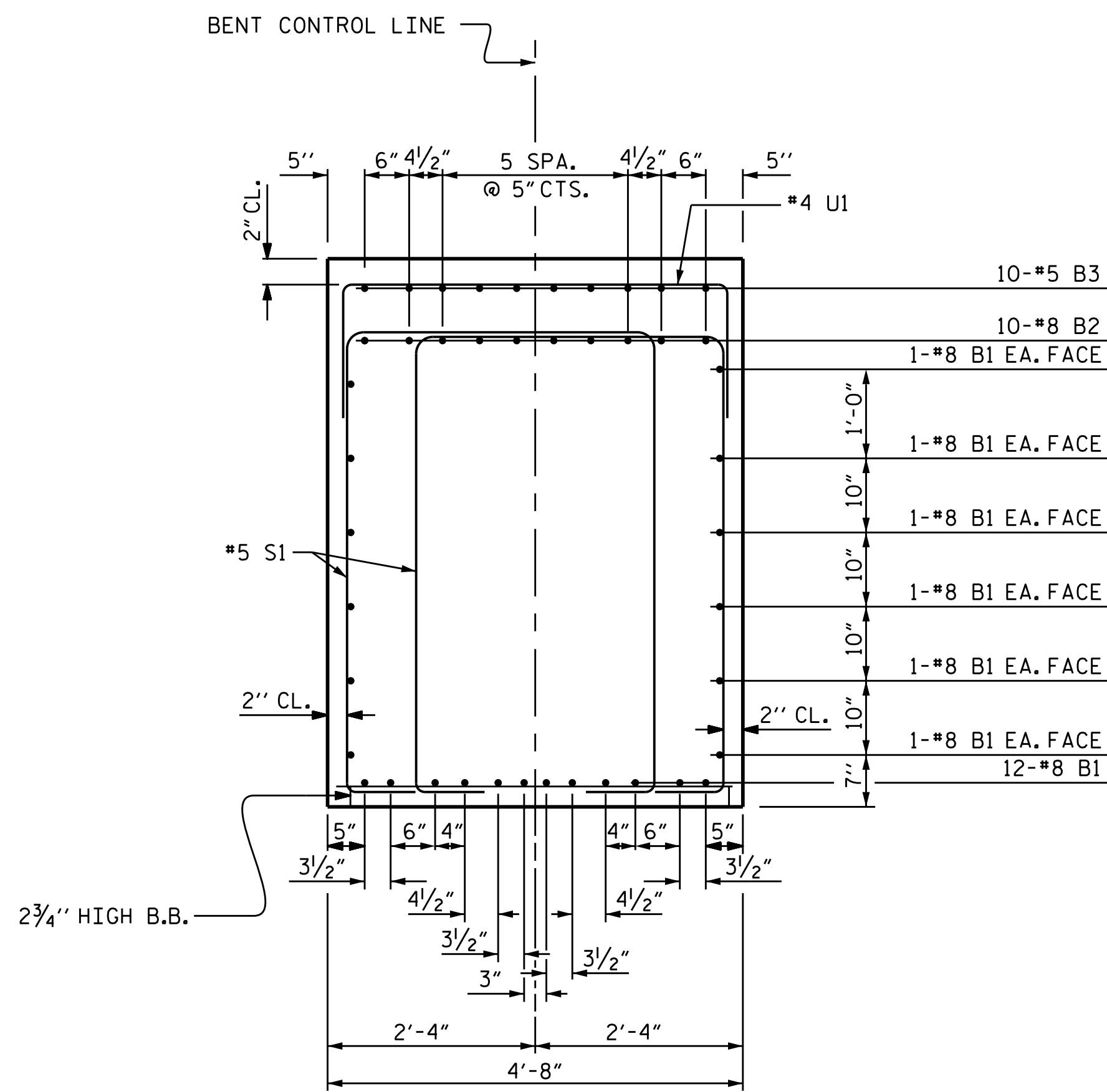
VIEW X-X



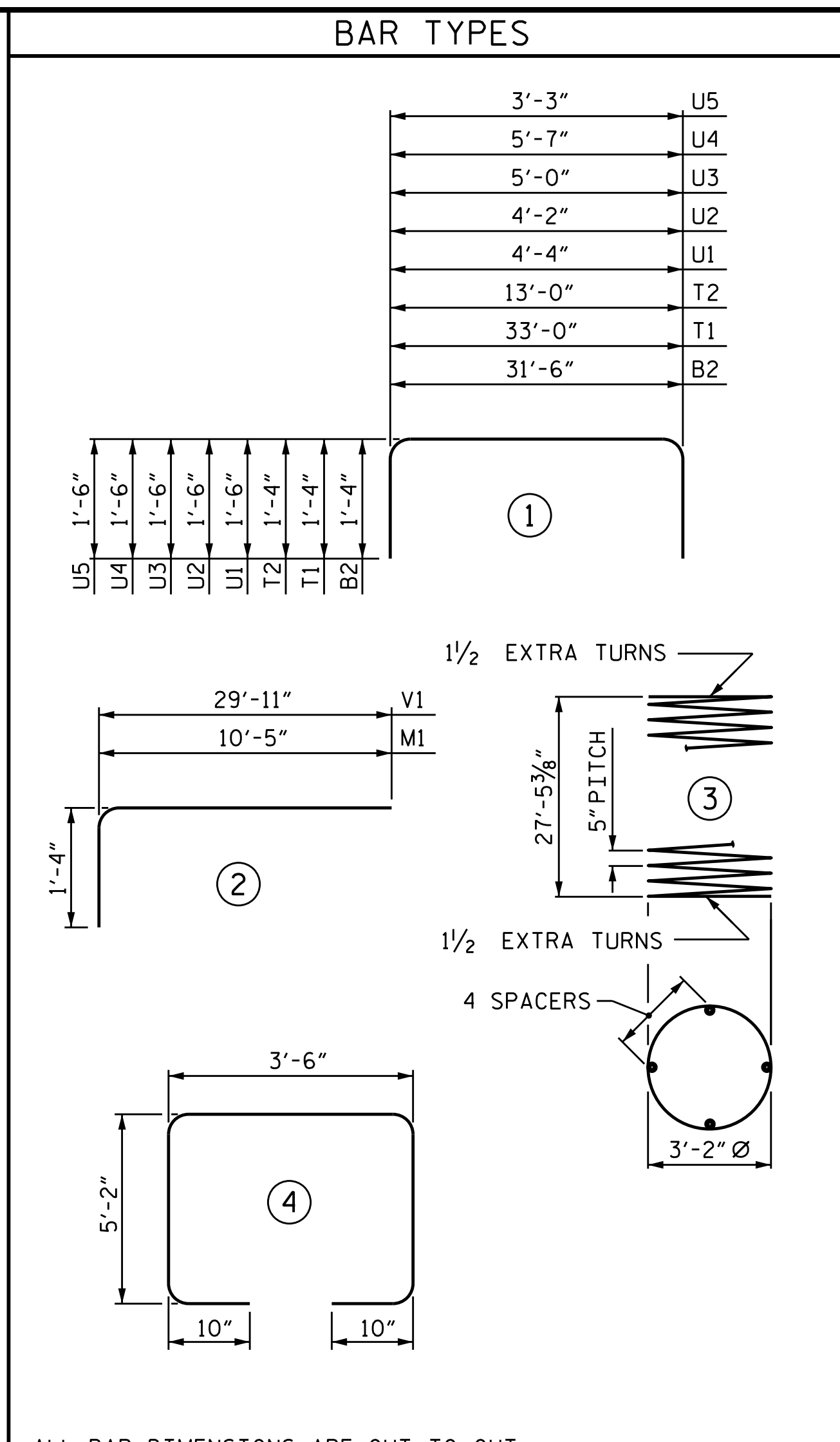
VIEW Y-Y



SECTION A-A



SECTION B-B



ALL BAR DIMENSIONS ARE OUT TO OUT.

BILL OF MATERIAL

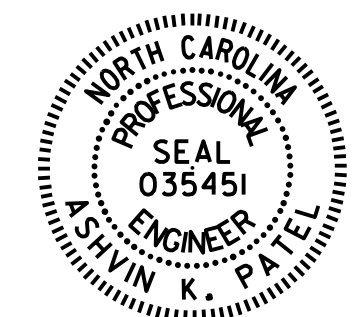
BENT #10

BAR	NO.	SIZE	TYPE	LENGTH	TOTAL LENGTH
B1	24	#8	STR	31'-8"	760'-0"
B2	10	#8		34'-2"	341'-8"
B3	10	#5	STR	8'-9"	87'-6"
B4	10	#5	STR	4'-9"	47'-6"
M1	54	#8	2	11'-9"	634'-6"
S1	84	#5	4	15'-6"	1302'-0"
T1	72	#8	1	35'-8"	2568'-0"
T2	48	#8	1	15'-8"	752'-0"
T3	102	#5	STR	13'-0"	1326'-0"
T4	6	#8	STR	33'-0"	198'-0"
T5	6	#8	STR	13'-0"	78'-0"
U1	35	#4	1	7'-4"	256'-8"
U2	9	#4	1	7'-2"	64'-6"
U3	4	#4	1	8'-0"	32'-0"
U4	4	#4	1	8'-7"	34'-4"
U5	54	#4	1	6'-3"	337'-6"
V1	54	#8	2	31'-3"	1687'-6"
SP-1	3	#5	3	684'-9"	2054'-3"

TOTAL LIN. FT. # 4 BARS 693.0
 TOTAL LIN. FT. # 5 BARS 4849.3
 TOTAL LIN. FT. # 8 BARS 7019.7
 GLASS FIBER REINFORCED POLYMER BARS TOTAL 12561.92 LIN. FT.

CLASS AA CONCRETE BREAKDOWN
 POUR #1 FOOTING 66.2 C.Y.
 POUR #2 COLUMNS 29.1 C.Y.
 POUR #3 CAP 32.0 C.Y.
 TOTAL CLASS AA CONCRETE 127.3 C.Y.

PROJECT NO. B-4863
CARTERET COUNTY
 STATION: 34+75.00 -L-
 SHEET 3 OF 3



DocuSigned by:
 Ashwin Patel
 7F180E5610244D3
 4/16/2021

STATE OF NORTH CAROLINA
 DEPARTMENT OF TRANSPORTATION
 RALEIGH
 SUBSTRUCTURE
 BENT #10

DRAWN BY : I.L. AVERETTE DATE : 02/2019
 CHECKED BY : A.K. PATEL DATE : 04/2019
 DESIGN ENGINEER OF RECORD: A.K. PATEL DATE : 04/2019

DOCUMENT NOT CONSIDERED
 FINAL UNLESS ALL
 SIGNATURES COMPLETED

REVISIONS						SHEET NO.
NO.	BY:	DATE:	NO.	BY:	DATE:	TOTAL SHEETS
1			3			S1-150
2			4			194