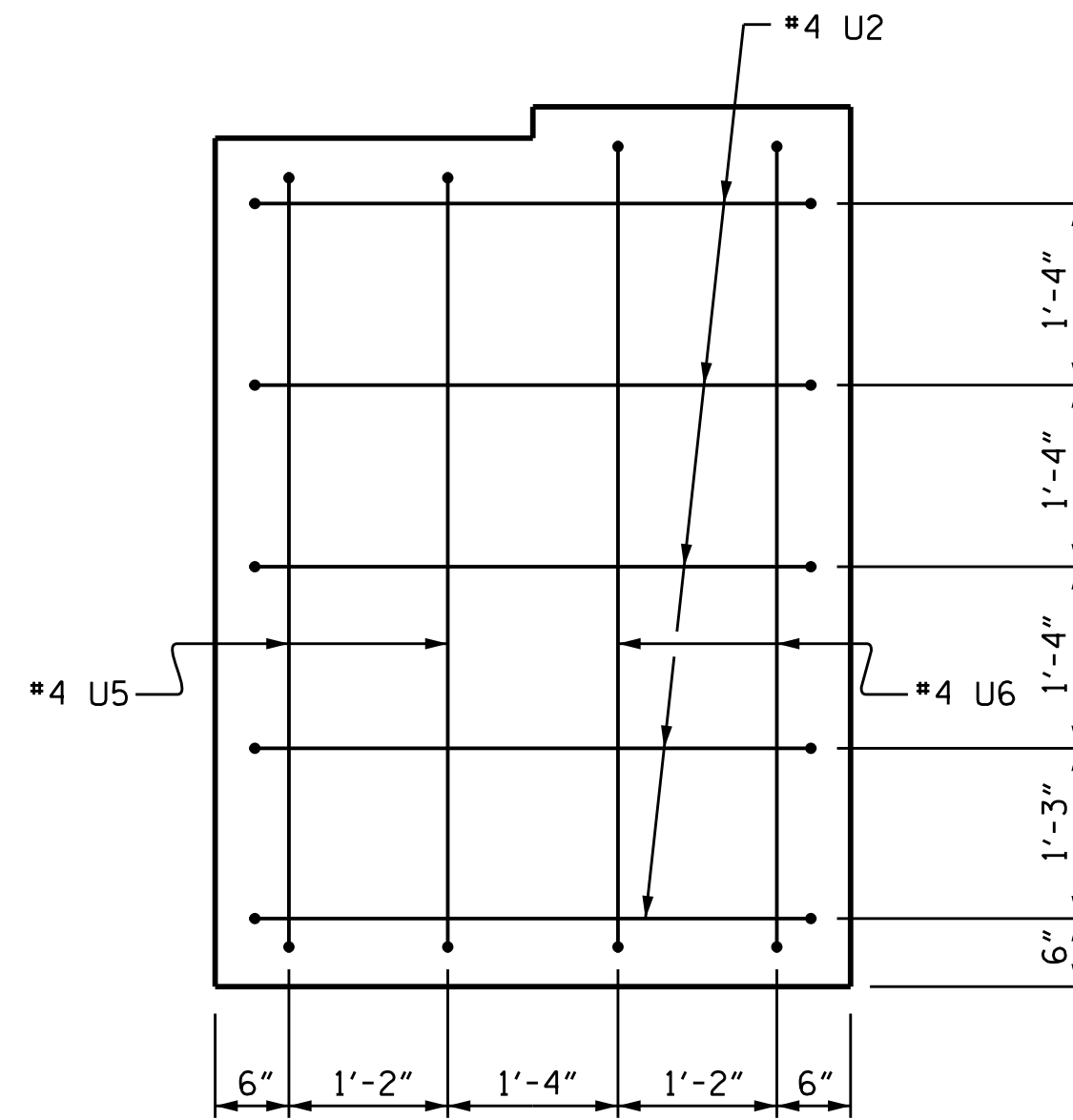
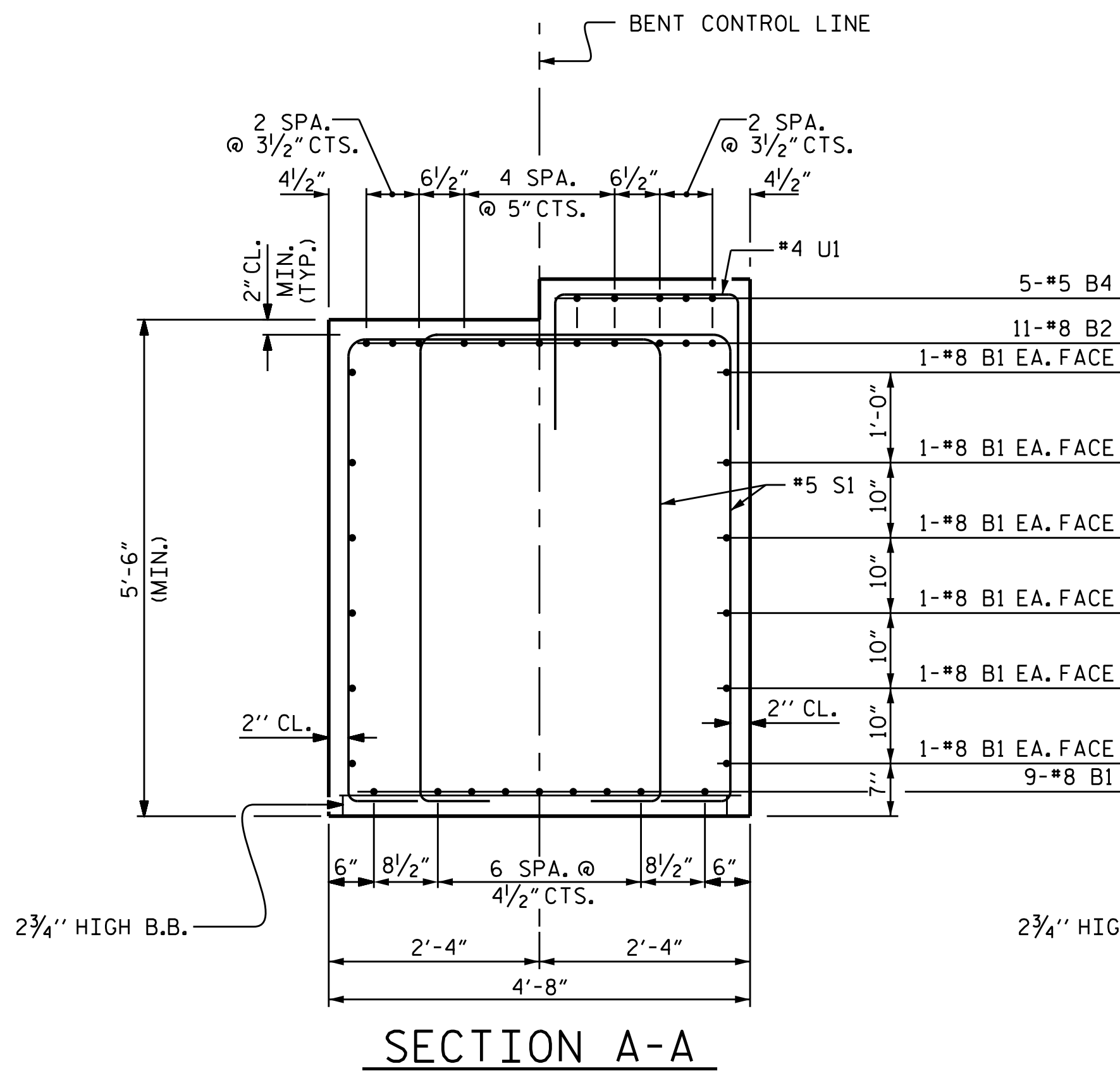


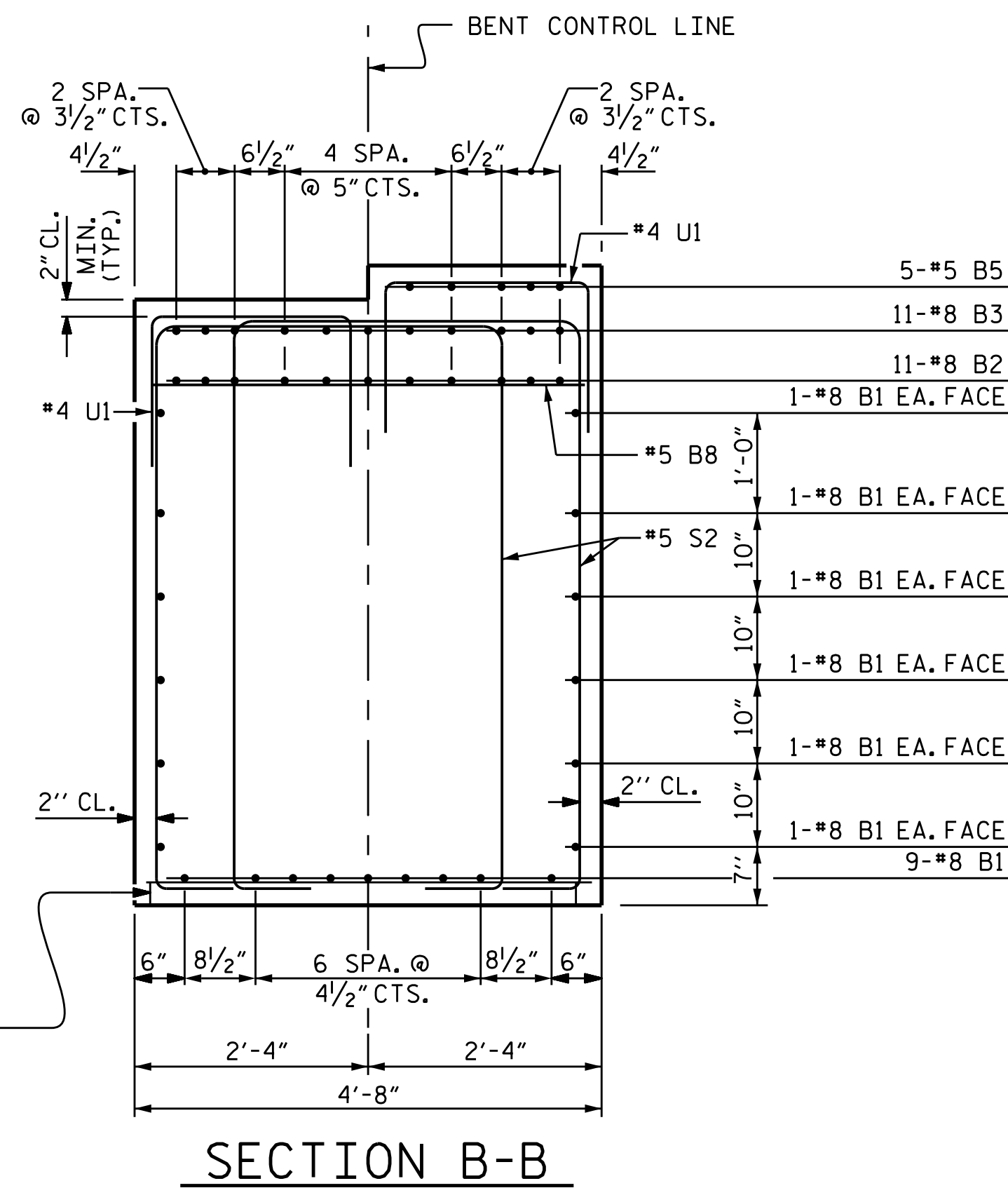
VIEW X-X



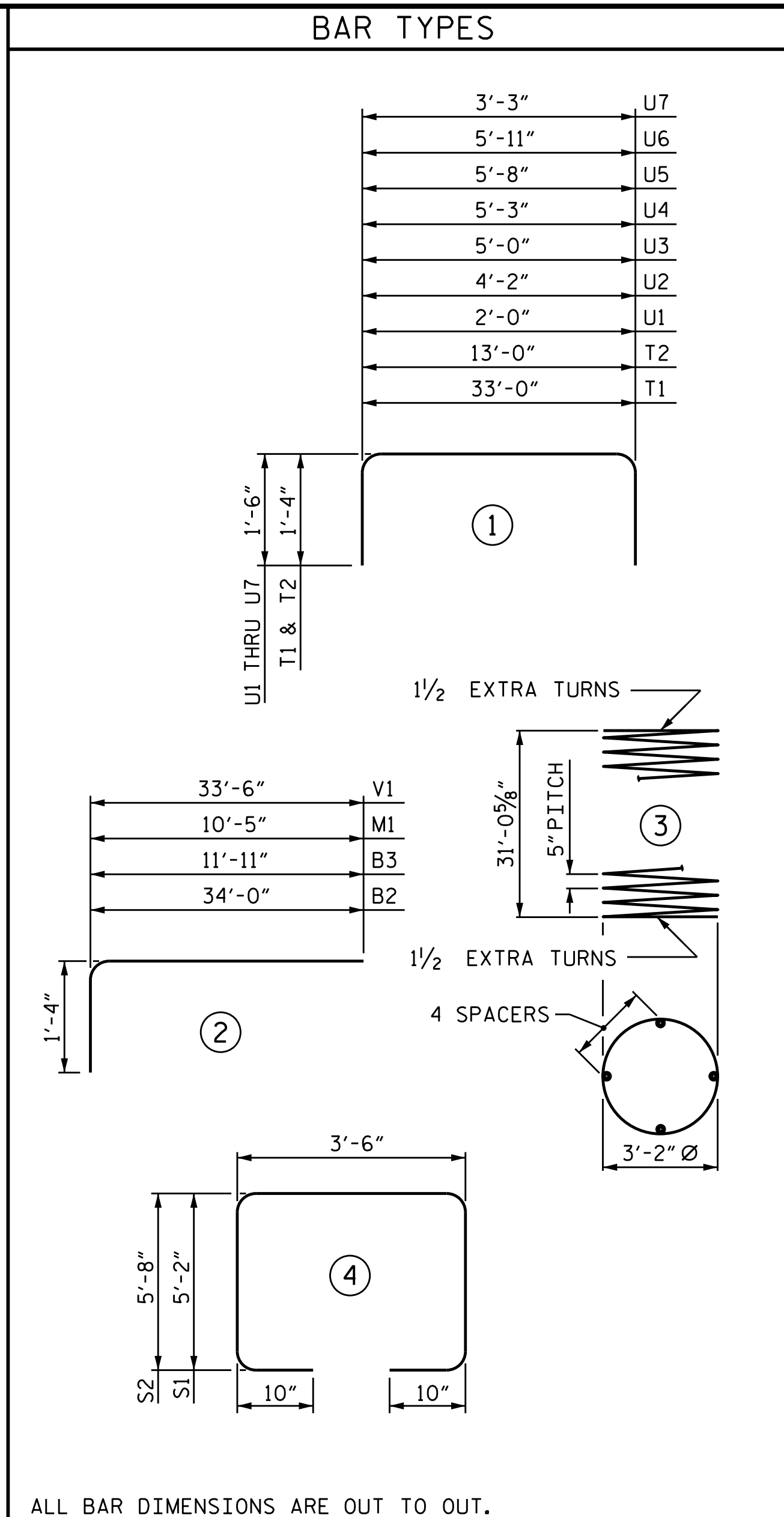
VIEW Y-Y



SECTION A-A

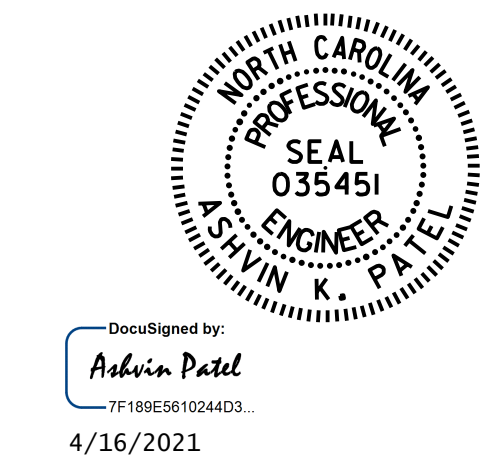


SECTION B-B



BILL OF MATERIAL					
BENT #9					
BAR	NO.	SIZE	TYPE	LENGTH	TOTAL LENGTH
B1	21	#8	STR	34'-0"	714'-0"
B2	11	#8	2	35'-4"	388'-8"
B3	11	#8	2	13'-3"	145'-9"
B4	5	#5	STR	10'-5"	52'-1"
B5	10	#5	STR	8'-9"	87'-6"
B6	5	#5	STR	6'-0"	30'-0"
B7	5	#5	STR	7'-3"	36'-3"
B8	3	#5	STR	4'-4"	13'-0"
M1	66	#8	2	11'-9"	775'-6"
S1	54	#5	4	15'-6"	837'-0"
S2	30	#5	4	16'-6"	495'-0"
T1	72	#8	1	35'-8"	2568'-0"
T2	48	#8	1	15'-8"	752'-0"
T3	102	#5	STR	13'-0"	1326'-0"
T4	6	#8	STR	33'-0"	198'-0"
T5	6	#8	STR	13'-0"	78'-0"
U1	94	#4	1	5'-0"	470'-0"
U2	9	#4	1	7'-2"	64'-6"
U3	2	#4	1	8'-0"	16'-0"
U4	2	#4	1	8'-3"	16'-6"
U5	2	#4	1	8'-8"	17'-4"
U6	2	#4	1	8'-11"	17'-10"
U7	54	#4	1	6'-3"	337'-6"
V1	66	#8	2	34'-10"	2299'-0"
SP-1	3	#5	3	769'-7"	2308'-9"
TOTAL LIN. FT. # 4 BARS					939.7
TOTAL LIN. FT. # 5 BARS					5185.6
TOTAL LIN. FT. # 8 BARS					7918.9
GLASS FIBER REINFORCED POLYMER BARS					TOTAL 14044.17 LIN. FT.
CLASS AA CONCRETE BREAKDOWN					
POUR #1 FOOTING					66.2 C.Y.
POUR #2 COLUMNS					33.0 C.Y.
POUR #3 CAP					35.4 C.Y.
TOTAL CLASS AA CONCRETE					134.6 C.Y.

PROJECT NO. B-4863  
CARTERET COUNTY  
 STATION: 34+75.00 -L-  
 SHEET 3 OF 3



STATE OF NORTH CAROLINA  
 DEPARTMENT OF TRANSPORTATION  
 RALEIGH  
 SUBSTRUCTURE  
 BENT #9

DRAWN BY : I.L. AVERETTE DATE : 02/2019  
 CHECKED BY : A.K. PATEL DATE : 04/2019  
 DESIGN ENGINEER OF RECORD: A.K. PATEL DATE : 04/2019

DOCUMENT NOT CONSIDERED FINAL UNLESS ALL SIGNATURES COMPLETED

REVISIONS						SHEET NO.
NO.	BY:	DATE:	NO.	BY:	DATE:	S1-147
1			3			TOTAL SHEETS 194
2			4			