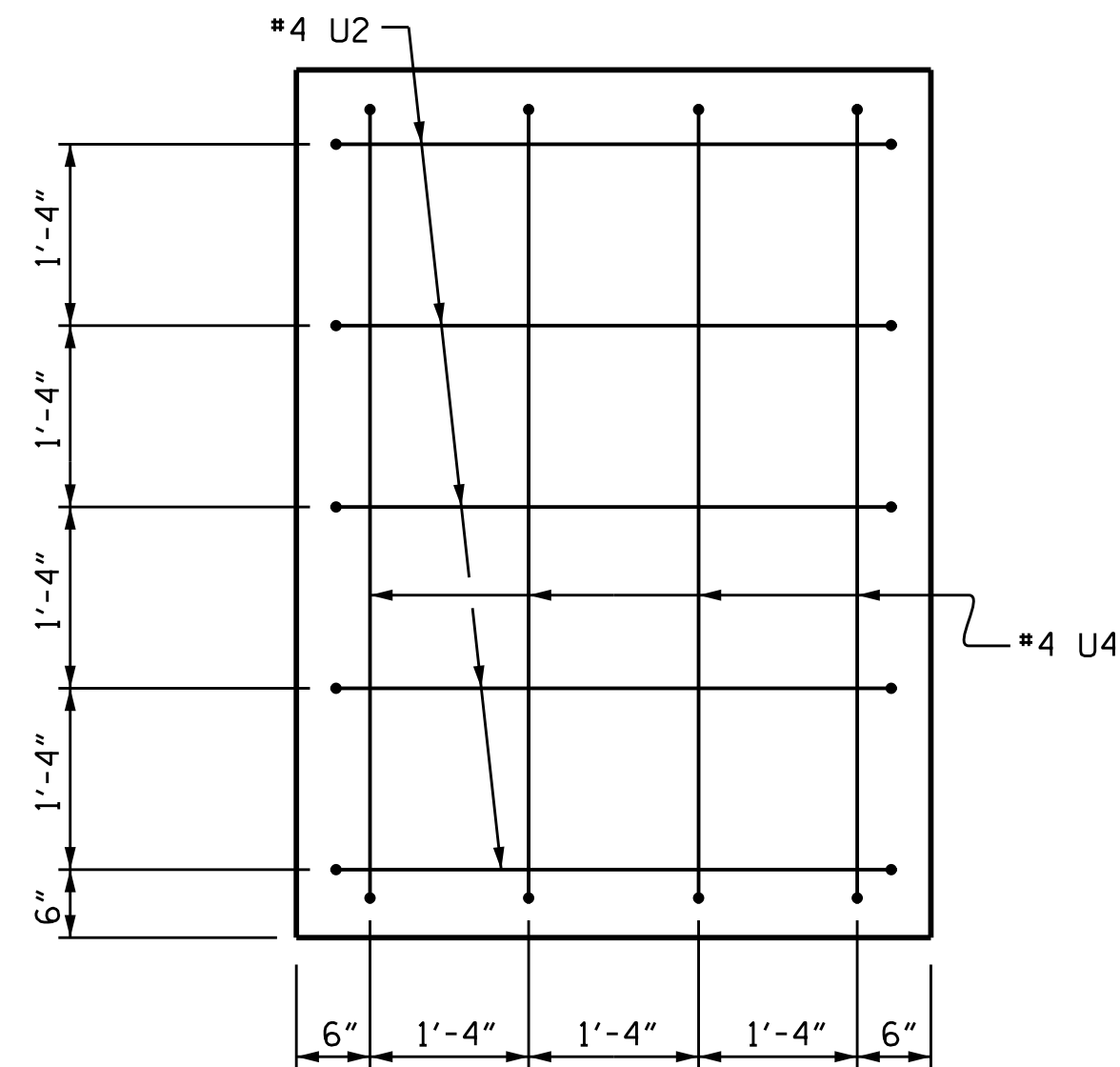
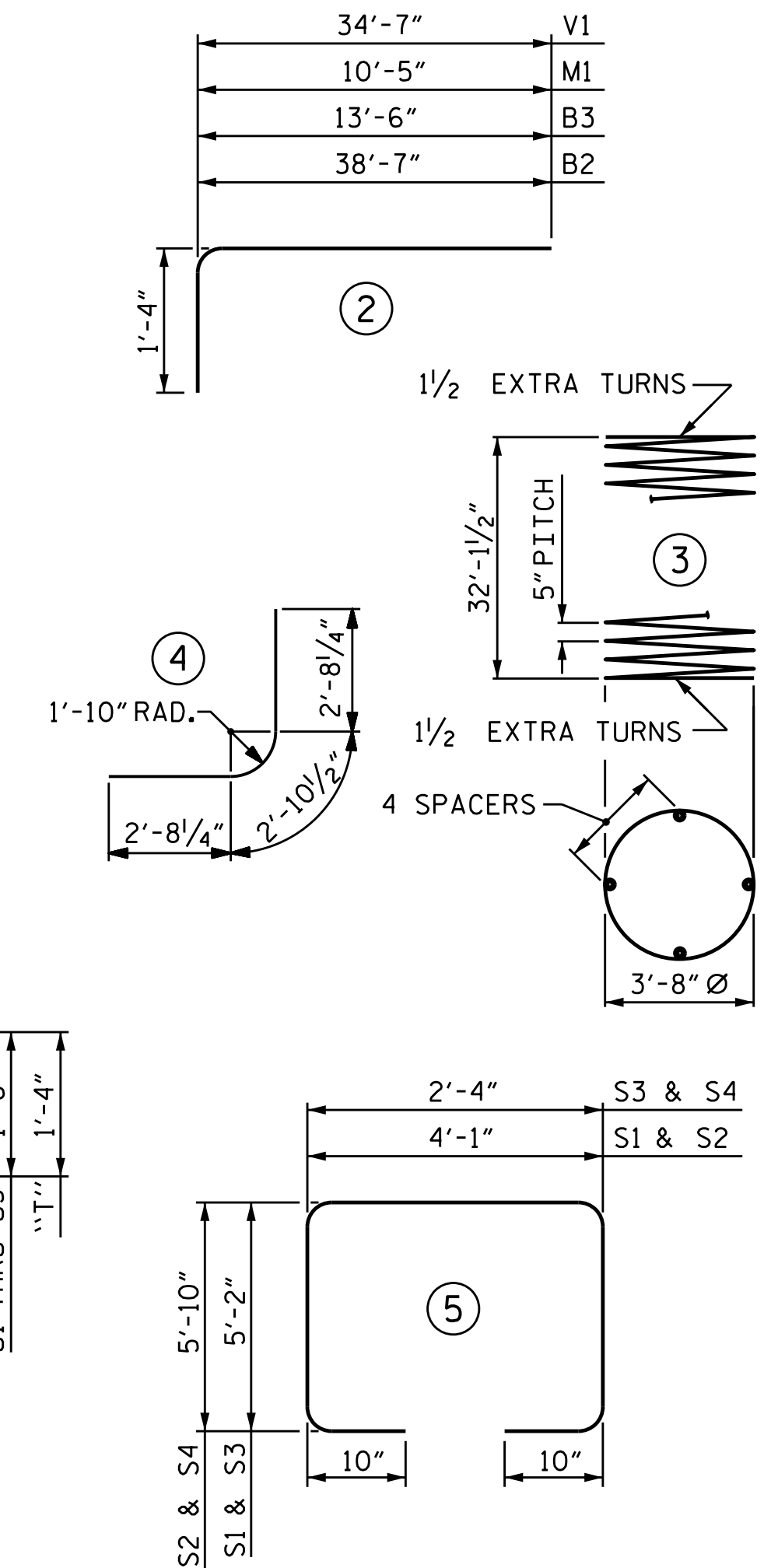
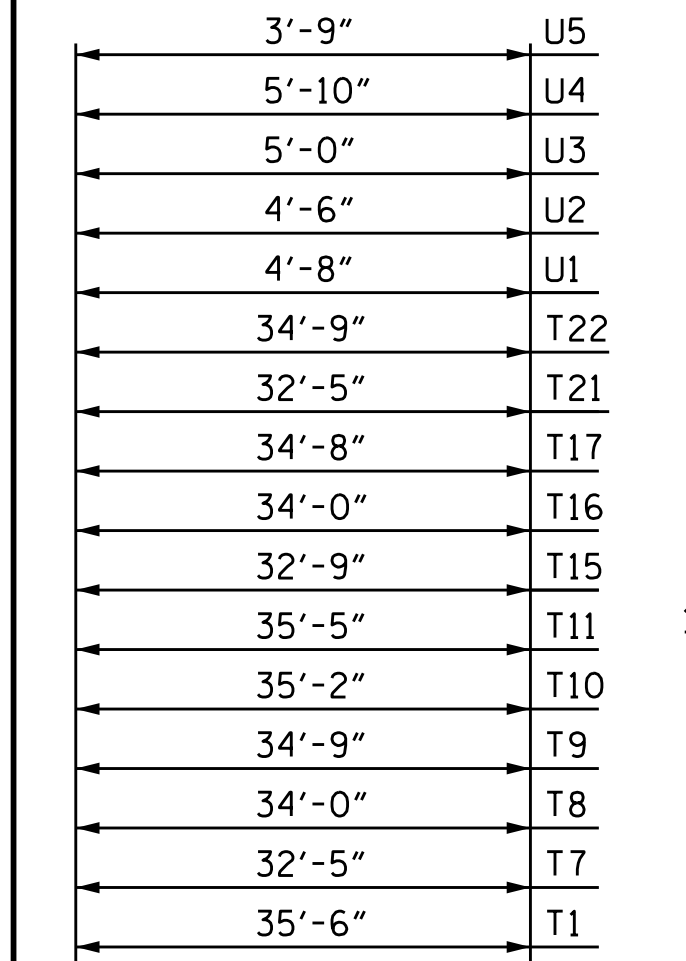


VIEW X-X



VIEW Y-Y

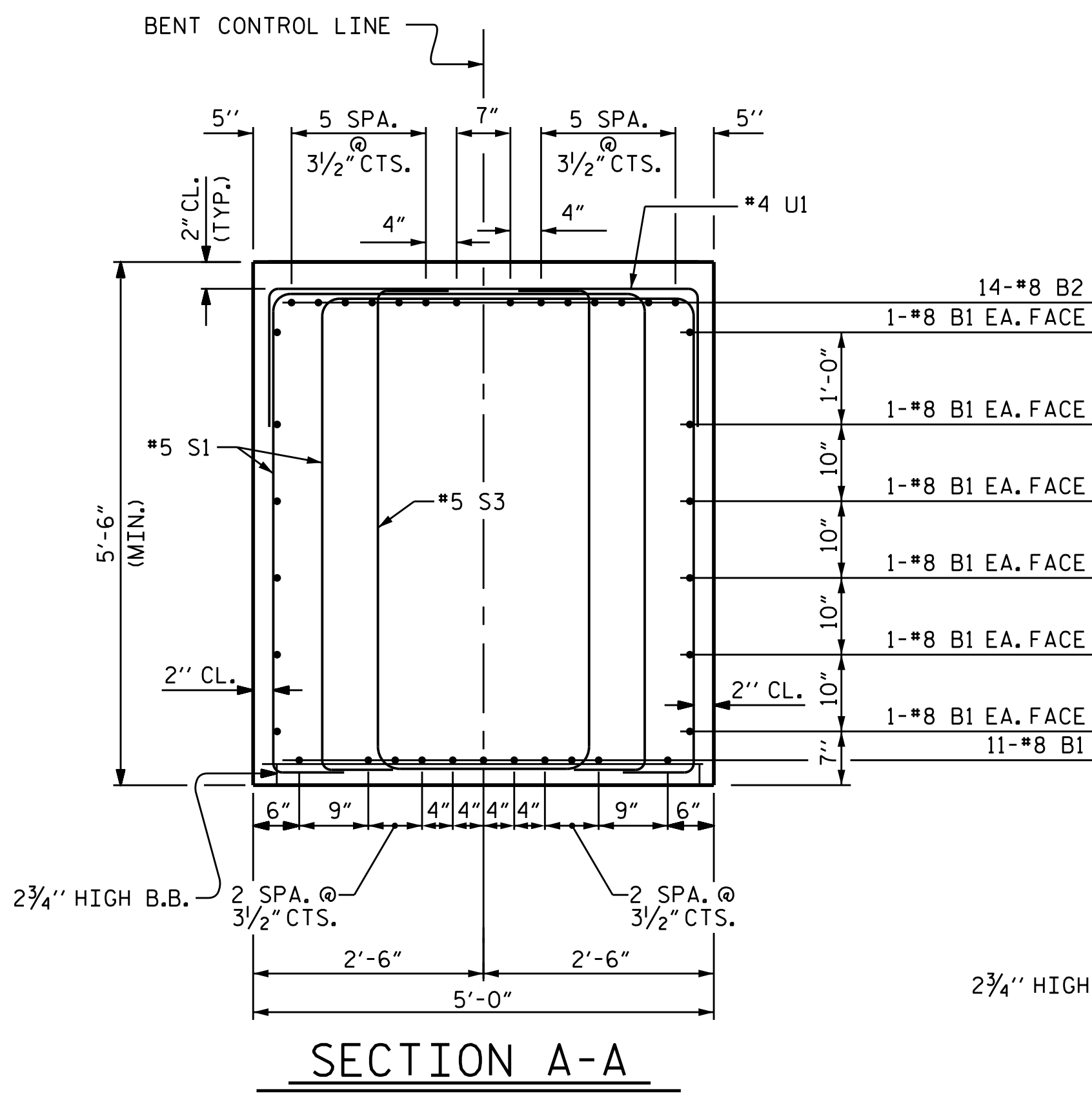


ALL BAR DIMENSIONS ARE OUT TO OUT.

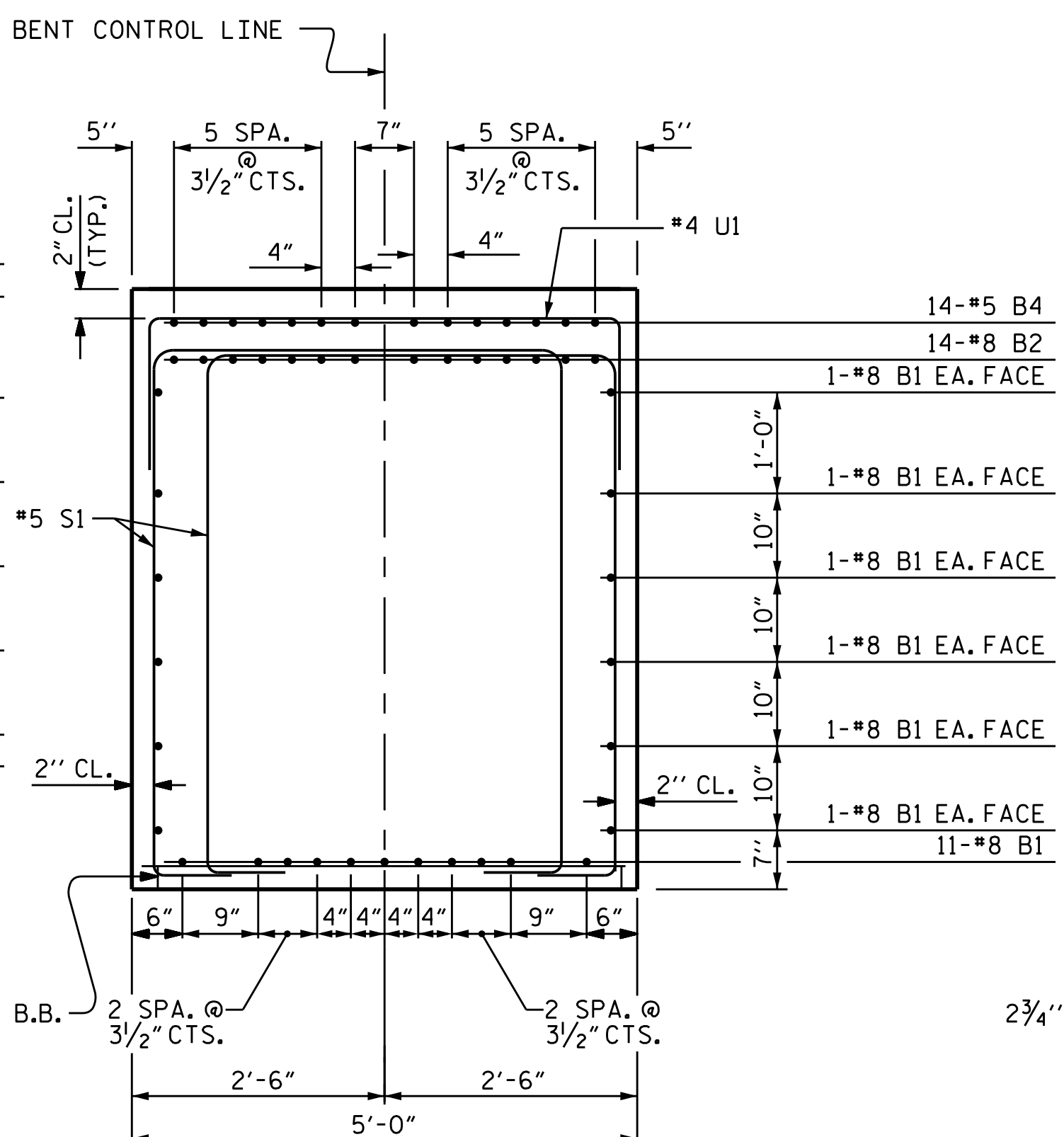
BILL OF MATERIAL

BENT #7

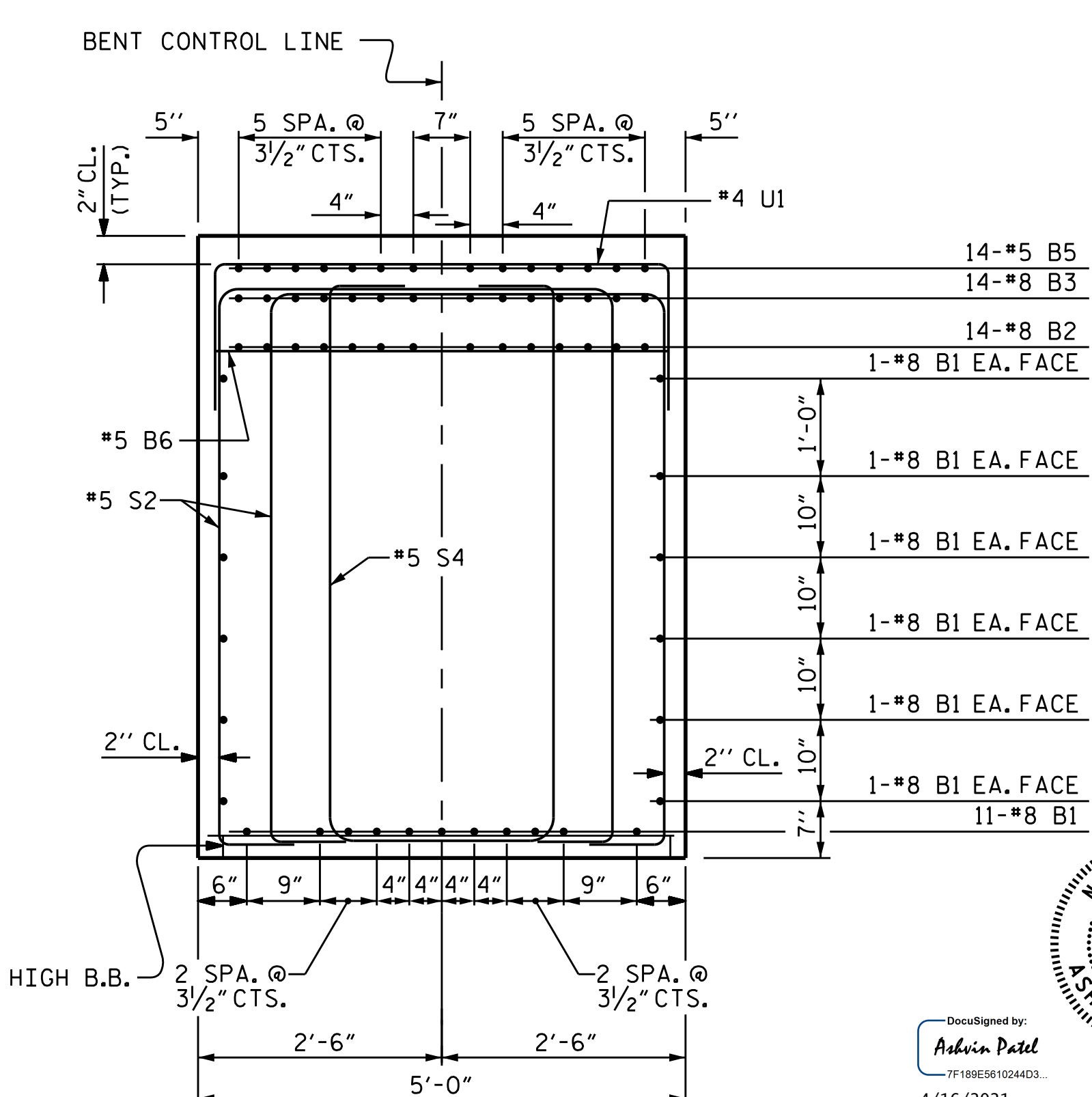
BAR NO.	NO.	SIZE	TYPE	LENGTH	WEIGHT	BAR NO.	NO.	SIZE	TYPE	LENGTH	LENGTH
B1	23	#8	STR	38'-8"	889'-4"	U1	51	#4	1	7'-8"	391'-0"
B2	14	#8	2	39'-11"	558'-10"	U2	9	#4	1	7'-6"	67'-6"
B3	14	#8	2	14'-10"	207'-8"	U3	4	#4	1	8'-0"	32'-0"
B4	14	#5	STR	8'-4"	116'-8"	U4	4	#4	1	8'-10"	35'-4"
B5	14	#5	STR	5'-2"	72'-4"	U5	44	#4	1	6'-9"	297'-0"
B6	3	#5	STR	4'-8"	14'-0"						
M1	96	#8	2	11'-9"	1128'-0"	V1	96	#8	2	35'-11"	3448'-0"
S1	72	#5	5	16'-1"	1158'-0"	SP-1	3	#5	3	922'-4"	2767'-0"
S2	44	#5	5	17'-5"	766'-4"	TOTAL LIN. FT. # 4 BARS				822.8	
S3	5	#5	5	14'-4"	71'-8"	TOTAL LIN. FT. # 5 BARS				6082.0	
S4	5	#5	5	15'-8"	78'-4"	TOTAL LIN. FT. # 8 BARS				11937.2	
GLASS FIBER REINFORCED POLYMER BARS TOTAL 18842.00 LIN. FT.											
CLASS AA CONCRETE BREAKDOWN											
POUR #1 FOOTING										95.8 C.Y.	
POUR #2 COLUMNS										44.5 C.Y.	
POUR #3 CAP										42.7 C.Y.	
TOTAL CLASS AA CONCRETE										183.0 C.Y.	



SECTION A-A



SECTION B-B



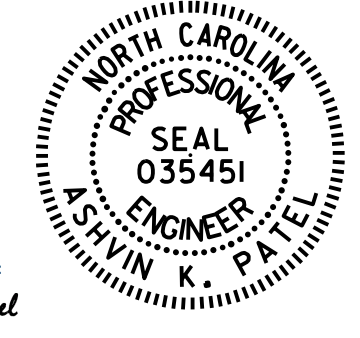
SECTION C-C

PROJECT NO. B-4863
CARTERET COUNTY
 STATION: 34+75.00 -L-

SHEET 3 OF 3

STATE OF NORTH CAROLINA
 DEPARTMENT OF TRANSPORTATION
 RALEIGH

SUBSTRUCTURE
 BENT #7



DocuSigned by:
 Ashwin Patel
 7F189E8010244D3
 4/16/2021

DOCUMENT NOT CONSIDERED FINAL UNLESS ALL SIGNATURES COMPLETED

REVISIONS						SHEET NO.
NO.	BY:	DATE:	NO.	BY:	DATE:	S1-141
1			3			TOTAL SHEETS
2			4			194

DRAWN BY: I.L. AVERETTE DATE: 02/2019
 CHECKED BY: A.K. PATEL DATE: 12/2019
 DESIGN ENGINEER OF RECORD: A.K. PATEL DATE: 12/2019