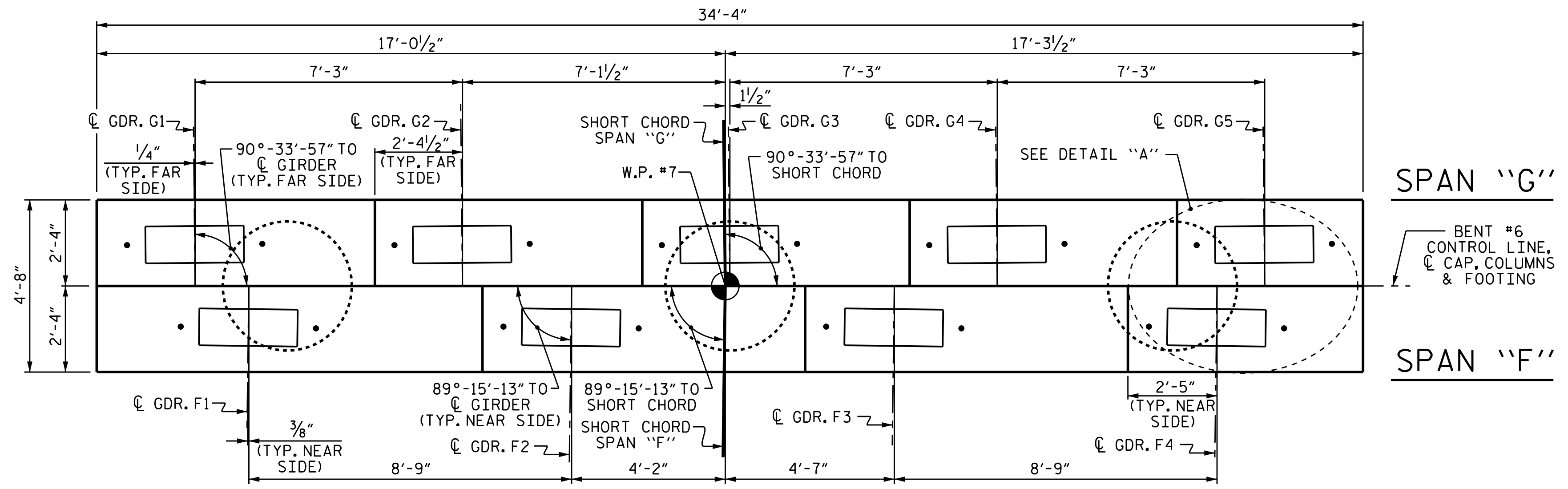


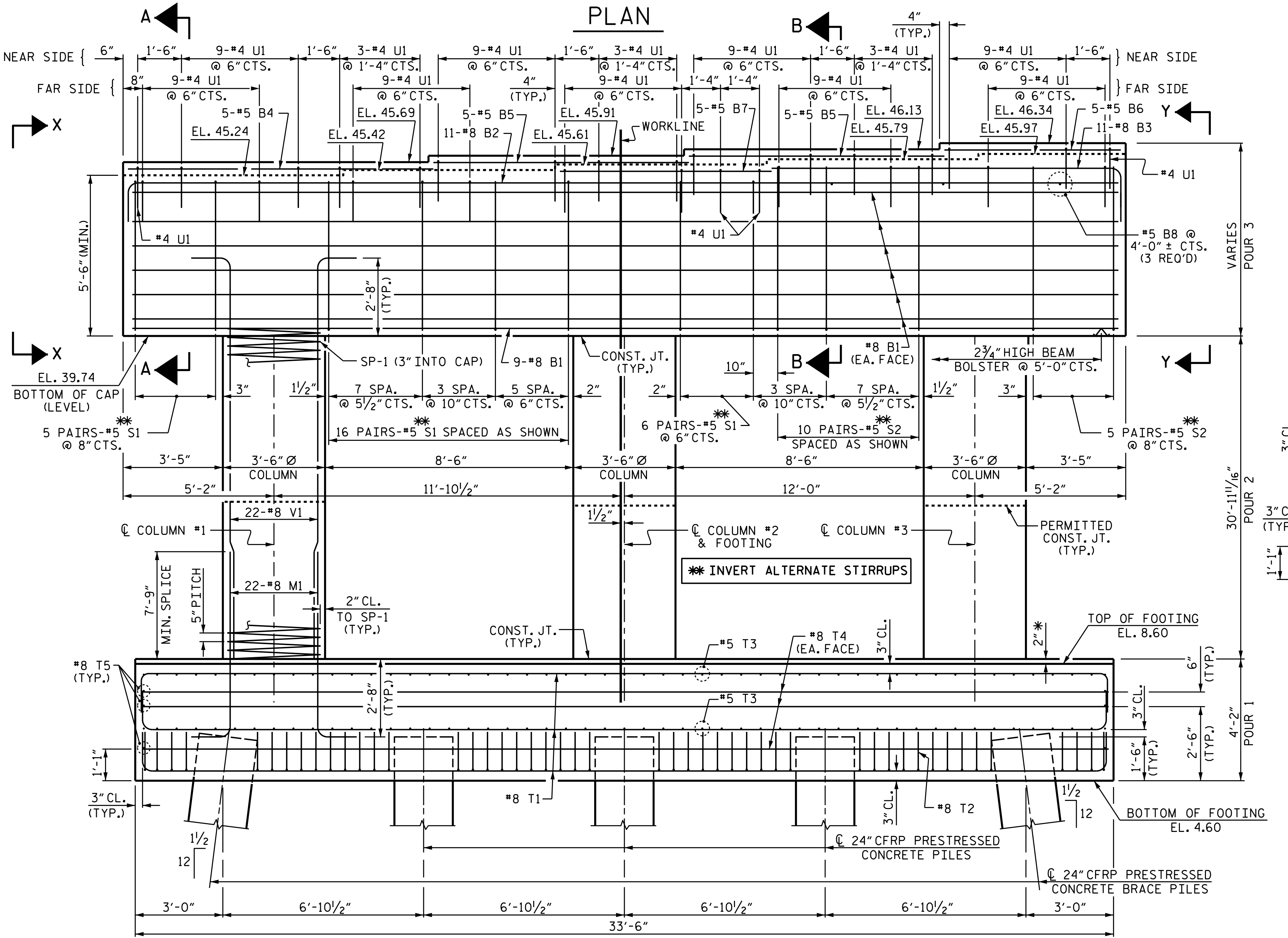
NOTES

STIRRUPS AND UI BARS IN CAP MAY BE SHIFTED AS NECESSARY TO CLEAR ANCHOR BOLTS.
 HOOKS ON "V" AND "M" BARS MAY BE TURNED AS NECESSARY FOR PLACING REINFORCING BARS.
 CONCRETE DISPLACED BY CONCRETE PILES HAS BEEN DEDUCTED FROM THE FOOTING CONCRETE QUANTITY.
 THE TOP SURFACE AREAS OF THE BENT CAP SHALL BE CURED IN ACCORDANCE WITH THE STANDARD SPECIFICATIONS EXCEPT THE MEMBRANE CURING COMPOUND METHOD SHALL NOT BE USED.
 ALL REINFORCING IN THE CAP, COLUMNS AND FOOTING IS TO BE GLASS FIBER REINFORCED POLYMER (GFRP) BARS. FOR GLASS FIBER REINFORCED POLYMER BARS, SEE SPECIAL PROVISIONS.
 * THE FOOTING HAS A DROP OF 2" FROM THE CENTER OF THE FOOTING TO THE EDGE OF THE FOOTING TO ACCOMMODATE DRAINAGE.



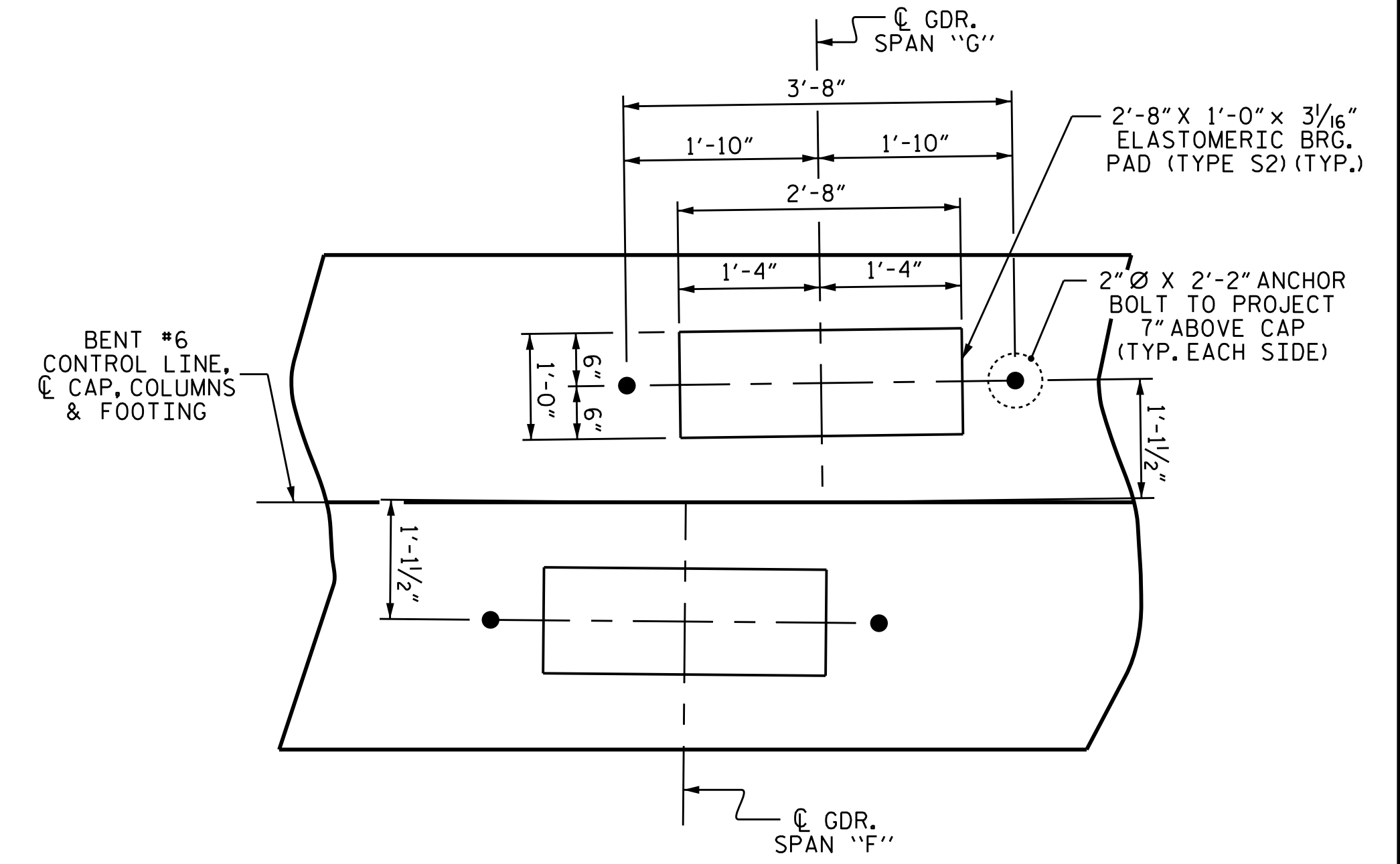
SPAN "G"

SPAN "F"

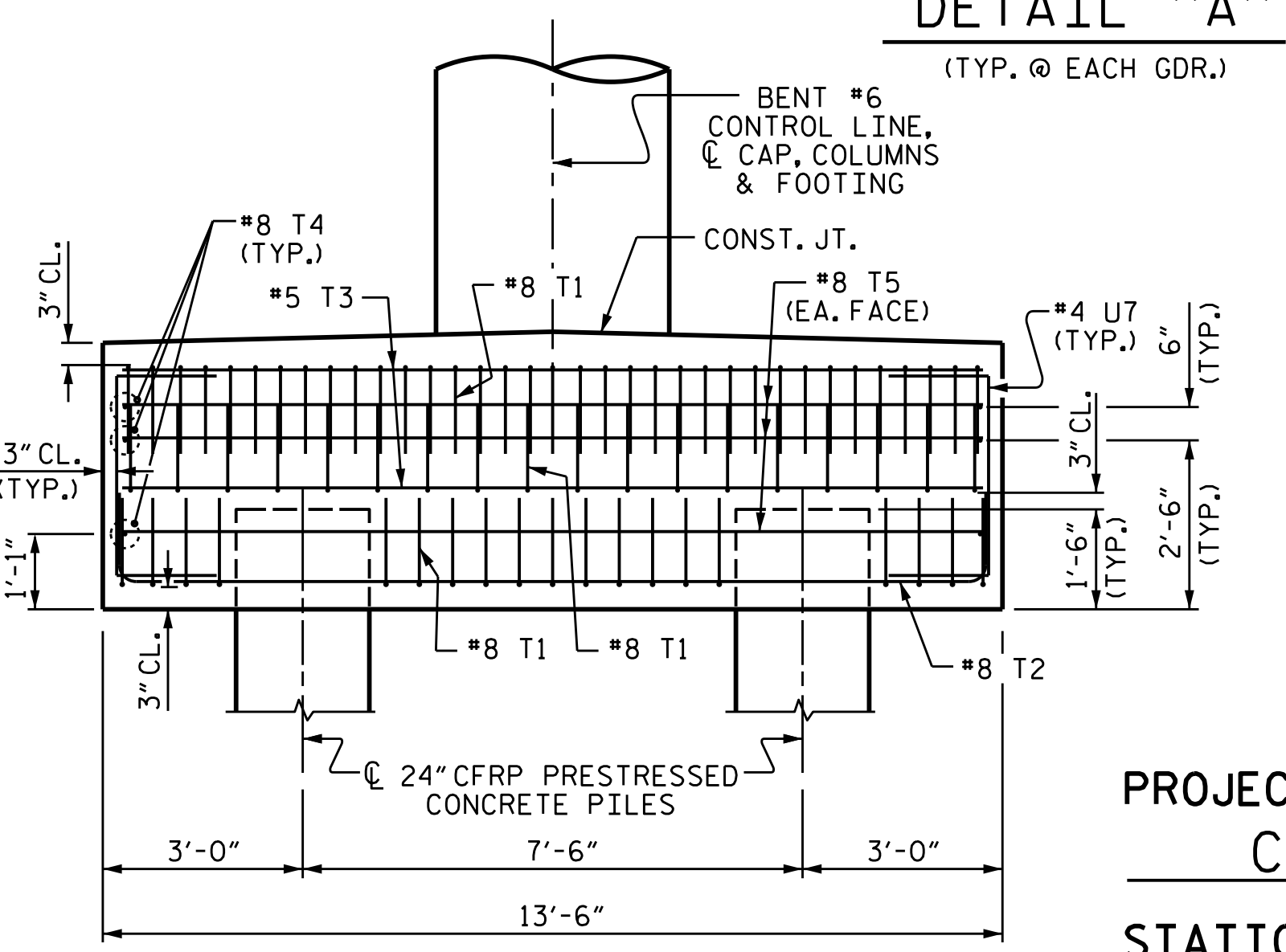


ELEVATION

REINFORCING BAR DIMENSIONS AND DETAILS ARE TYPICAL FOR EACH COLUMN.
 FOR ADDITIONAL REINFORCING BARS IN ENDS OF CAP, SEE VIEW X-X AND VIEW Y-Y ON SHEET 3 OF 3
 *4 U7 BARS IN FOOTING NOT SHOWN, SEE SHEET 2 OF 3



DETAIL "A"



PARTIAL END ELEVATION

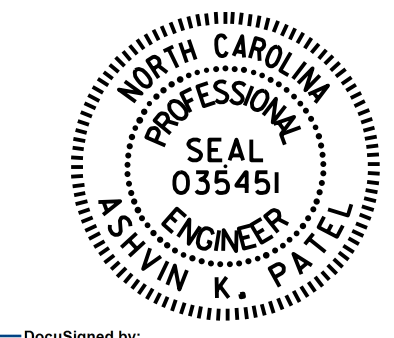
SEE ELEVATION FOR COLUMN REINFORCING BARS

PROJECT NO. B-4863
CARTERET COUNTY
 STATION: 34+75.00 -L-

SHEET 1 OF 3

STATE OF NORTH CAROLINA
 DEPARTMENT OF TRANSPORTATION
 RALEIGH

SUBSTRUCTURE
 BENT #6



DocuSigned by:
 Ashwin Patel
 7F189E5610244E3
 3/9/2020

DRAWN BY: I.L. AVERETTE DATE: 02/2019
 CHECKED BY: A.K. PATEL DATE: 12/2019
 DESIGN ENGINEER OF RECORD: A.K. PATEL DATE: 12/2019

DOCUMENT NOT CONSIDERED
 FINAL UNLESS ALL
 SIGNATURES COMPLETED

REVISIONS						SHEET NO.
NO.	BY:	DATE:	NO.	BY:	DATE:	TOTAL SHEETS
1			3			S1-136
2			4			194