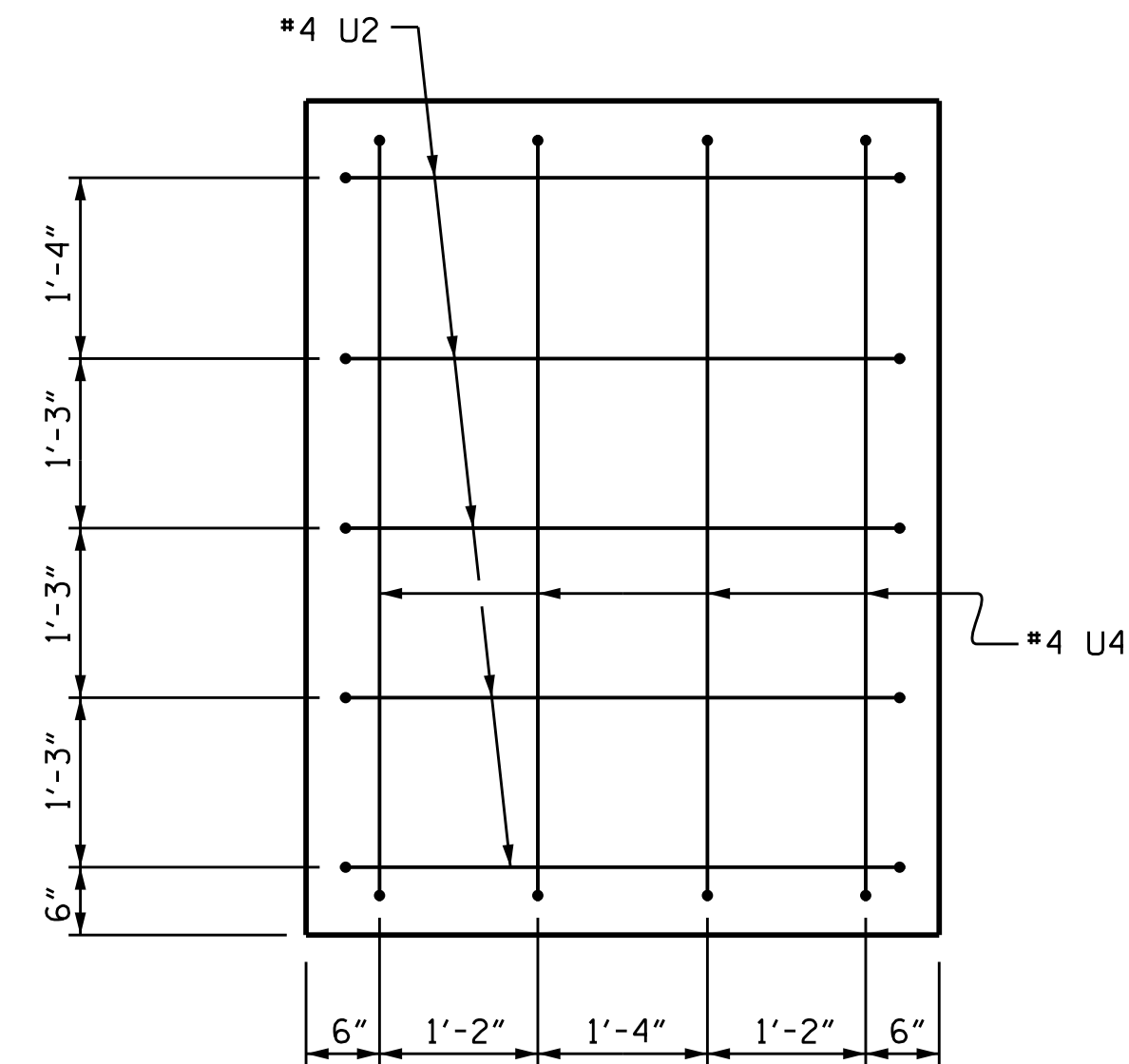
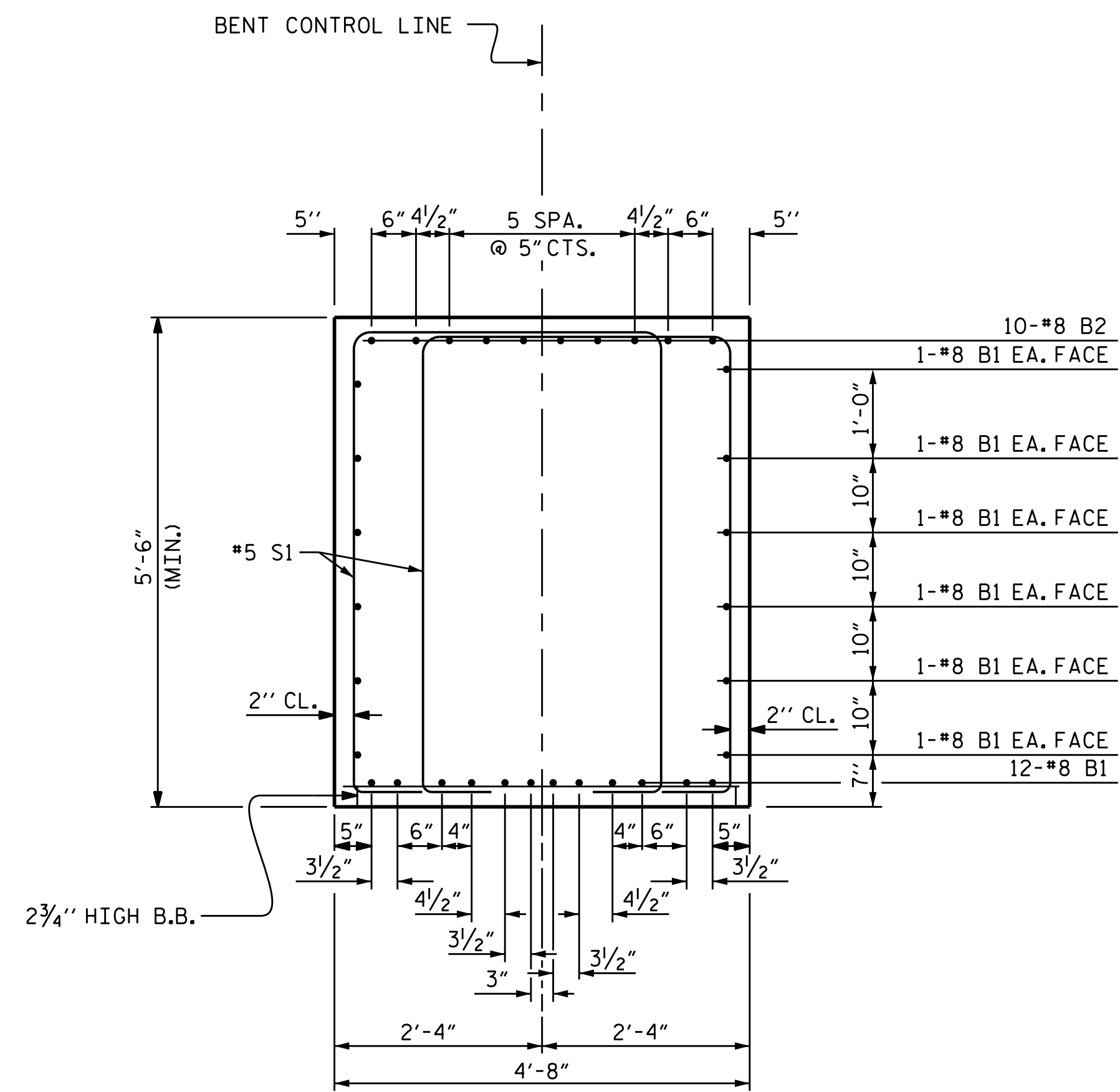


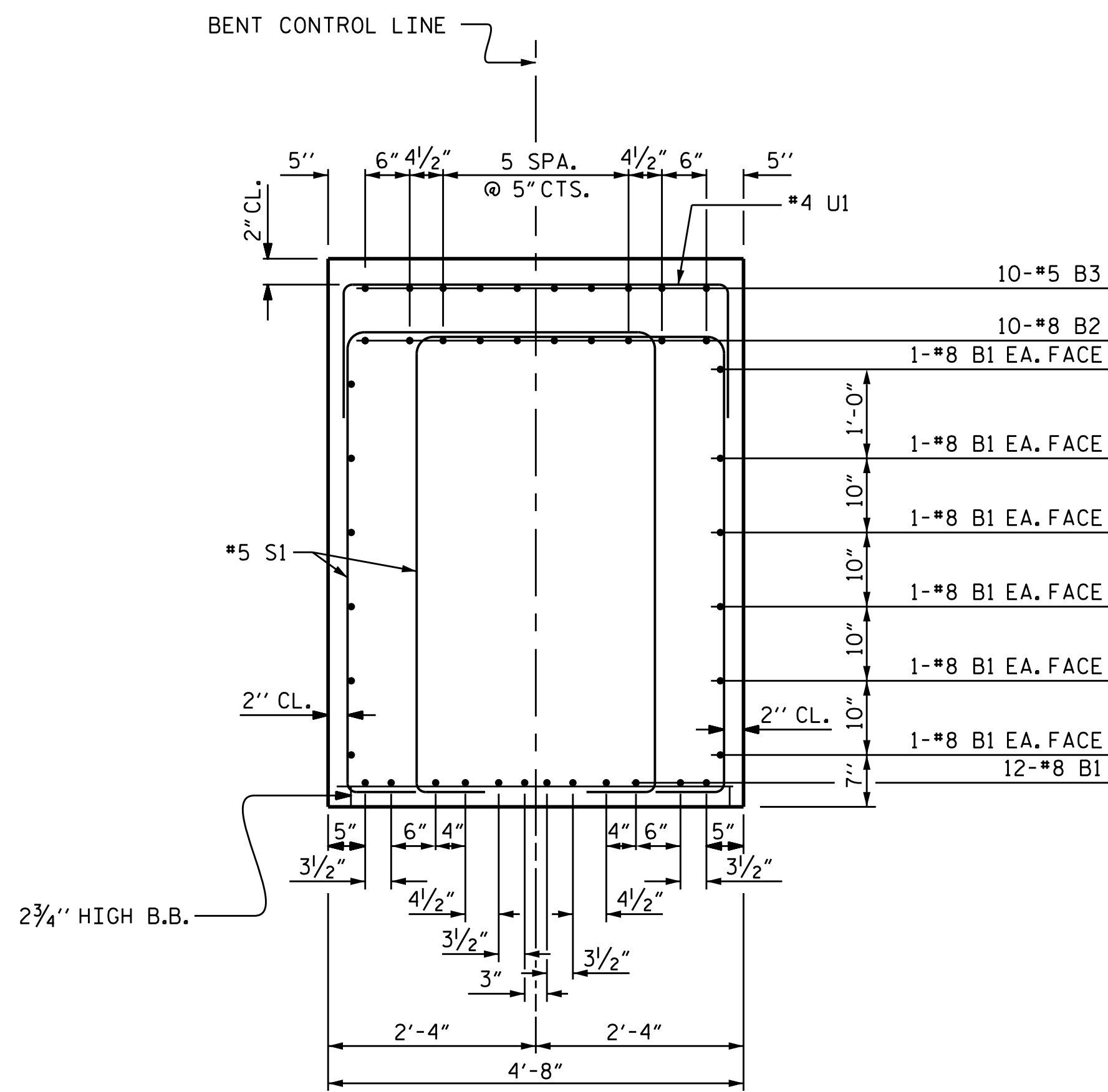
VIEW X-X



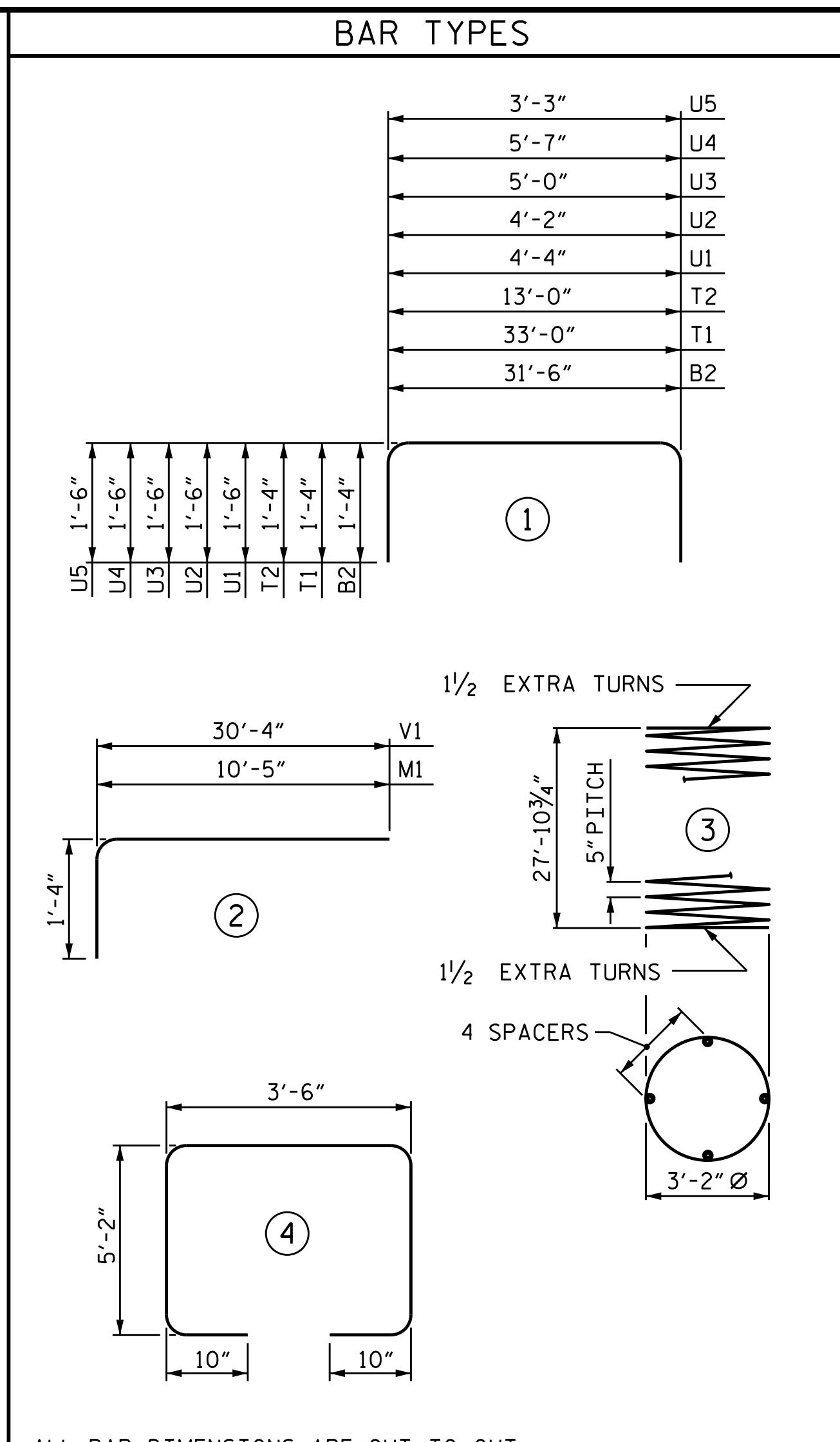
VIEW Y-Y



SECTION A-A



SECTION B-B



ALL BAR DIMENSIONS ARE OUT TO OUT.

BILL OF MATERIAL

BENT #5					
BAR	NO.	SIZE	TYPE	LENGTH	TOTAL LENGTH
B1	24	#8	STR	31'-8"	760'-0"
B2	10	#8	1	34'-2"	341'-8"
B3	10	#5	STR	8'-9"	87'-6"
B4	10	#5	STR	4'-9"	47'-6"
M1	54	#8	2	11'-9"	634'-6"
S1	84	#5	4	15'-6"	1302'-0"
T1	72	#8	1	35'-8"	2568'-0"
T2	48	#8	1	15'-8"	752'-0"
T3	102	#5	STR	13'-0"	1326'-0"
T4	6	#8	STR	33'-0"	198'-0"
T5	6	#8	STR	13'-0"	78'-0"
U1	35	#4	1	7'-4"	256'-8"
U2	9	#4	1	7'-2"	64'-6"
U3	4	#4	1	8'-0"	32'-0"
U4	4	#4	1	8'-7"	34'-4"
U5	54	#4	1	6'-3"	337'-6"
V1	54	#8	2	31'-8"	1710'-0"
SP-1	3	#5	3	695'-0"	2085'-0"
TOTAL LIN. FT. # 4 BARS					693.0
TOTAL LIN. FT. # 5 BARS					4880.0
TOTAL LIN. FT. # 8 BARS					7042.2
GLASS FIBER REINFORCED POLYMER BARS					12615.17 LIN. FT.
CLASS AA CONCRETE BREAKDOWN					
POUR #1 FOOTING					66.2 C.Y.
POUR #2 COLUMNS					29.6 C.Y.
POUR #3 CAP					32.0 C.Y.
TOTAL CLASS AA CONCRETE					127.8 C.Y.

PROJECT NO. B-4863  
CARTERET COUNTY  
 STATION: 34+75.00 -L-  
 SHEET 3 OF 3



Designed by:  
 Ashwin Patel  
 771806561024403  
 4/16/2021

STATE OF NORTH CAROLINA  
 DEPARTMENT OF TRANSPORTATION  
 RALEIGH  
 SUBSTRUCTURE  
 BENT #5

DRAWN BY : I.L. AVERETTE DATE : 02/2019  
 CHECKED BY : A.K. PATEL DATE : 04/2019  
 DESIGN ENGINEER OF RECORD: A.K. PATEL DATE : 04/2019

DOCUMENT NOT CONSIDERED  
 FINAL UNLESS ALL  
 SIGNATURES COMPLETED

REVISIONS						SHEET NO.
NO.	BY:	DATE:	NO.	BY:	DATE:	
1			3			S1-135
2			4			TOTAL SHEETS 194