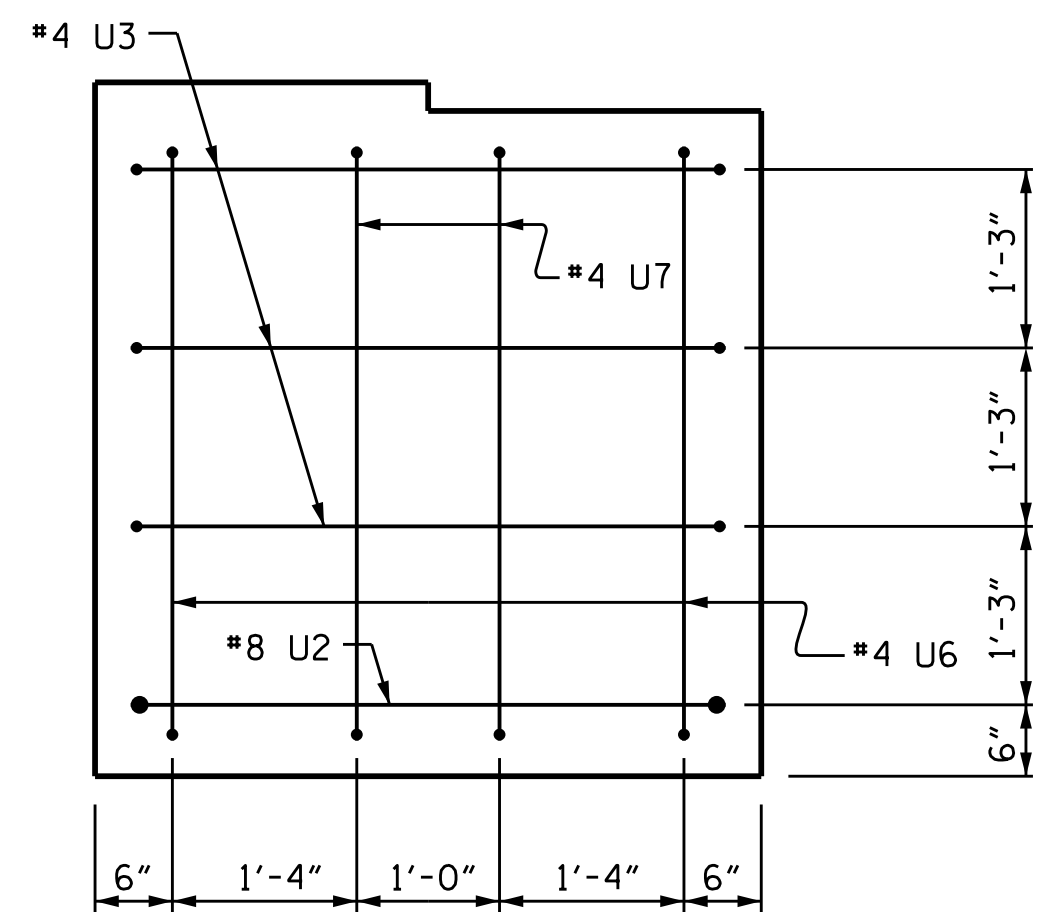
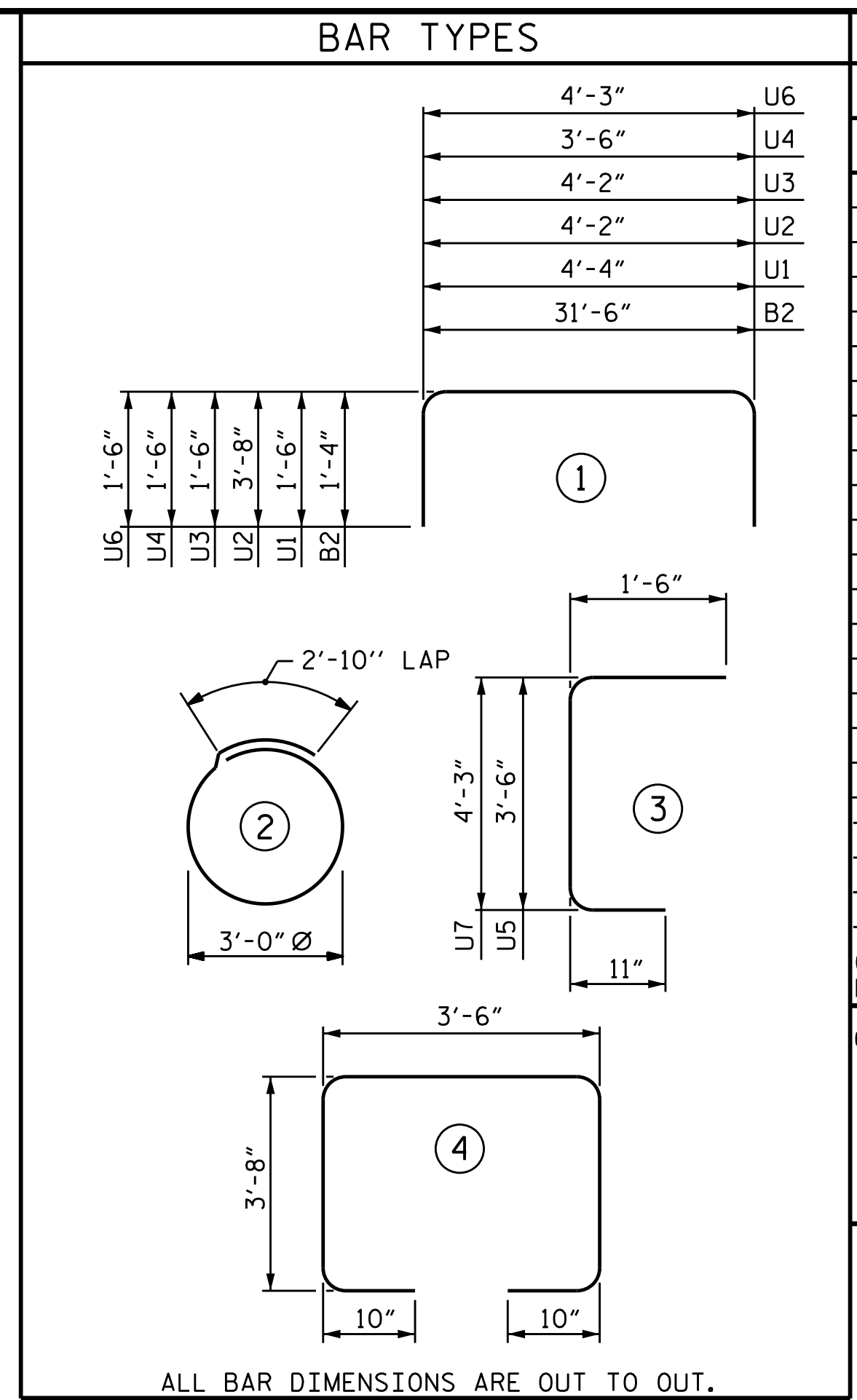


VIEW X-X

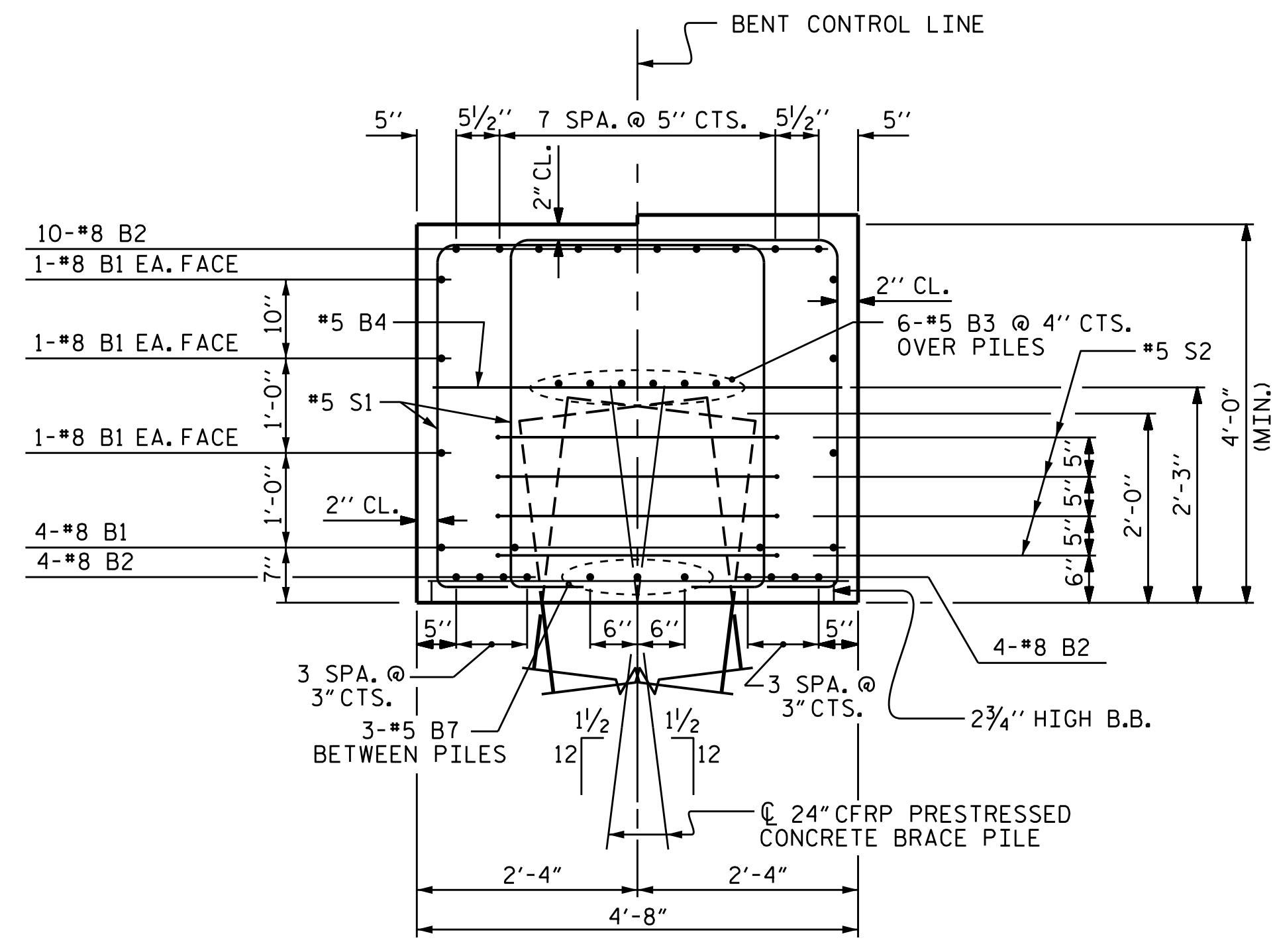


VIEW Y-Y

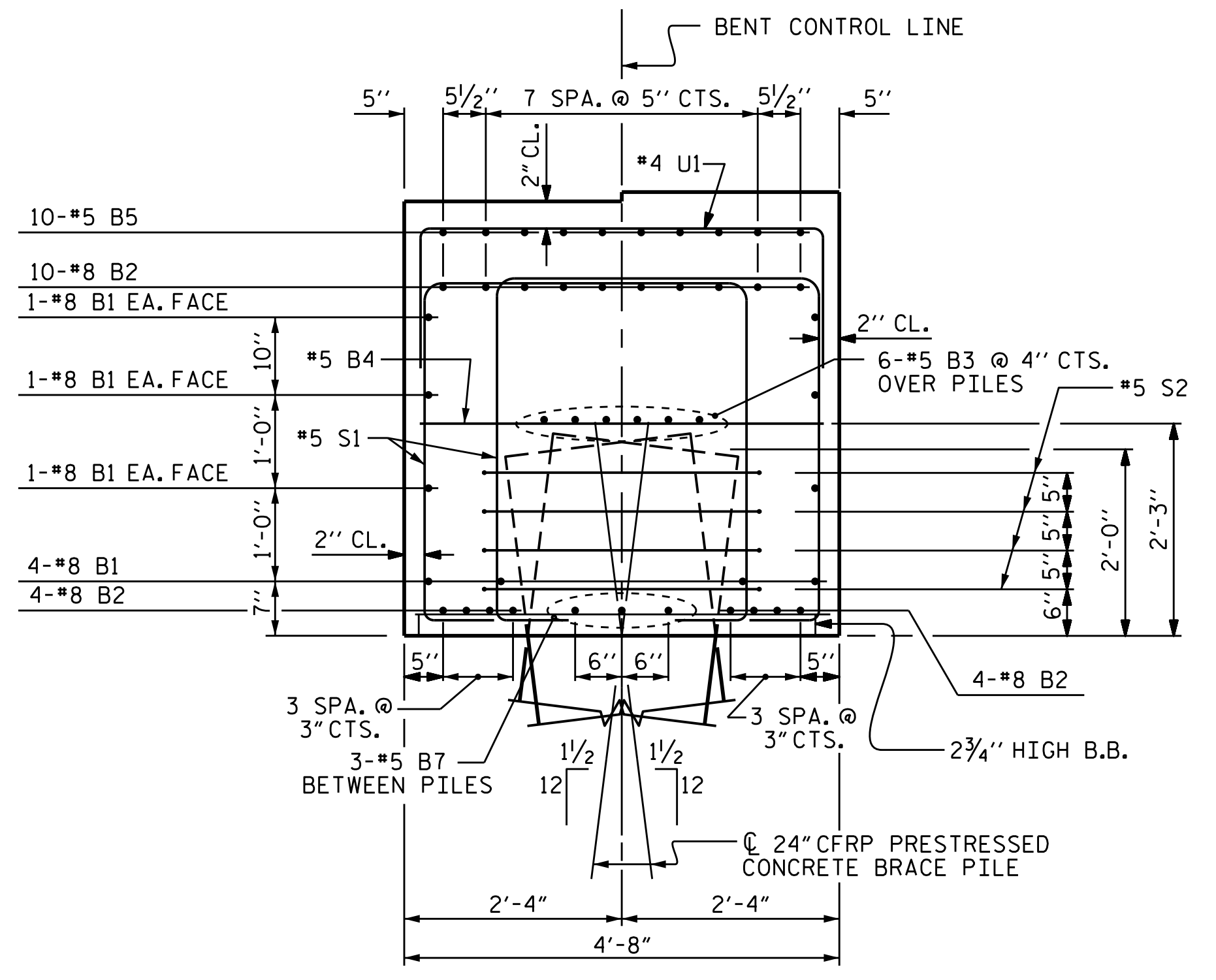


ALL BAR DIMENSIONS ARE OUT TO OUT.

BILL OF MATERIAL					
BENT #2					
BAR	NO.	SIZE	TYPE	LENGTH	TOTAL LENGTH
B1	10	#8	STR	31'-8"	316'-8"
B2	18	#8	1	34'-2"	615'-0"
B3	6	#5	STR	31'-8"	190'-0"
B4	8	#5	STR	4'-4"	34'-8"
B5	20	#5	STR	8'-9"	175'-0"
B6	10	#5	STR	4'-9"	47'-6"
B7	12	#5	STR	4'-6"	54'-0"
S1	88	#5	4	12'-6"	1100'-0"
S2	20	#5	2	12'-3"	245'-0"
U1	39	#4	1	7'-4"	286'-0"
U2	2	#8	1	11'-6"	23'-0"
U3	6	#4	1	7'-2"	43'-0"
U4	2	#4	1	6'-6"	13'-0"
U5	2	#4	3	5'-11"	11'-10"
U6	2	#4	1	7'-3"	14'-6"
U7	2	#4	3	6'-8"	13'-4"
TOTAL LIN. FT. # 4 BARS					381.7
TOTAL LIN. FT. # 5 BARS					1846.1
TOTAL LIN. FT. # 8 BARS					954.7
GLASS FIBER REINFORCED POLYMER BARS				3182.50 LIN. FT.	
CLASS AA CONCRETE BREAKDOWN					
POUR #1 CAP					22.8 C.Y.
TOTAL CLASS AA CONCRETE					22.8 C.Y.



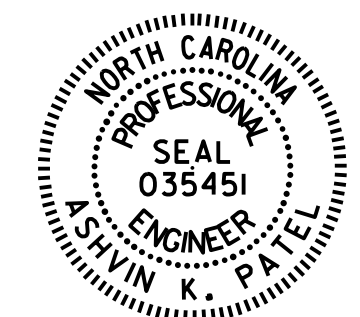
SECTION A-A



SECTION B-B

PROJECT NO. B-4863
CARTERET COUNTY
 STATION: 34+75.00 -L-

SHEET 2 OF 2



Designed by:
 Ashwin Patel
 771806561024403
 4/16/2021

STATE OF NORTH CAROLINA
 DEPARTMENT OF TRANSPORTATION
 RALEIGH

SUBSTRUCTURE
 BENT #2

DRAWN BY : I.L. AVERETTE DATE : 02/2019
 CHECKED BY : A.K. PATEL DATE : 12/2019
 DESIGN ENGINEER OF RECORD: A.K. PATEL DATE : 12/2019

DOCUMENT NOT CONSIDERED
 FINAL UNLESS ALL
 SIGNATURES COMPLETED

REVISIONS						SHEET NO.
NO.	BY:	DATE:	NO.	BY:	DATE:	S1-126
1			3			TOTAL SHEETS
2			4			194