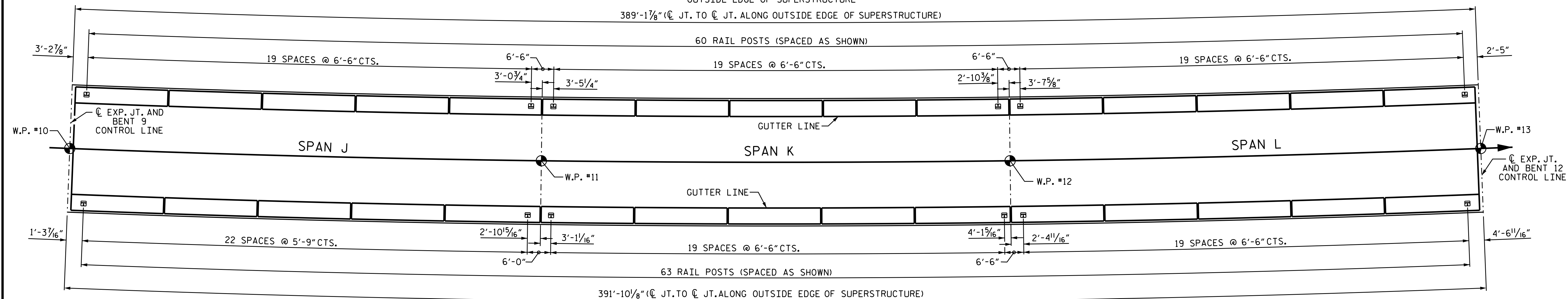


SPAN J, K AND L

PLAN OF PARAPET

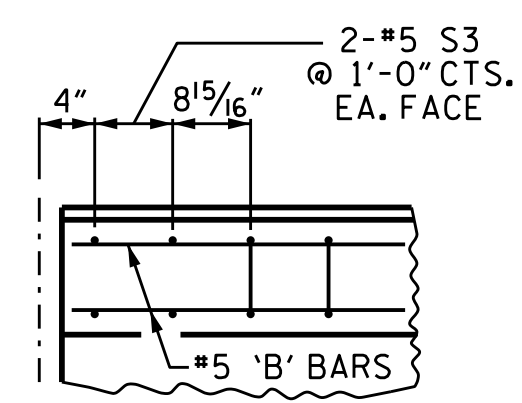
FOR DETAILS OF PARAPET, ENDOPOSTS, AND ADDITIONAL REINFORCEMENT, SEE SHEET 14 OF 14. ALL DIMENSIONS ARE TAKEN ALONG THE ARC OF THE OUTSIDE EDGE OF SUPERSTRUCTURE



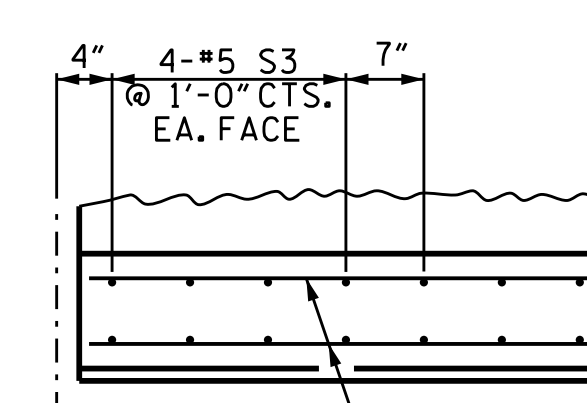
SPAN J, K AND L

PLAN OF RAIL POST SPACINGS

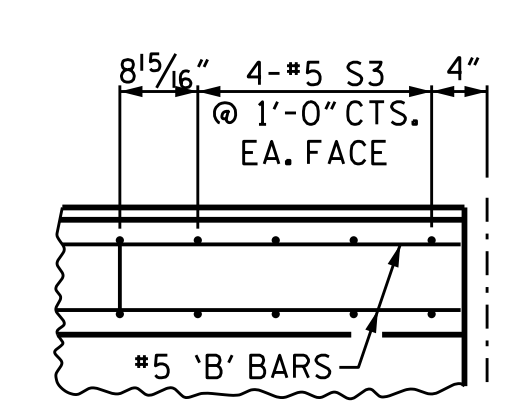
ALL DIMENSIONS ARE TAKEN ALONG THE ARC OF THE OUTSIDE EDGE OF SUPERSTRUCTURE



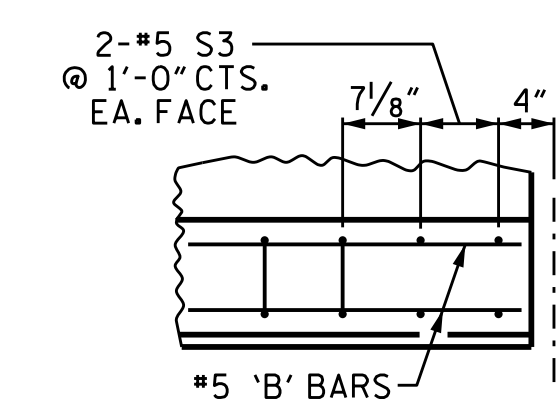
DETAIL 'A'



DETAIL 'B'

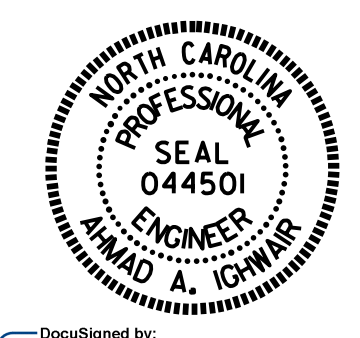


DETAIL 'C'



DETAIL 'D'

PROJECT NO. B-4863
 CARTERET COUNTY
 STATION: 34+75.00 -L-
 SHEET 4 OF 14



STATE OF NORTH CAROLINA
 DEPARTMENT OF TRANSPORTATION
 RALEIGH
 CONCRETE PARAPET
 DETAILS AND
 2 BAR METAL RAIL
 POST SPACING

DRAWN BY: B. N. BARODAWALA DATE: 05-18
 CHECKED BY: M.A. ALLEN DATE: 11-18
 DESIGN ENGINEER OF RECORD: A. A. IGHWAIR DATE: 04-19

DOCUMENT NOT CONSIDERED FINAL UNLESS ALL SIGNATURES COMPLETED

REVISIONS						SHEET NO.	
NO.	BY:	DATE:	NO.	BY:	DATE:	TOTAL SHEETS	
1			3			S1-104	
2			4			194	