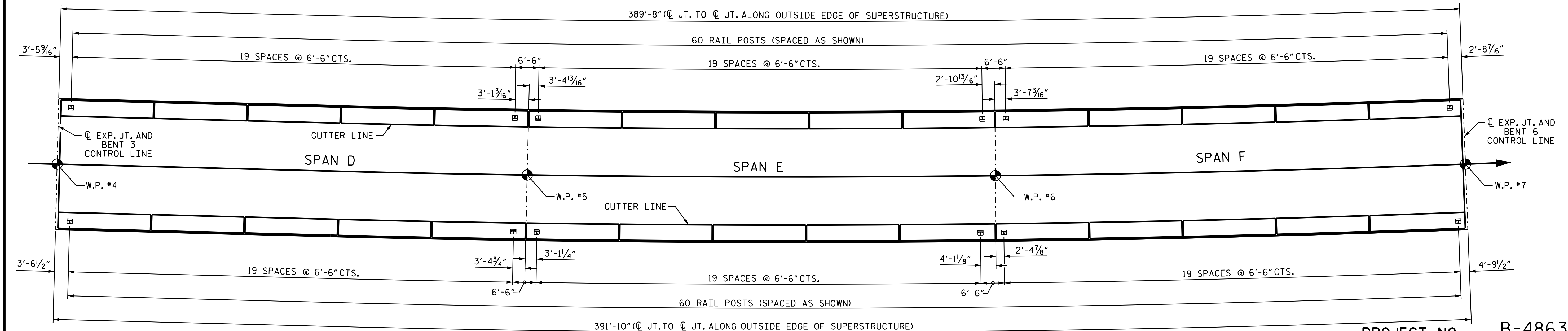


SPAN D, E AND F

PLAN OF PARAPET

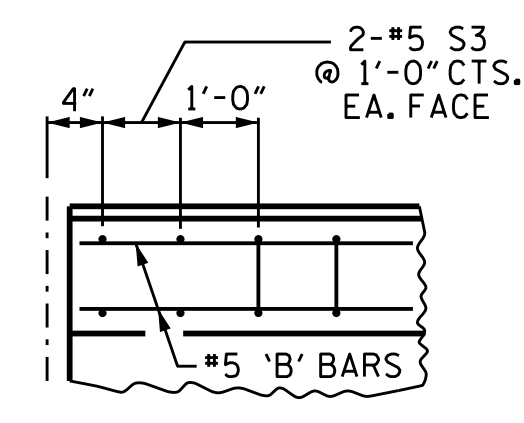
FOR DETAILS OF PARAPET, ENDPOSTS, AND ADDITIONAL REINFORCEMENT, SEE SHEET 14 OF 14. ALL DIMENSIONS ARE TAKEN ALONG THE ARC OF THE OUTSIDE EDGE OF SUPERSTRUCTURE



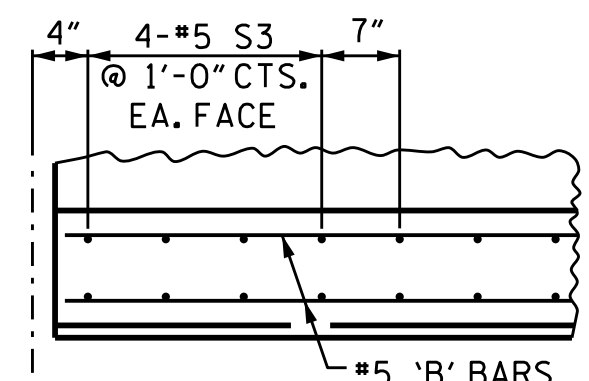
SPAN D, E AND F

PLAN OF RAIL POST SPACINGS

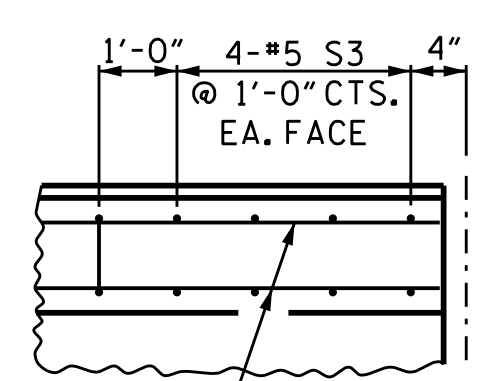
ALL DIMENSIONS ARE TAKEN ALONG THE ARC OF THE OUTSIDE EDGE OF SUPERSTRUCTURE



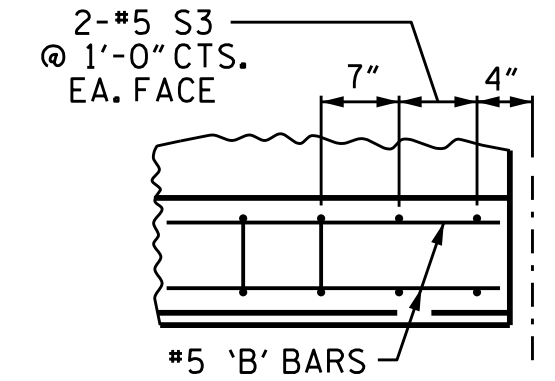
DETAIL 'A'



DETAIL 'B'



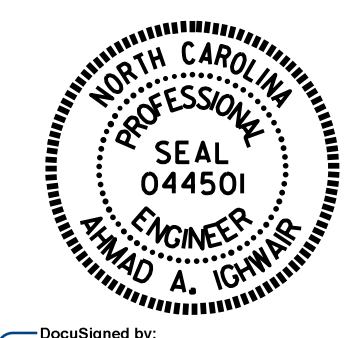
DETAIL 'C'



DETAIL 'D'

PROJECT NO. B-4863  
 CARTERET COUNTY  
 STATION: 34+75.00 -L-

SHEET 2 OF 14



DEPARTMENT OF TRANSPORTATION  
 RALEIGH  
 CONCRETE PARAPET  
 DETAILS AND  
 2 BAR METAL RAIL  
 POST SPACING

DRAWN BY : B. N. BARODAWALA DATE : 05-18  
 CHECKED BY : M.A. ALLEN DATE : 11-18  
 DESIGN ENGINEER OF RECORD : A. A. IGHWAIR DATE : 04-19

DOCUMENT NOT CONSIDERED FINAL UNLESS ALL SIGNATURES COMPLETED

REVISIONS						SHEET NO.	
NO.	BY:	DATE:	NO.	BY:	DATE:	S1-102	
1			3			TOTAL SHEETS	
2			4			194	