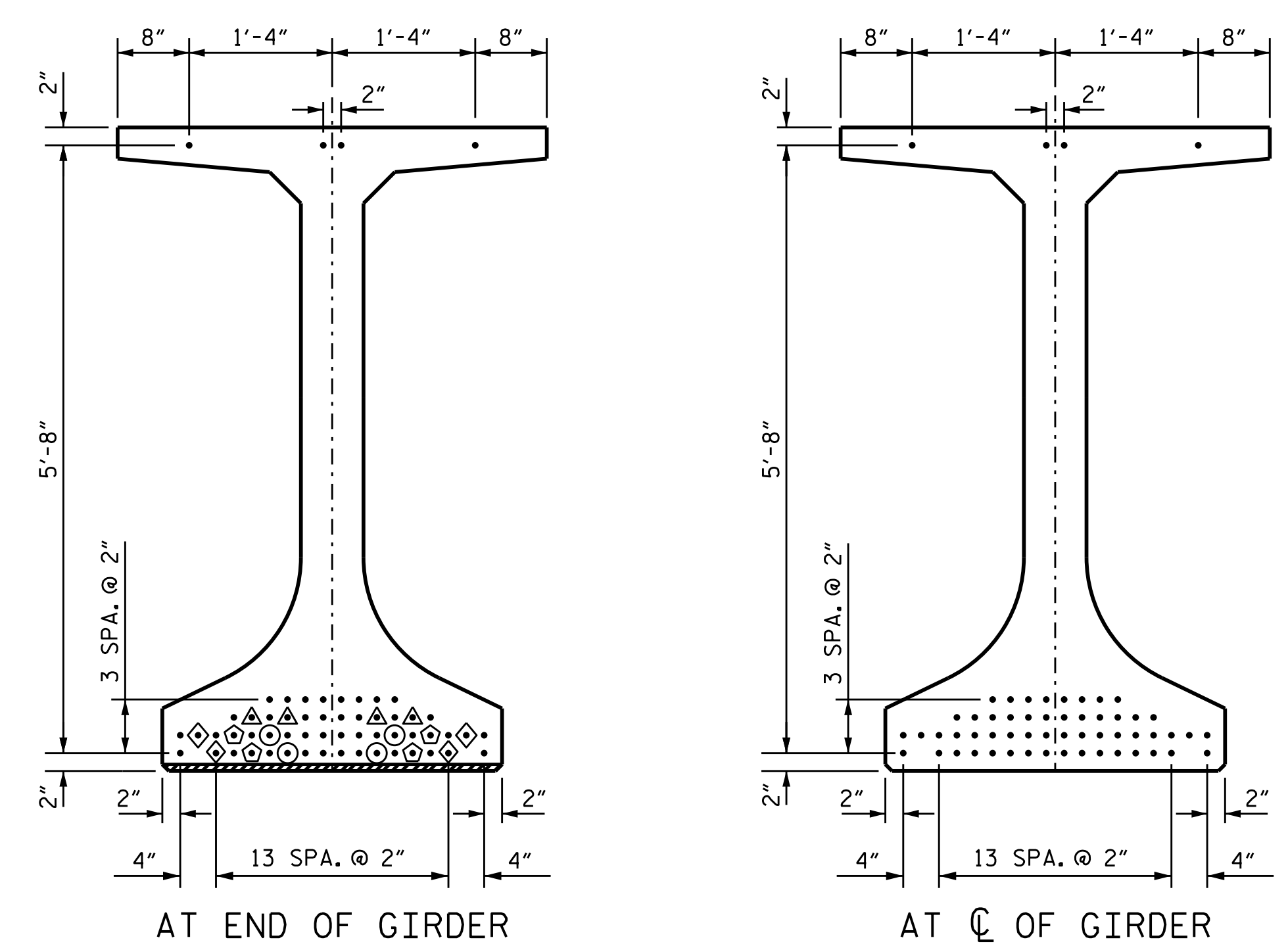
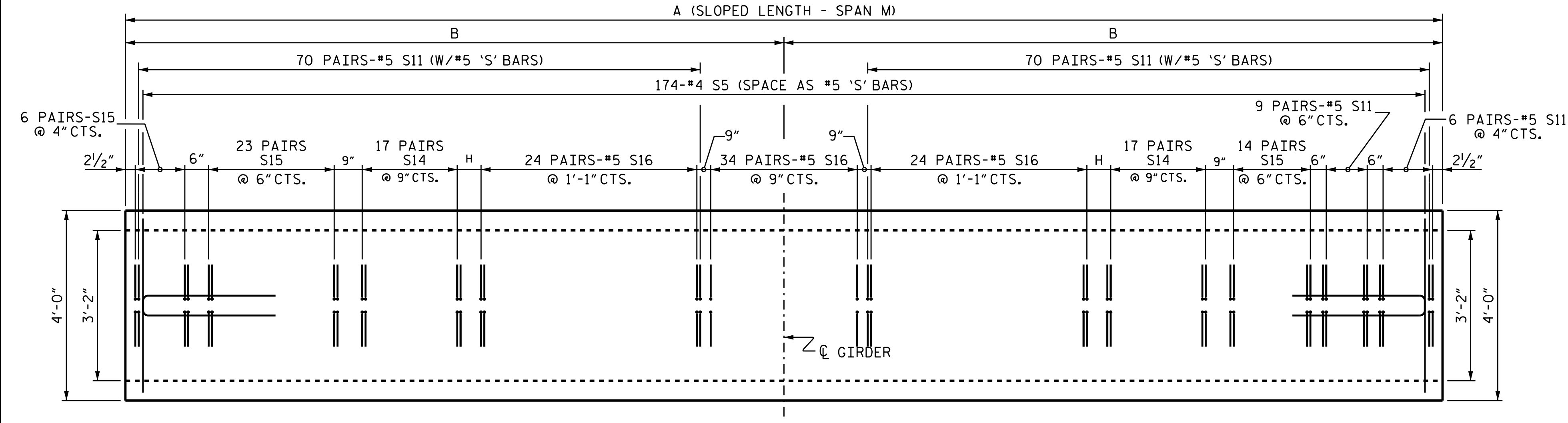


- DEBONDING LEGEND**
- FULLY BONDED STRANDS
 - ▲ STRANDS DEBONDED FOR 6'-0" FROM END OF GIRDER
 - ◆ STRANDS DEBONDED FOR 8'-0" FROM END OF GIRDER
 - ⊕ STRANDS DEBONDED FOR 12'-0" FROM END OF GIRDER
 - ⊙ STRANDS DEBONDED FOR 14'-0" FROM END OF GIRDER



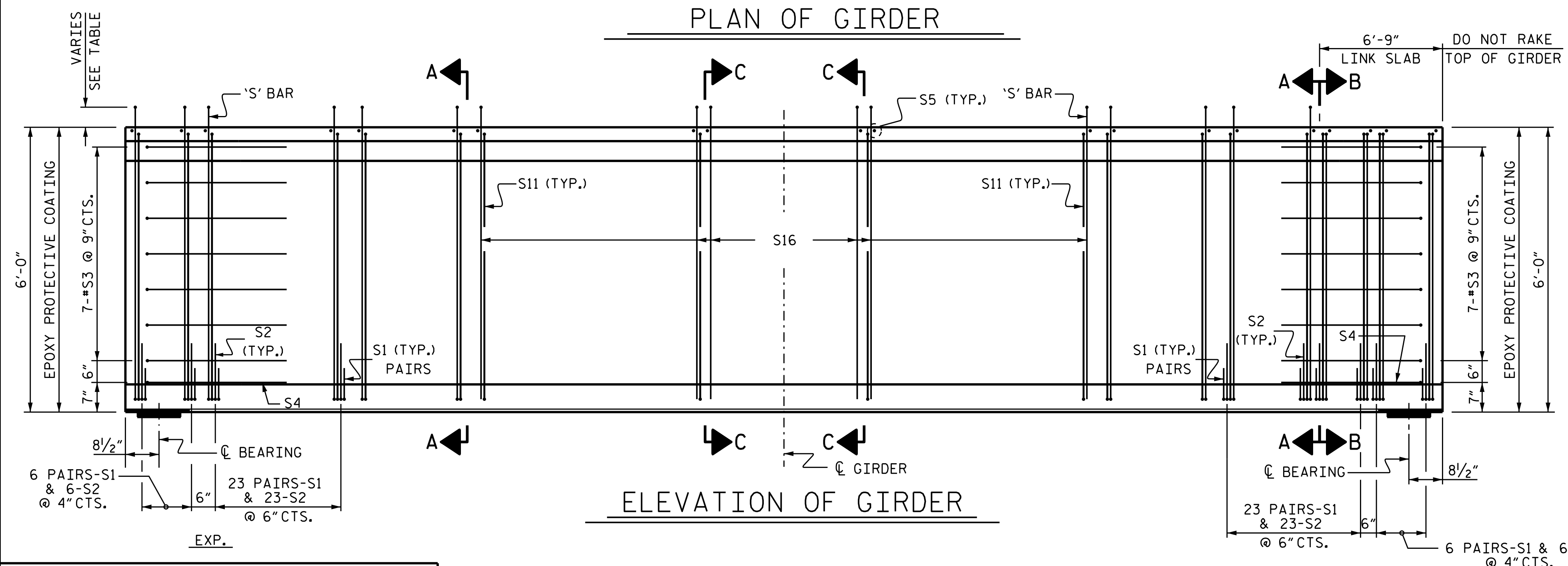
0.6" Ø CFRP STRAND LAYOUT



PLAN OF GIRDER

GIRDER	8,500 PSI CONCRETE			C.Y.
	A	B	H	
M1	129'-2 1/4"	64'-7 1/8"	5 1/8"	35.2
M2	129'-5"	64'-8 1/2"	6 1/2"	35.2
M3	129'-7 3/4"	64'-9 7/8"	7 7/8"	35.3
M4	129'-10 1/2"	64'-11 1/4"	9 1/4"	35.4
O1	129'-0 7/8"	64'-6 7/16"	4 7/16"	35.1
O2	129'-3 5/8"	64'-7 13/16"	5 13/16"	35.2
O3	129'-6 3/8"	64'-9 3/16"	7 3/16"	35.3
O4	129'-9 1/8"	64'-10 9/16"	8 9/16"	35.3

BAR	PROJECTION
S14	7"
S15	8"
S16	6"



ELEVATION OF GIRDER

DRAWN BY: B.N.BARODAWALA DATE: 01-20
 CHECKED BY: A.A. IGHWAIR DATE: 01-20
 DESIGN ENGINEER OF RECORD: A.A. IGHWAIR DATE: 01-20

DOCUMENT NOT CONSIDERED FINAL UNLESS ALL SIGNATURES COMPLETED

PROJECT NO. B-4863
 CARTERET COUNTY
 STATION: 34+75.00 -L-

SHEET 10 OF 17

REVISIONS						SHEET NO. S1-087
NO.	BY:	DATE:	NO.	BY:	DATE:	
1			3			TOTAL SHEETS 194
2			4			

