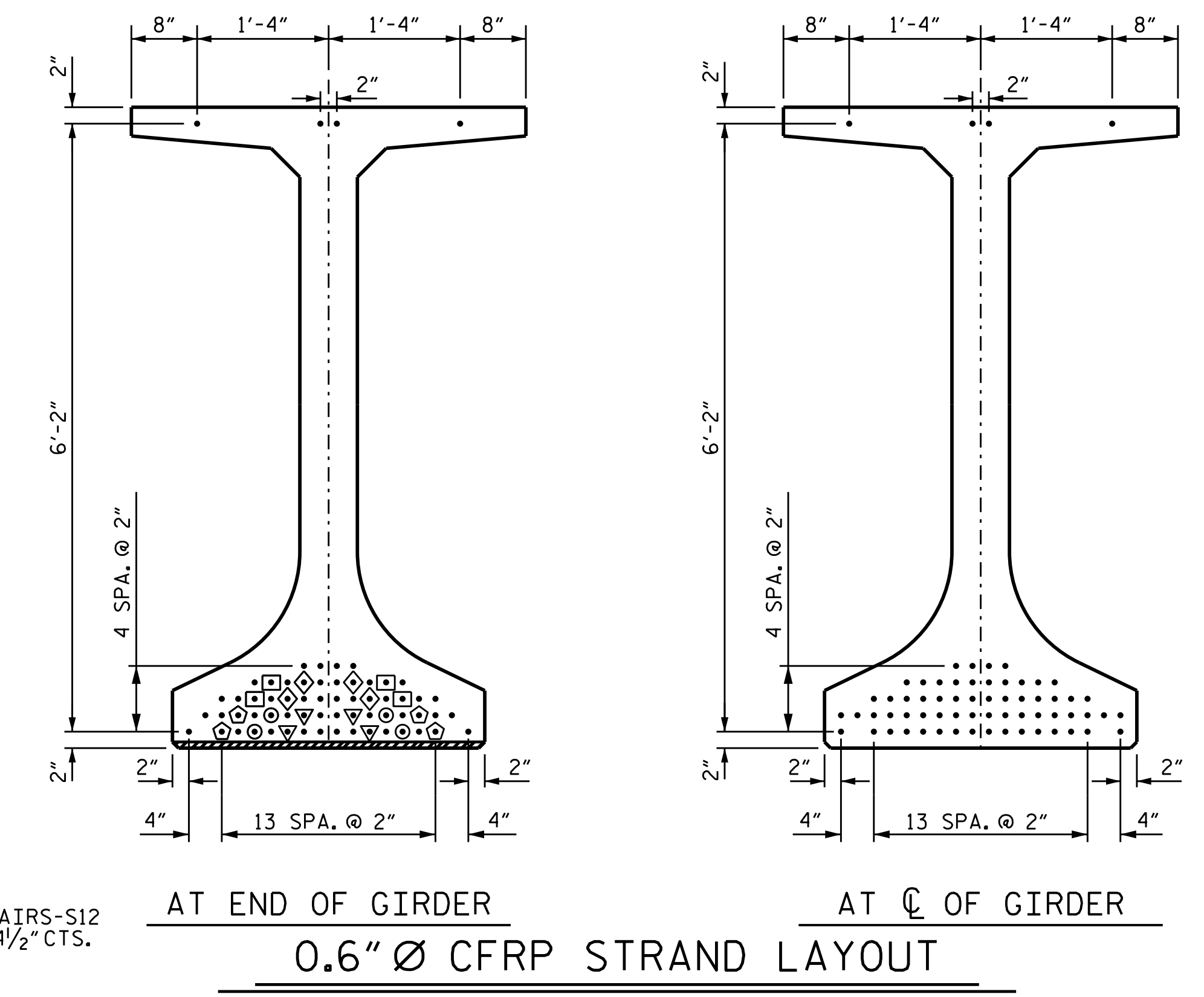
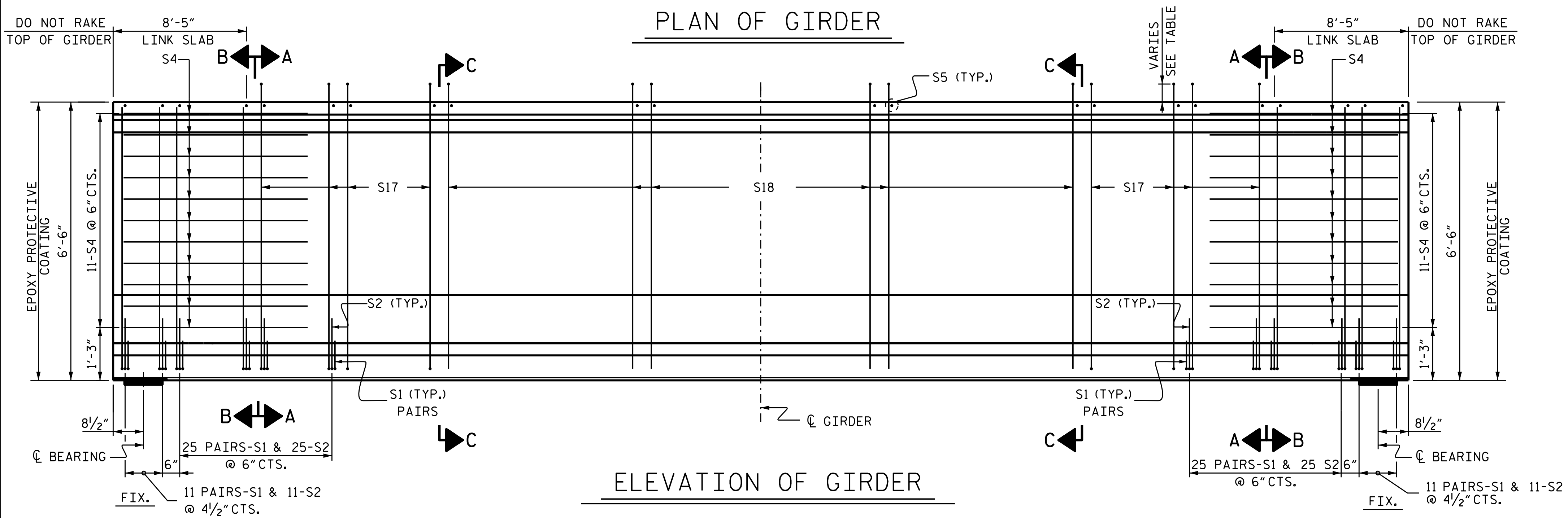
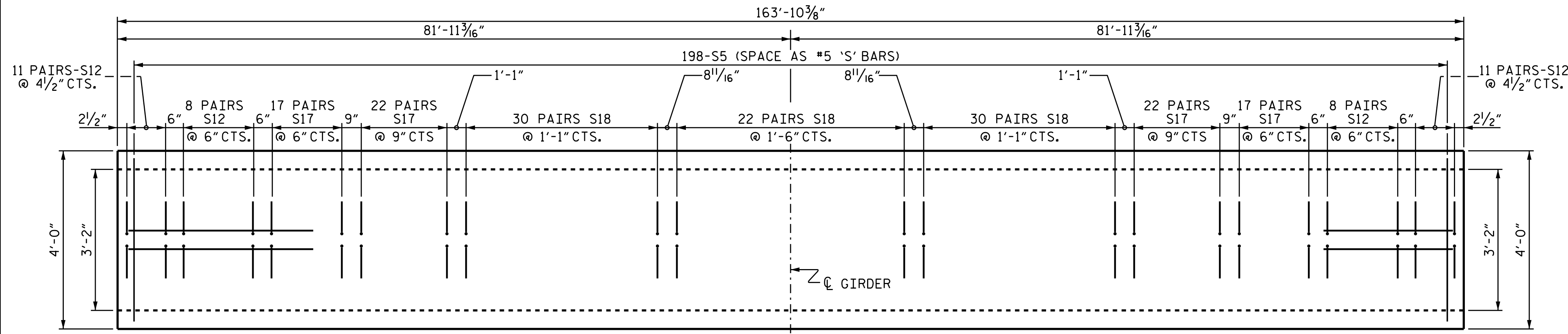


- DEBONDING LEGEND**
- FULLY BONDED STRANDS
  - ◊ STRANDS DEBONDED FOR 8'-0" FROM END OF GIRDER
  - ◻ STRANDS DEBONDED FOR 10'-0" FROM END OF GIRDER
  - ◊ STRANDS DEBONDED FOR 12'-0" FROM END OF GIRDER
  - ⊙ STRANDS DEBONDED FOR 14'-0" FROM END OF GIRDER
  - ▽ STRANDS DEBONDED FOR 16'-0" FROM END OF GIRDER



BAR	PROJECTION
S17	6"
S18	7"



DRAWN BY: A. A. IGHWAIR DATE: 01-20  
 CHECKED BY: B.N. BARODAWALA DATE: 01-20  
 DESIGN ENGINEER OF RECORD: A. A. IGHWAIR DATE: 01-20

DOCUMENT NOT CONSIDERED  
 FINAL UNLESS ALL  
 SIGNATURES COMPLETED

PROJECT NO. B-4863  
 CARTERET COUNTY  
 STATION: 34+75.00 -L-  
 SHEET 16 OF 17

STATE OF NORTH CAROLINA  
 DEPARTMENT OF TRANSPORTATION  
 RALEIGH  
 SUPERSTRUCTURE  
 78" CFRP F.I.B.  
 PRESTRESSED CONCRETE GIRDER  
 (CFRP STIRRUP OPTION)  
 SPAN H

REVISIONS

NO.	BY:	DATE:	NO.	BY:	DATE:
1			3		
2			4		

SHEET NO. S1-076  
 TOTAL SHEETS 194