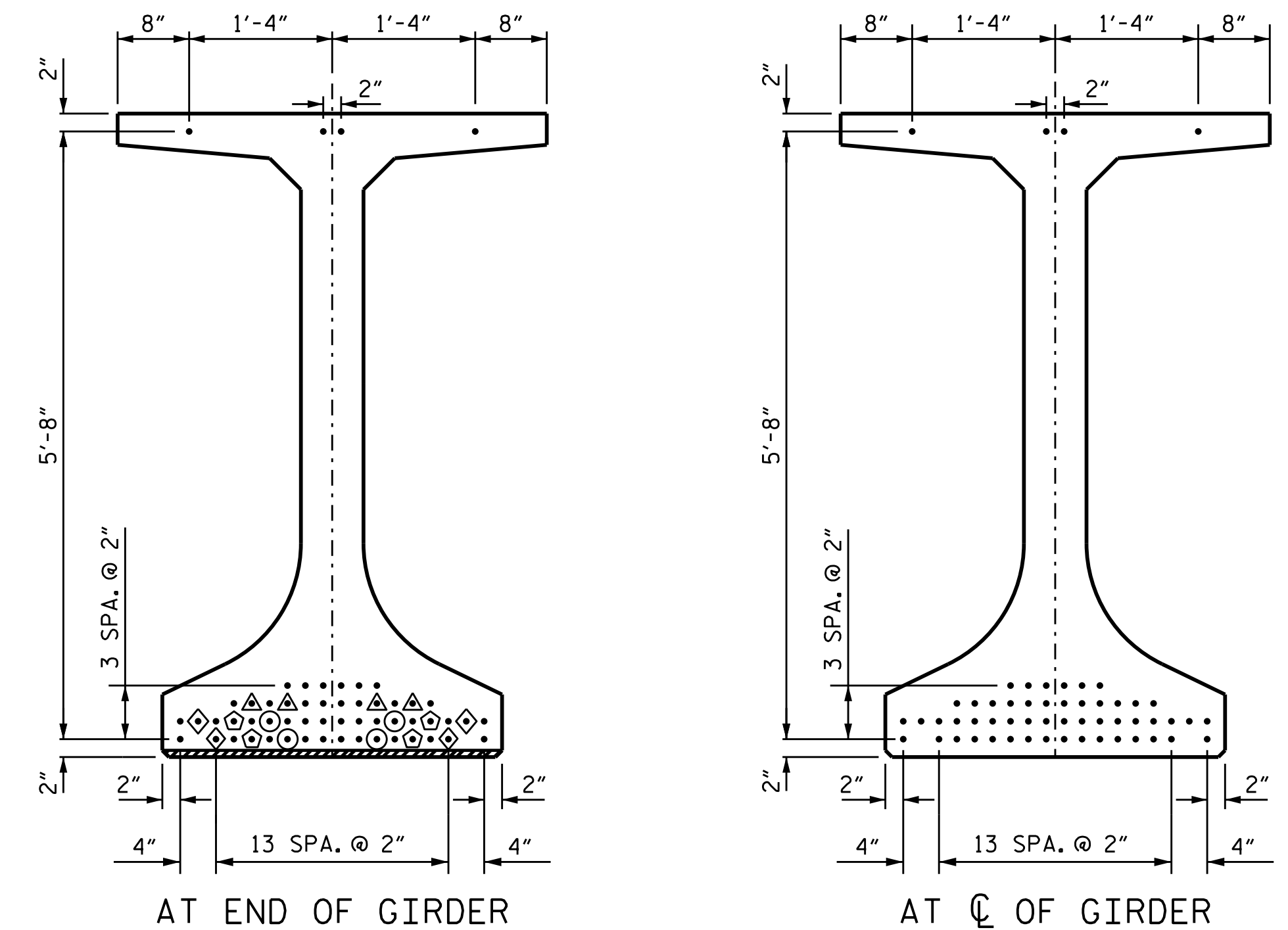
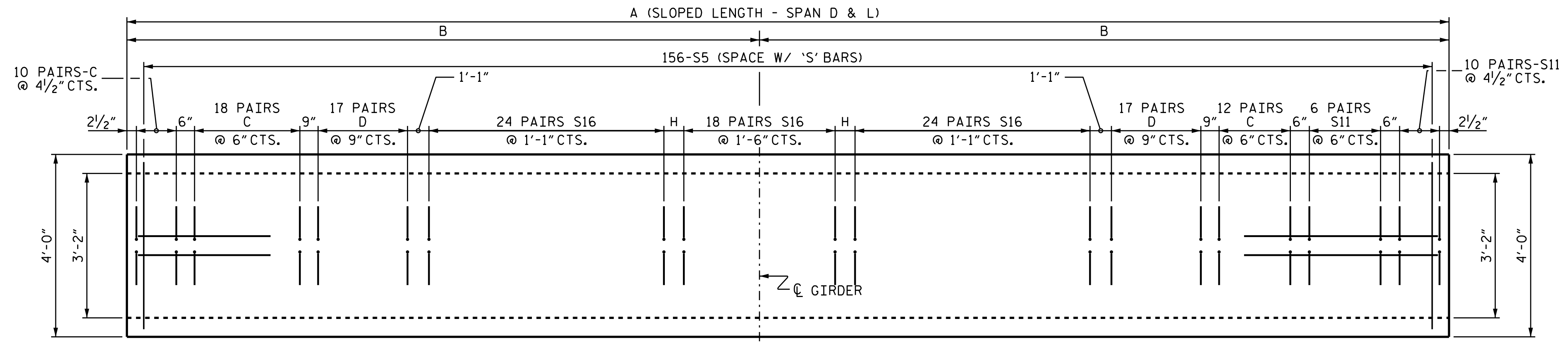


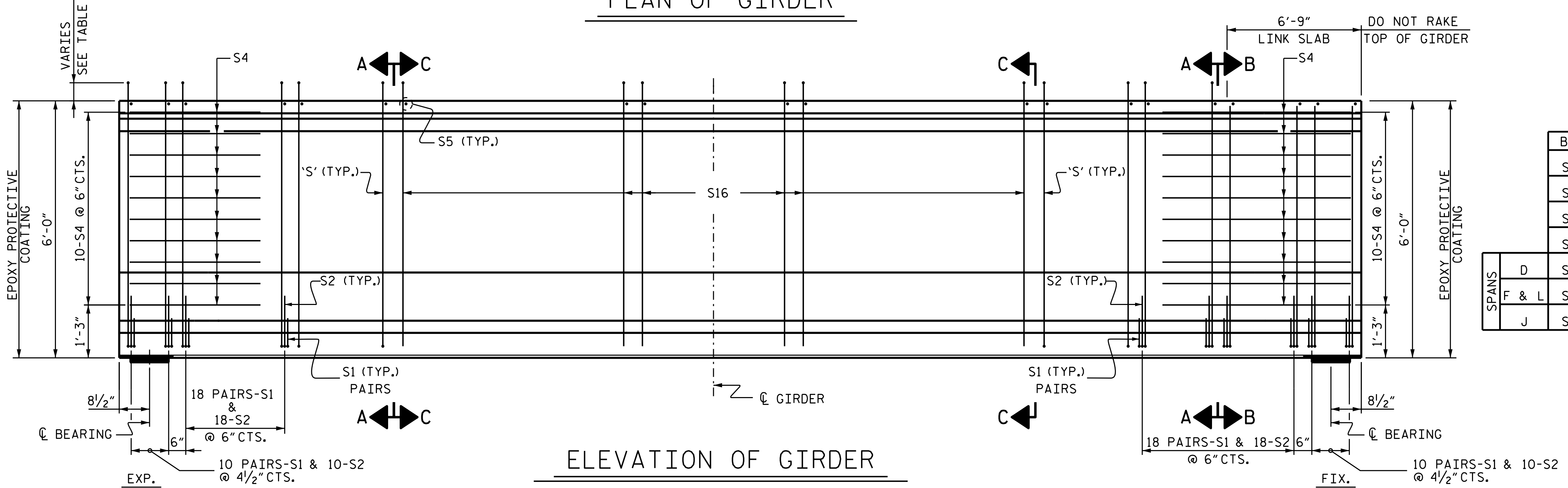
- DEBONDING LEGEND**
- FULLY BONDED STRANDS
 - STRANDS DEBONDED FOR 6'-0" FROM END OF GIRDER
 - STRANDS DEBONDED FOR 8'-0" FROM END OF GIRDER
 - STRANDS DEBONDED FOR 12'-0" FROM END OF GIRDER
 - STRANDS DEBONDED FOR 14'-0" FROM END OF GIRDER



0.6" Ø CFRP STRAND LAYOUT



PLAN OF GIRDER



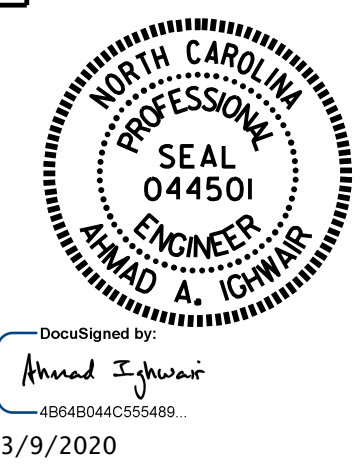
ELEVATION OF GIRDER

GIRDER	8,500 PSI CONCRETE					C.Y.
	A	B	C	D	H	
D1	129'-8 5/8"	64'-10 5/16"	S12	S12	9 5/16"	35.3
D2	129'-9 7/8"	64'-10 5/16"	S12	S12	9 5/16"	35.3
D3	129'-11 1/4"	64'-11 5/8"	S12	S12	10 5/8"	35.4
D4	130'-0 3/8"	65'-0 9/16"	S12	S12	11 5/16"	35.4
F1	129'-3 7/8"	64'-7 5/16"	S13	S13	6 5/16"	35.2
F2	129'-6 5/8"	64'-9 5/16"	S13	S13	8 5/16"	35.3
F3	129'-9 3/8"	64'-10 1/16"	S13	S13	9 1/16"	35.3
F4	130'-0 1/8"	65'-0 1/16"	S13	S13	11 1/16"	35.4
J1	129'-3 7/8"	64'-7 5/16"	S15	S15	6 5/16"	35.2
J2	129'-6 5/8"	64'-9 5/16"	S15	S15	8 5/16"	35.3
J3	129'-9 3/8"	64'-10 1/16"	S15	S15	9 1/16"	35.3
J4	130'-0 1/8"	65'-0 1/16"	S15	S15	11 1/16"	35.4
L1	129'-2 7/8"	64'-7 7/16"	S14	S13	6 7/16"	35.2
L2	129'-5 5/8"	64'-8 3/16"	S14	S13	7 3/16"	35.2
L3	129'-8 1/4"	64'-10 1/8"	S14	S13	9 1/8"	35.3
L4	129'-11"	64'-11 1/2"	S14	S13	10 1/2"	35.4

BAR	PROJECTION	
S12	5"	
S13	6"	
S14	7"	
S15	8"	
D	S16	5"
F & L	S16	6"
J	S16	8"

PROJECT NO. B-4863
CARTERET COUNTY
 STATION: 34+75.00 -L-

SHEET 8 OF 17



STATE OF NORTH CAROLINA
 DEPARTMENT OF TRANSPORTATION
 RALEIGH
 SUPERSTRUCTURE
 72" CFRP F.I.B.
 PRESTRESSED CONCRETE GIRDER
 (CFRP STIRRUP OPTION)
 SPANS D, F, J, & L

DRAWN BY: A. A. IGHWAIR DATE: 01-20
 CHECKED BY: B.N. BARODAWALA DATE: 01-20
 DESIGN ENGINEER OF RECORD: A. A. IGHWAIR DATE: 01-20

DOCUMENT NOT CONSIDERED
 FINAL UNLESS ALL
 SIGNATURES COMPLETED

REVISIONS				SHEET NO.	
NO.	BY:	DATE:	NO.	BY:	DATE:
1			3		
2			4		

TOTAL SHEETS: **194**