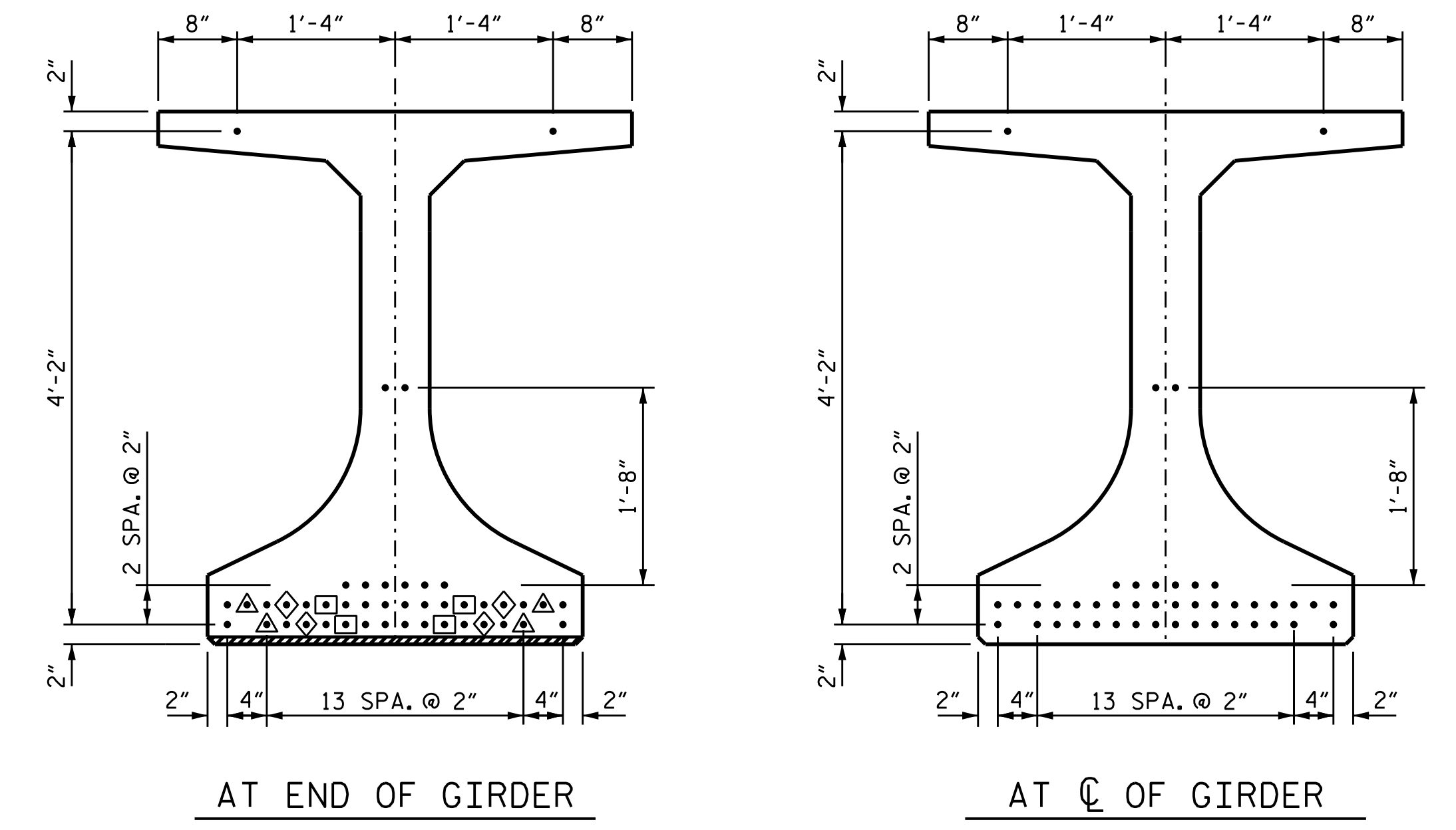


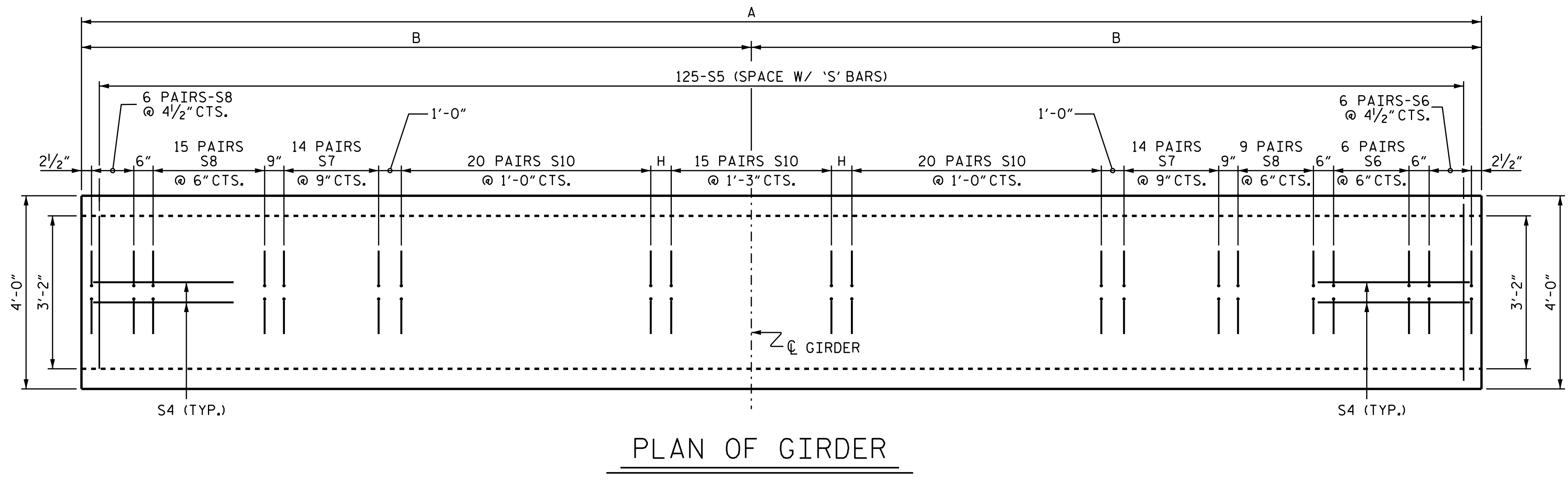
- DEBONDING LEGEND**
- FULLY BONDED STRANDS
 - ▲ STRANDS DEBONDED FOR 6'-0" FROM END OF GIRDER
 - ◆ STRANDS DEBONDED FOR 8'-0" FROM END OF GIRDER
 - STRANDS DEBONDED FOR 10'-0" FROM END OF GIRDER



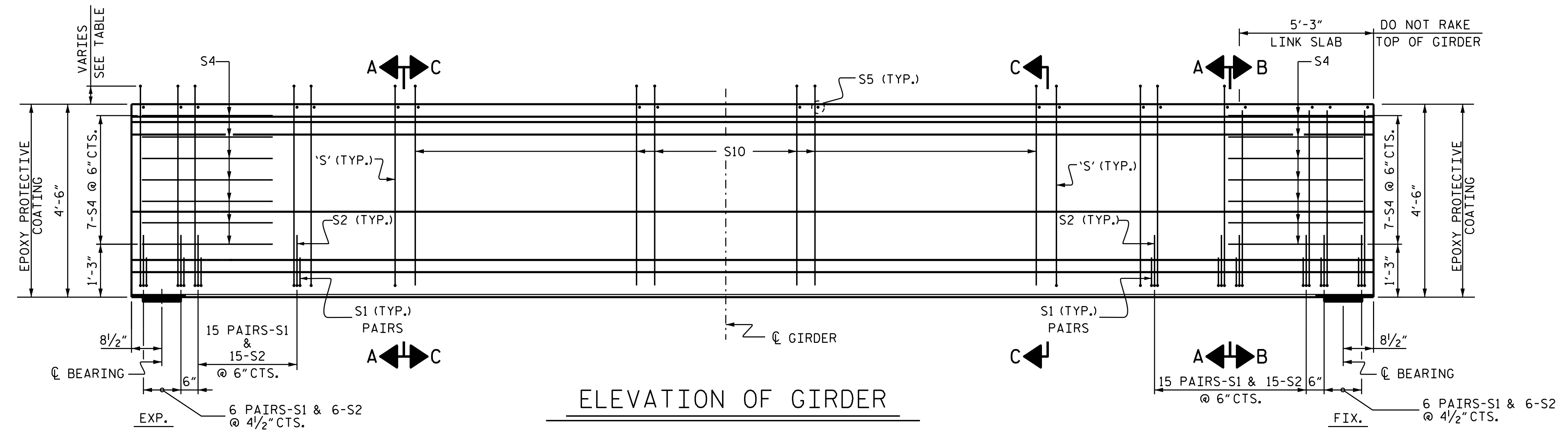
0.6" Ø CFRP STRAND LAYOUT

GIRDER	A	B	H	8,000 PSI CONCRETE
				C.Y.
X1	99'-2 ⁵ / ₈ "	49'-7 ⁵ / ₁₆ "	9 ⁵ / ₁₆ "	23.8
X2	99'-4 ¹ / ₈ "	49'-8 ¹ / ₁₆ "	10 ¹ / ₁₆ "	23.8
X3	99'-5 ³ / ₄ "	49'-8 ⁷ / ₈ "	10 ⁷ / ₈ "	23.9
X4	99'-7 ³ / ₈ "	49'-9 ¹¹ / ₁₆ "	11 ¹¹ / ₁₆ "	23.9
Z1	100'-0 ³ / ₄ "	50'-0 ³ / ₈ "	1'-2 ³ / ₈ "	24.0
Z2	99'-9 ⁵ / ₈ "	49'-10 ¹³ / ₁₆ "	1'-0 ¹³ / ₁₆ "	23.9
Z3	99'-6 ³ / ₈ "	49'-9 ³ / ₁₆ "	11 ³ / ₁₆ "	23.9
Z4	99'-3 ¹ / ₄ "	49'-7 ⁵ / ₈ "	9 ⁵ / ₈ "	23.8
AA1	100'-2 ⁵ / ₈ "	50'-1 ⁵ / ₁₆ "	1'-3 ⁵ / ₁₆ "	24.0
AA2	99'-10 ¹ / ₄ "	49'-11 ¹ / ₈ "	1'-1 ¹ / ₈ "	24.0
AA3	99'-5 ⁷ / ₈ "	49'-8 ¹⁵ / ₁₆ "	10 ¹⁵ / ₁₆ "	23.9
AA4	99'-1 ³ / ₈ "	49'-6 ¹¹ / ₁₆ "	8 ¹¹ / ₁₆ "	23.8

BAR	PROJECTION
S7	6"
S8	7"
S10	6"



PLAN OF GIRDER



ELEVATION OF GIRDER

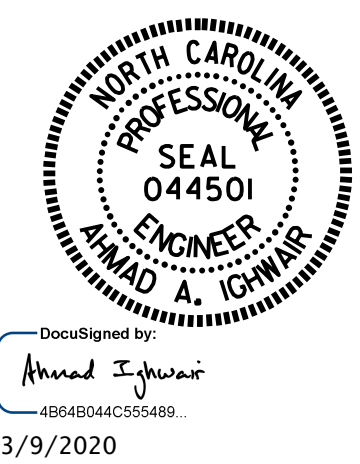
DRAWN BY: A. A. IGHWAIR DATE: 01-20
 CHECKED BY: B.N.BARODAWALA DATE: 01-20
 DESIGN ENGINEER OF RECORD: A. A. IGHWAIR DATE: 01-20

DOCUMENT NOT CONSIDERED FINAL UNLESS ALL SIGNATURES COMPLETED

PROJECT NO. B-4863
 CARTERET COUNTY
 STATION: 34+75.00 -L-

SHEET 5 OF 17

STATE OF NORTH CAROLINA
 DEPARTMENT OF TRANSPORTATION
 RALEIGH
 SUPERSTRUCTURE
 54" CFRP F.I.B.
 PRESTRESSED CONCRETE GIRDER
 (CFRP STIRRUP OPTION)
 SPANS X, Z, & AA



REVISIONS				SHEET NO.	
NO.	BY:	DATE:	NO.	BY:	DATE:
1			3		
2			4		

S1-065
 TOTAL SHEETS 194