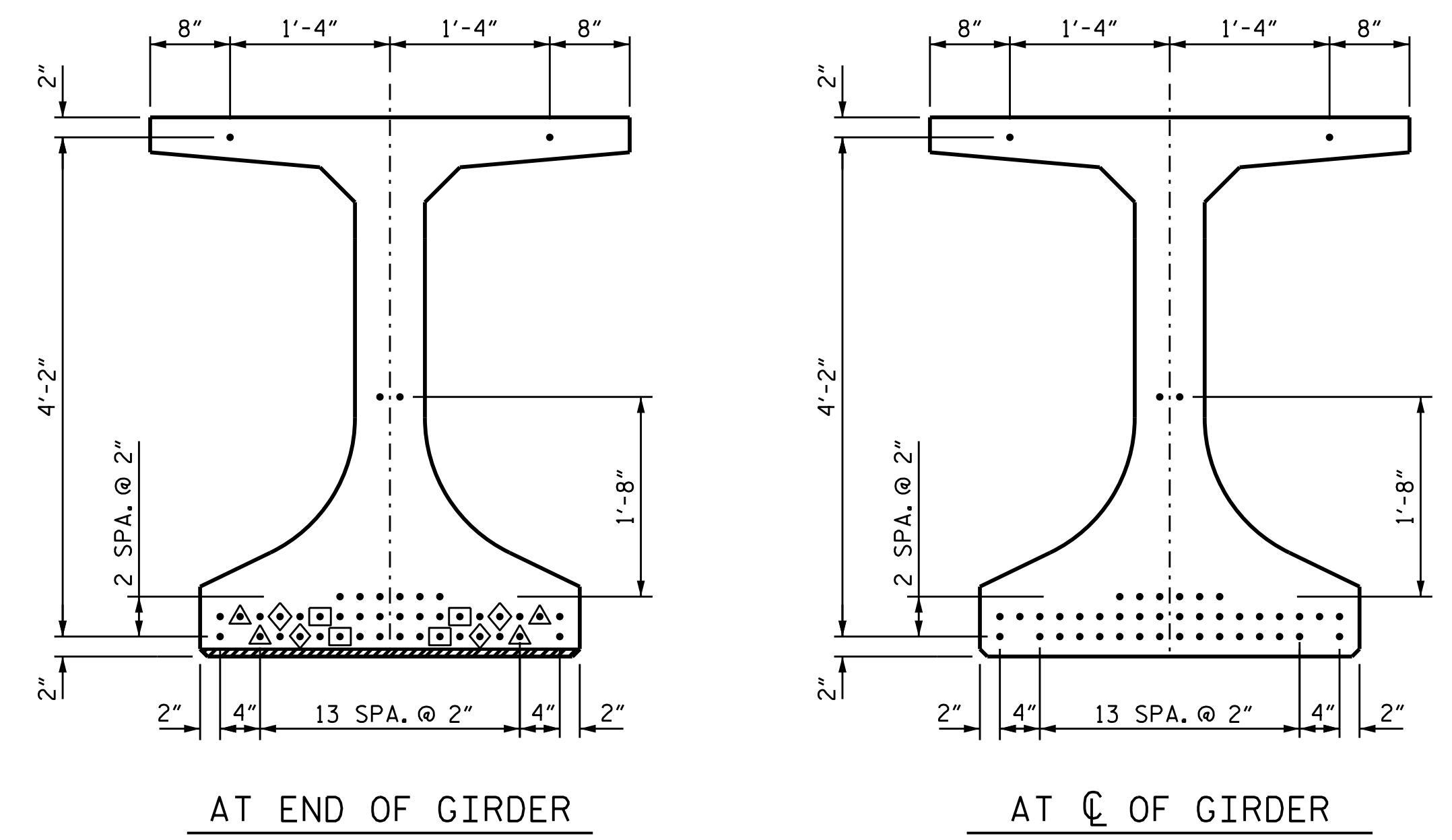


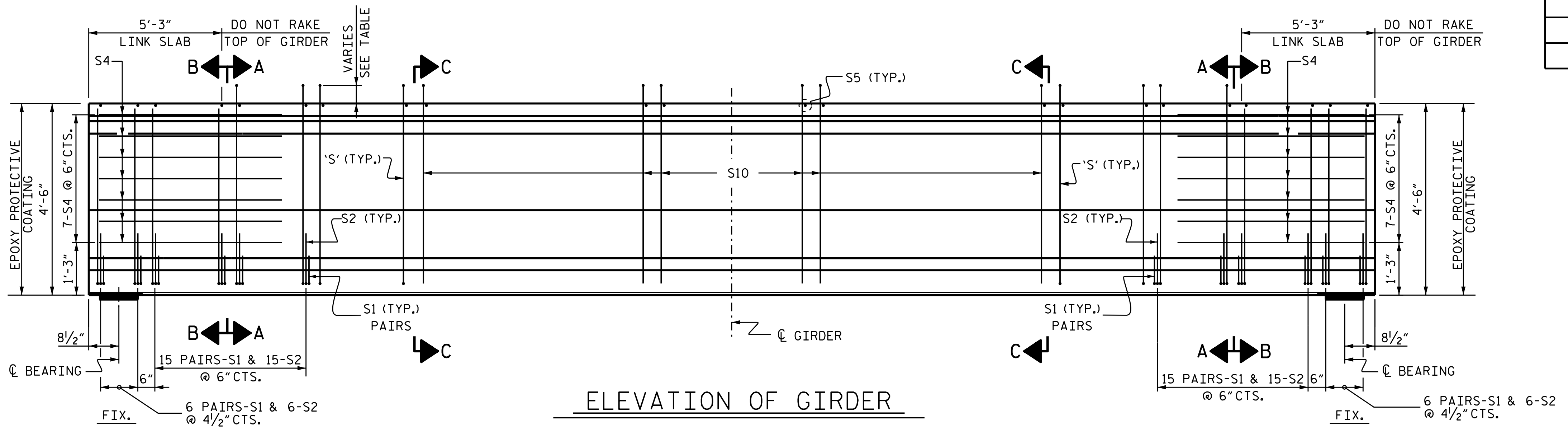
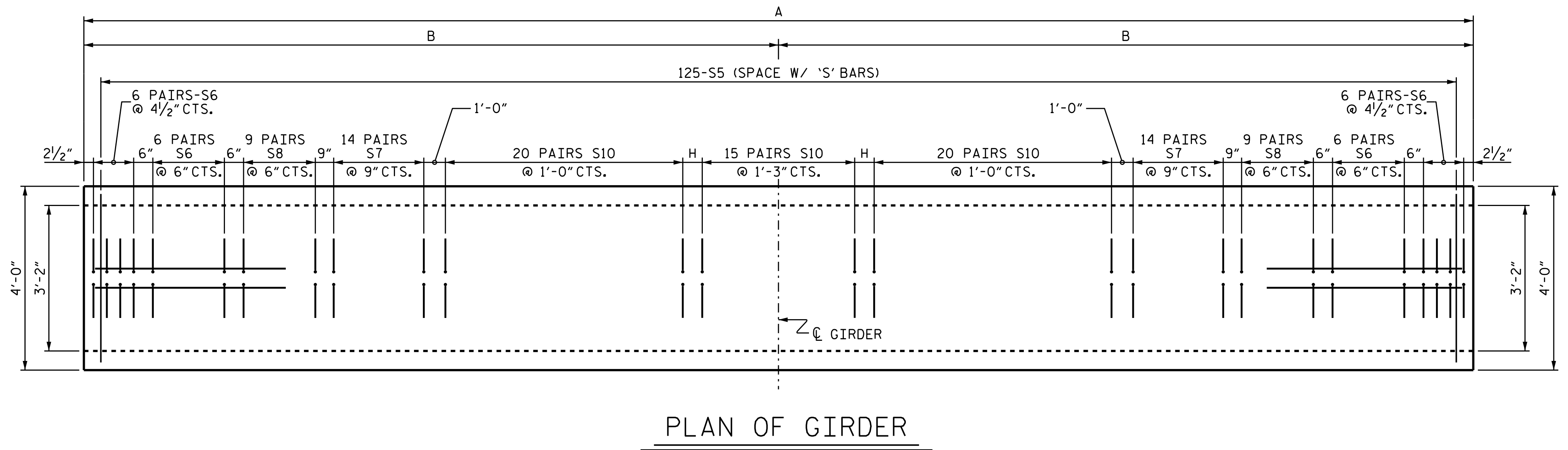
- DEBONDING LEGEND**
- FULLY BONDED STRANDS
  - ▲ STRANDS DEBONDED FOR 6'-0" FROM END OF GIRDER
  - ◆ STRANDS DEBONDED FOR 8'-0" FROM END OF GIRDER
  - STRANDS DEBONDED FOR 10'-0" FROM END OF GIRDER



**0.6" Ø CFRP STRAND LAYOUT**

| GIRDER | 8,000 PSI CONCRETE |              |            | C.Y. |
|--------|--------------------|--------------|------------|------|
|        | A                  | B            | H          |      |
| S1     | 99'-7 7/8"         | 49'-9 5/16"  | 11 5/16"   | 23.9 |
| S2     | 99'-9 7/8"         | 49'-10 5/16" | 1'-0 5/16" | 23.9 |
| S3     | 100'-0"            | 50'-0"       | 1'-2"      | 24.0 |
| S4     | 100'-2 1/8"        | 50'-1 1/16"  | 1'-3 1/16" | 24.0 |
| V1     | 99'-4 7/8"         | 49'-8 7/16"  | 10 7/16"   | 23.8 |
| V2     | 99'-6 7/8"         | 49'-9 7/16"  | 11 7/16"   | 23.9 |
| V3     | 99'-9"             | 49'-10 1/2"  | 1'-0 1/2"  | 23.9 |
| V4     | 99'-11 1/8"        | 49'-11 9/16" | 1'-1 9/16" | 24.0 |
| Y1     | 99'-8"             | 49'-10"      | 1'-0"      | 23.9 |
| Y2     | 99'-8"             | 49'-10"      | 1'-0"      | 23.9 |
| Y3     | 99'-8"             | 49'-10"      | 1'-0"      | 23.9 |
| Y4     | 99'-8"             | 49'-10"      | 1'-0"      | 23.9 |

| BAR | PROJECTION |
|-----|------------|
| S7  | 6"         |
| S8  | 7"         |
| S10 | 6"         |



DRAWN BY: A. A. IGHWAIR DATE: 01-20  
 CHECKED BY: B.N.BARODAWALA DATE: 01-20  
 DESIGN ENGINEER OF RECORD: A. A. IGHWAIR DATE: 01-20

DOCUMENT NOT CONSIDERED FINAL UNLESS ALL SIGNATURES COMPLETED

PROJECT NO. B-4863  
 CARTERET COUNTY  
 STATION: 34+75.00 -L-

SHEET 4 OF 17

| STATE OF NORTH CAROLINA DEPARTMENT OF TRANSPORTATION RALEIGH      |     |       |     |     |       |
|---|-----|-------|-----|-----|-------|
| SUPERSTRUCTURE  |     |       |     |     |       |
| 54" CFRP F.I.B. PRESTRESSED CONCRETE GIRDER (CFRP STIRRUP OPTION) |     |       |     |     |       |
| SPANS S, V, & Y   |     |       |     |     |       |
| REVISIONS   |     |       |     |     |       |
| NO.   | BY: | DATE: | NO. | BY: | DATE: |
| 1   |     |       | 3   |     |       |
| 2   |     |       | 4   |     |       |

SHEET NO. S1-064  
 TOTAL SHEETS 194