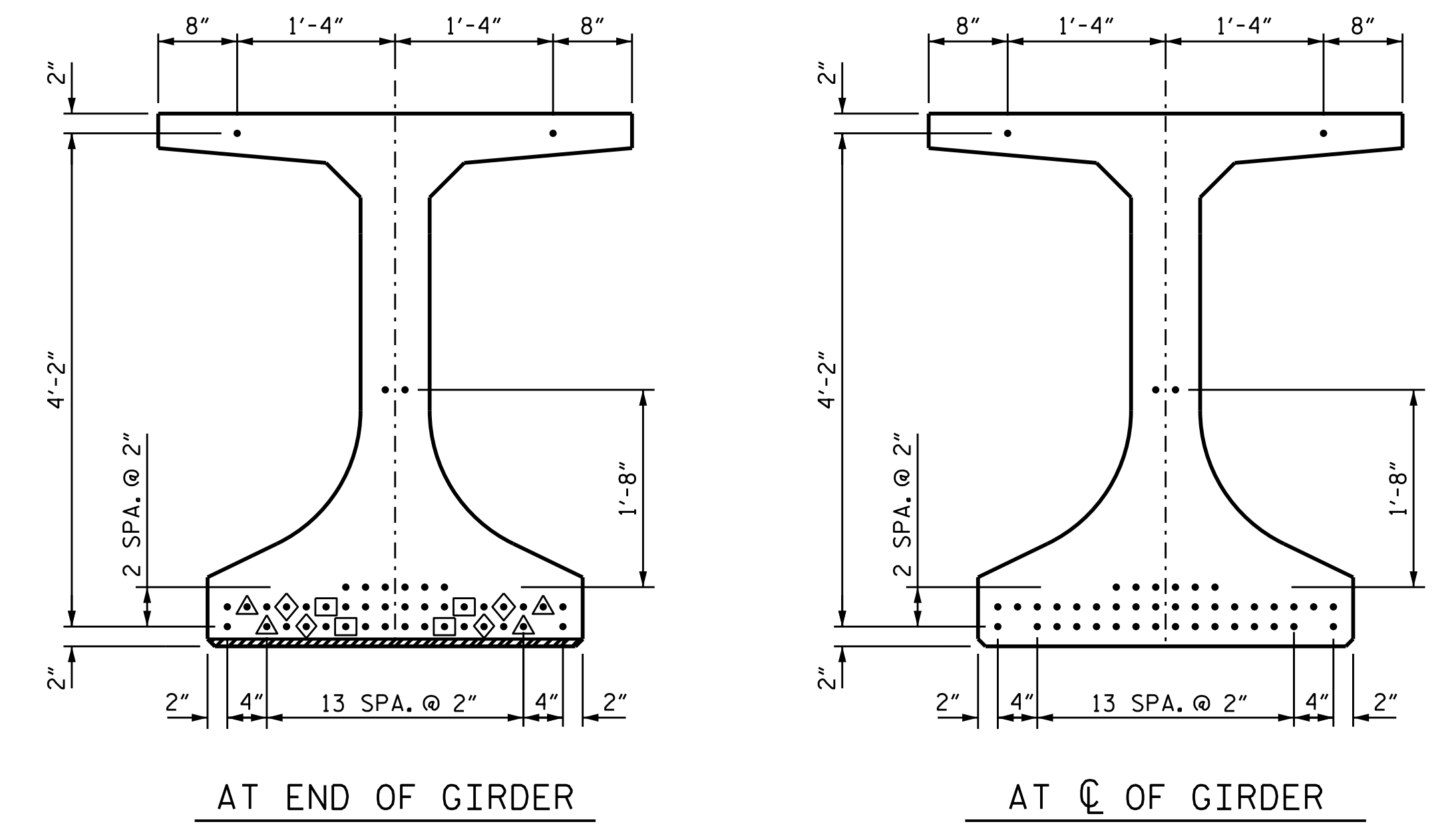


- DEBONDING LEGEND**
- FULLY BONDED STRANDS
 - ▲ STRANDS DEBONDED FOR 6'-0" FROM END OF GIRDER
 - ◆ STRANDS DEBONDED FOR 8'-0" FROM END OF GIRDER
 - STRANDS DEBONDED FOR 10'-0" FROM END OF GIRDER



0.6" Ø CFRP STRAND LAYOUT

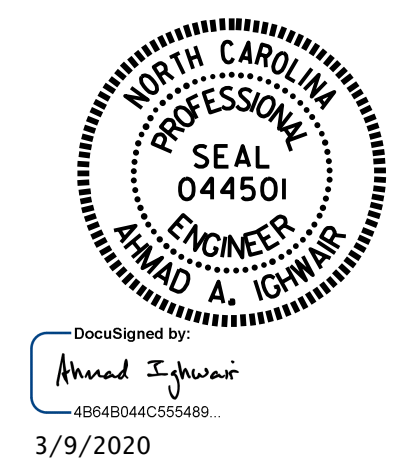
GIRDER	8,000 PSI CONCRETE			C.Y.
	A	B	H	
R1	99'-4 7/8"	49'-8 7/16"	10 7/16"	23.8
R2	99'-6 7/8"	49'-9 7/16"	11 7/16"	23.9
R3	99'-9"	49'-10 1/2"	1'-0 1/2"	23.9
R4	99'-11 1/8"	49'-11 3/16"	1'-1 9/16"	24.0
T1	99'-4 7/8"	49'-8 7/16"	10 7/16"	23.8
T2	99'-6 7/8"	49'-9 7/16"	11 7/16"	23.9
T3	99'-9"	49'-10 1/2"	1'-0 1/2"	23.9
T4	99'-11 1/8"	49'-11 3/16"	1'-1 9/16"	24.0
U1	99'-1 7/8"	49'-6 15/16"	8 15/16"	23.8
U2	99'-3 7/8"	49'-7 15/16"	9 15/16"	23.8
U3	99'-6"	49'-9"	11"	23.9
U4	99'-8 1/8"	49'-10 1/16"	1'-0 1/16"	23.9
W1	99'-4 7/8"	49'-8 7/16"	10 7/16"	23.8
W2	99'-6 7/8"	49'-9 7/16"	11 7/16"	23.9
W3	99'-9"	49'-10 1/2"	1'-0 1/2"	23.9
W4	99'-11 1/8"	49'-11 3/16"	1'-1 9/16"	24.0

BAR	PROJECTION
S7	6"
S8	7"
S10	6"

PROJECT NO. B-4863
CARTERET COUNTY
 STATION: 34+75.00 -L-

SHEET 3 OF 17

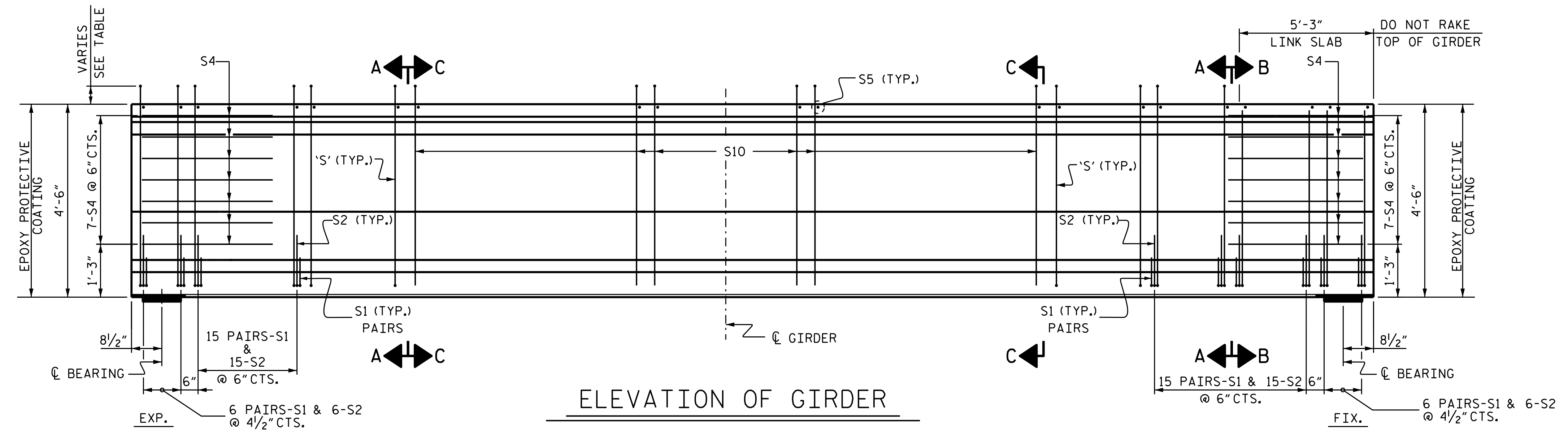
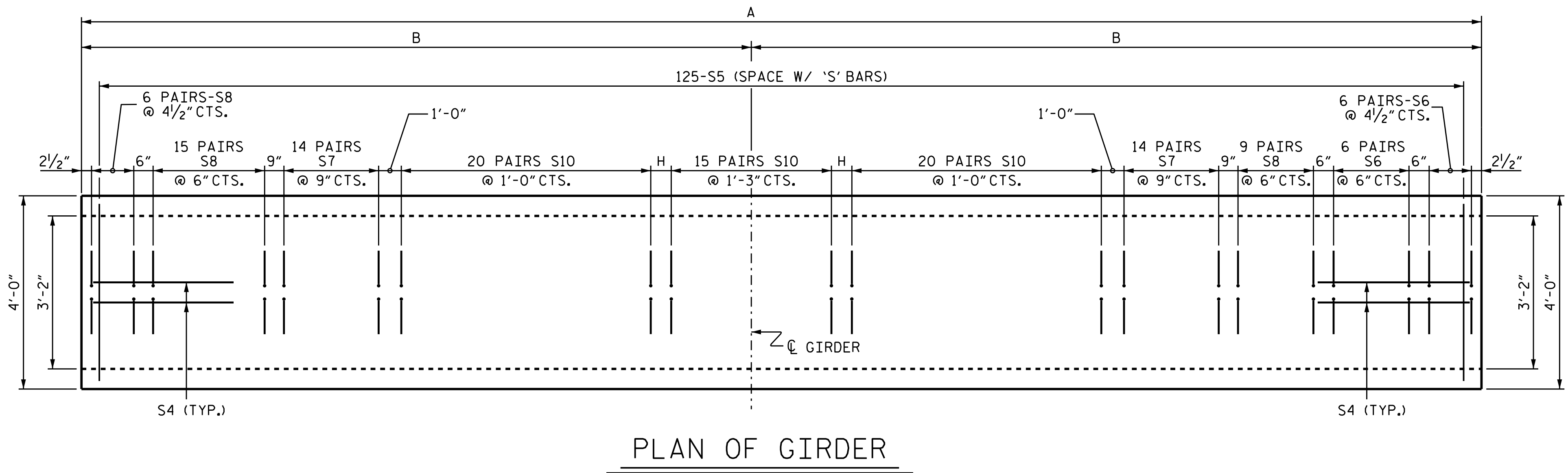
STATE OF NORTH CAROLINA
 DEPARTMENT OF TRANSPORTATION
 RALEIGH
 SUPERSTRUCTURE
 54" CFRP F.I.B.
 PRESTRESSED CONCRETE GIRDER
 (CFRP STIRRUP OPTION)
 SPANS R, T, U, & W



DOCUMENT NOT CONSIDERED
 FINAL UNLESS ALL
 SIGNATURES COMPLETED

REVISIONS				SHEET NO.	
NO.	BY:	DATE:	NO.	BY:	DATE:
1			3		
2			4		

S1-063
 TOTAL SHEETS: 194



DRAWN BY: A. A. IGHWAIR DATE: 01-20
 CHECKED BY: B.N. BARODAWALA DATE: 01-20
 DESIGN ENGINEER OF RECORD: A. A. IGHWAIR DATE: 01-20