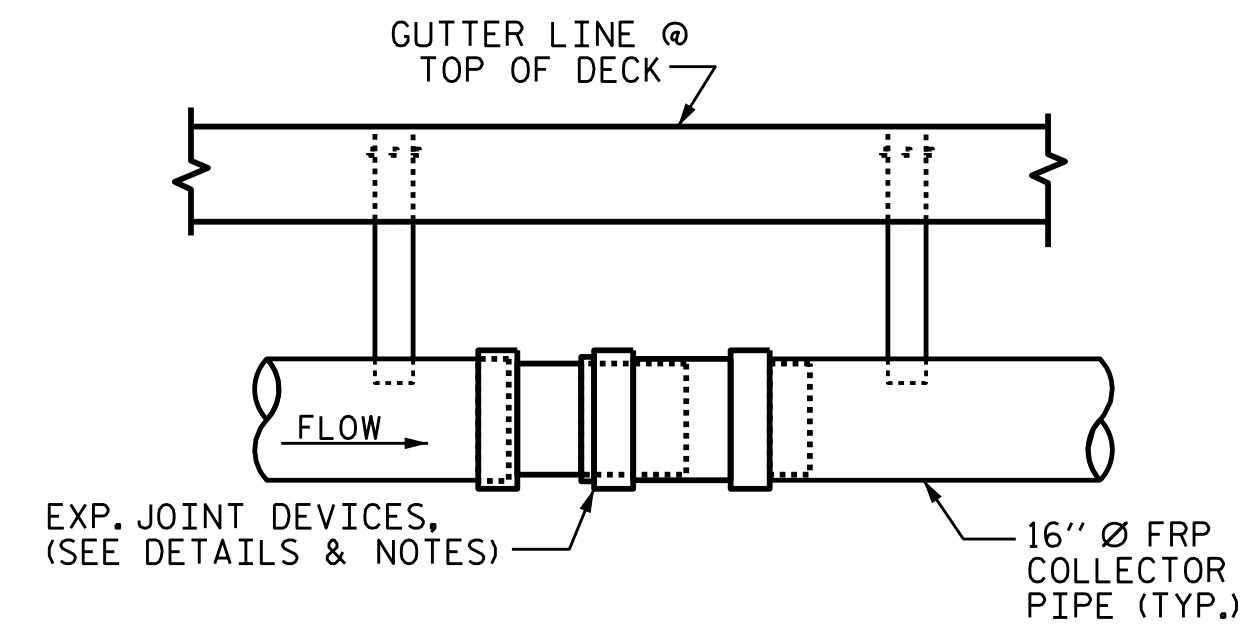
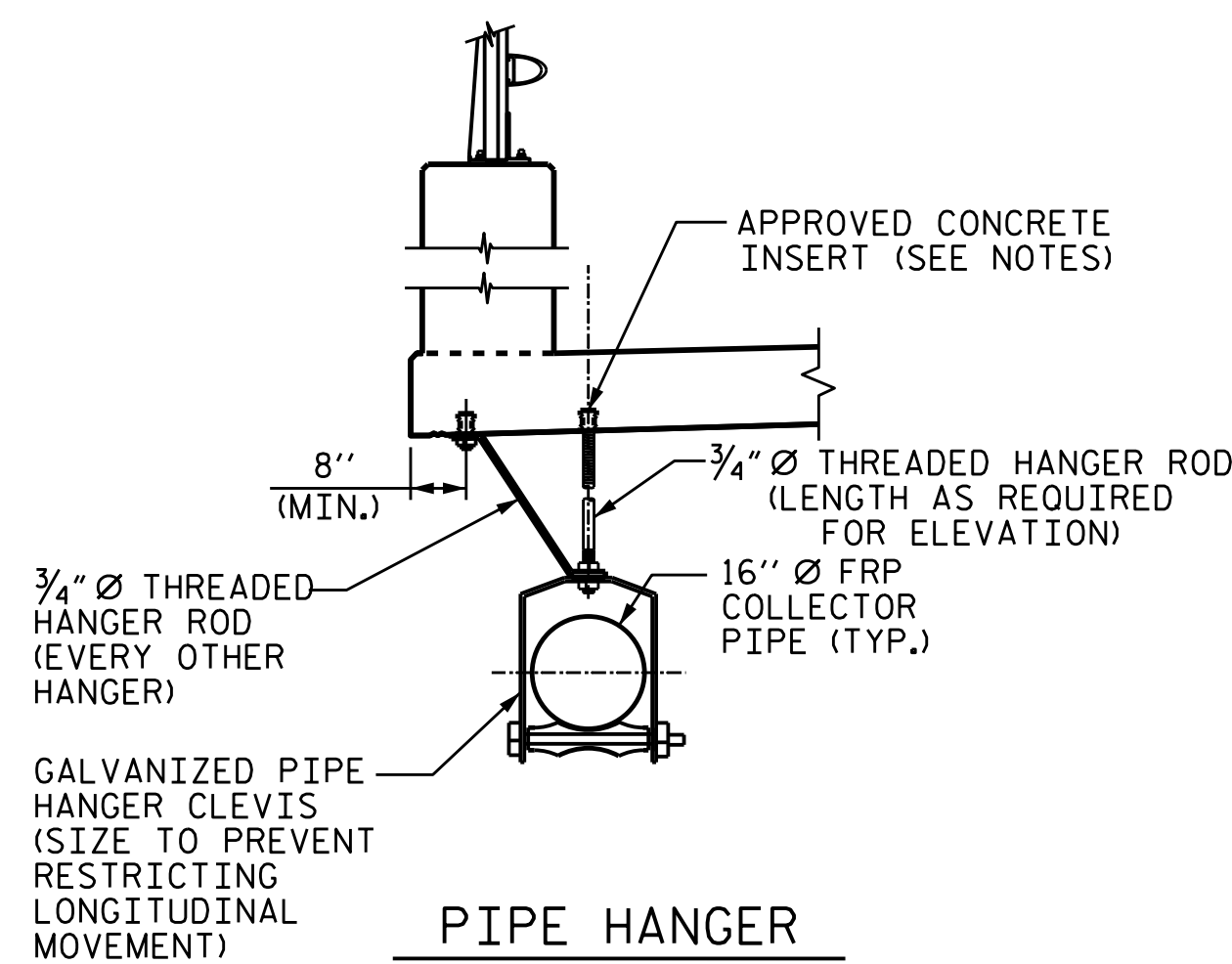


PIPE THRU BACKWALL

THE DIAMETER OF THE PVC SLEEVE SHALL BE 4" LARGER THAN THE COLLECTOR PIPE. CENTER PIPE IN BLOCKOUT AND FILL ANNULUS SPACE AROUND PIPE WITH JOINT FILLER IN ACCORDANCE WITH STANDARD SPECIFICATION ARTICLE 1028-1.

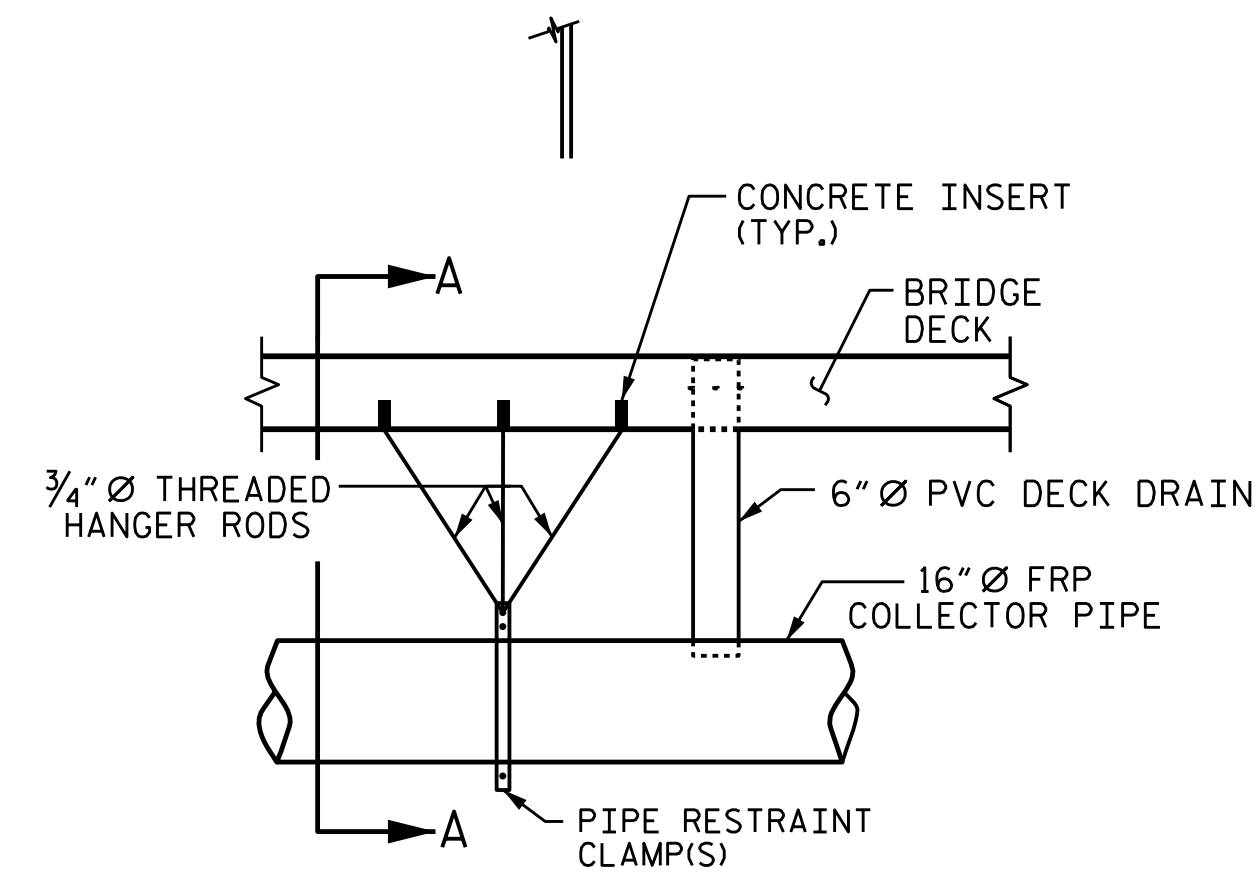


EXPANSION JOINT DETAIL

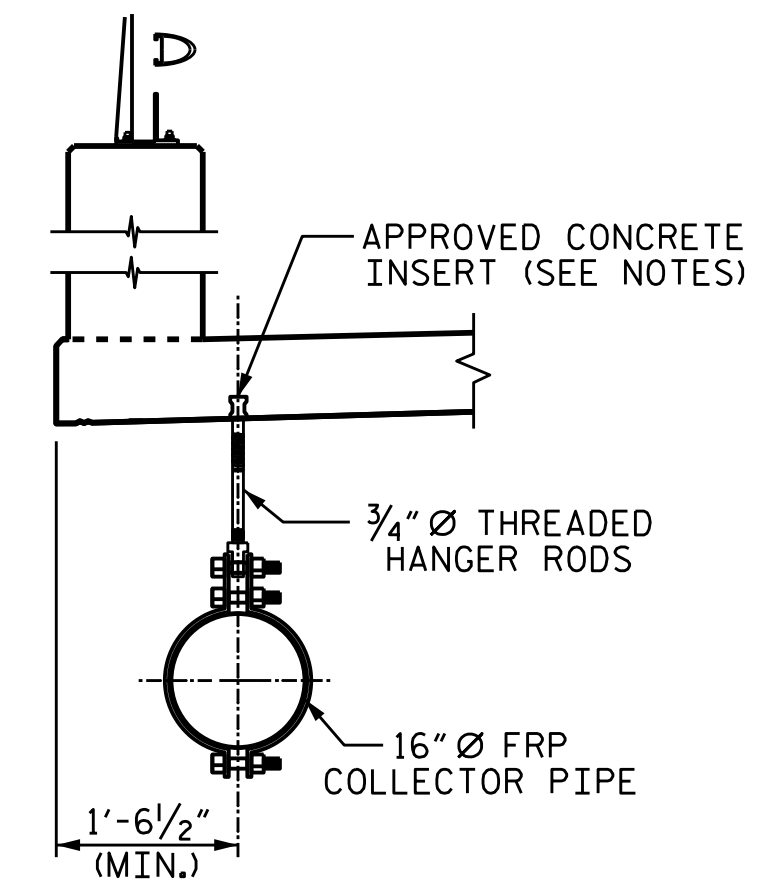


PIPE HANGER

COLLECTOR PIPE SUPPORT

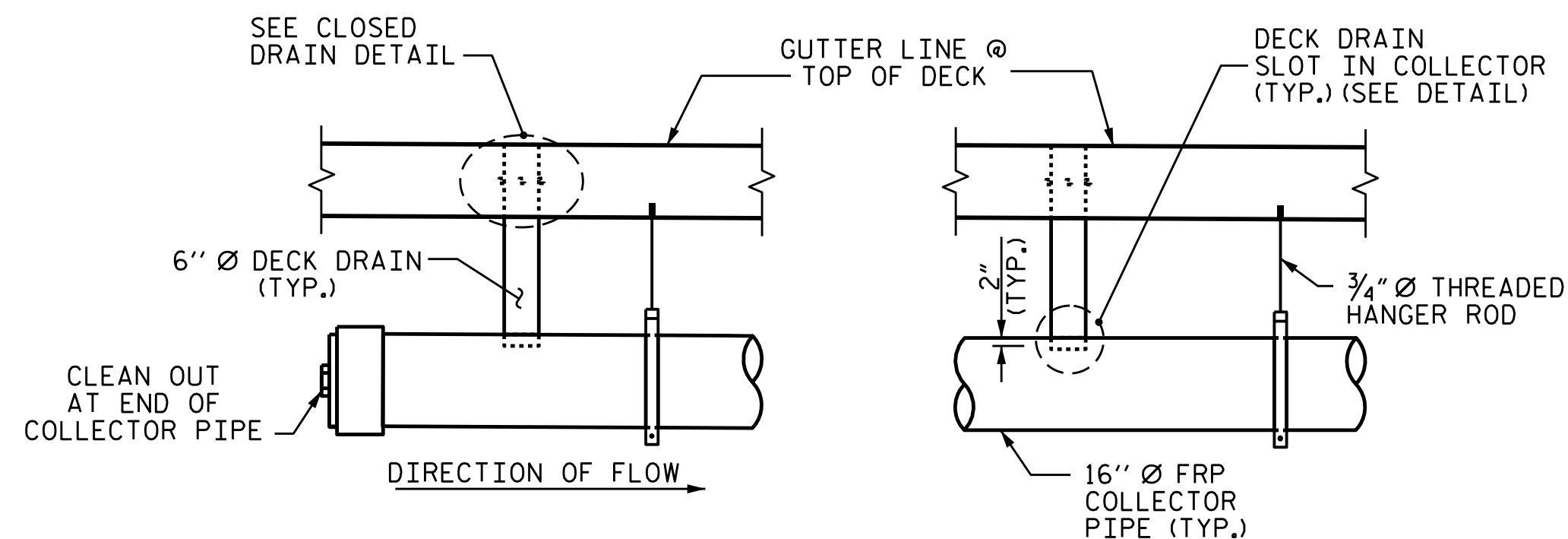


ELEVATION VIEW



SECTION A-A

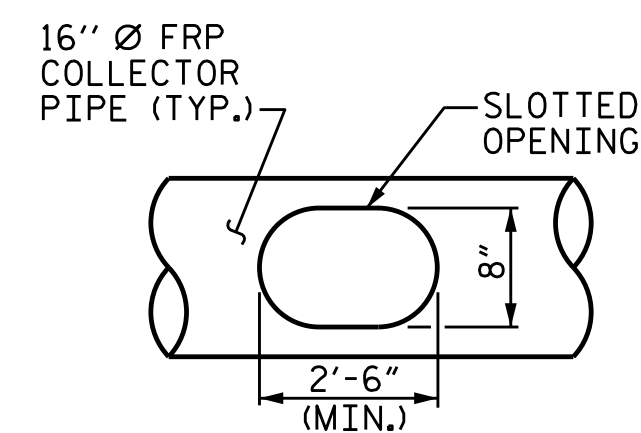
LONGITUDINAL RESTRAINT DETAIL



AT END OF SYSTEM

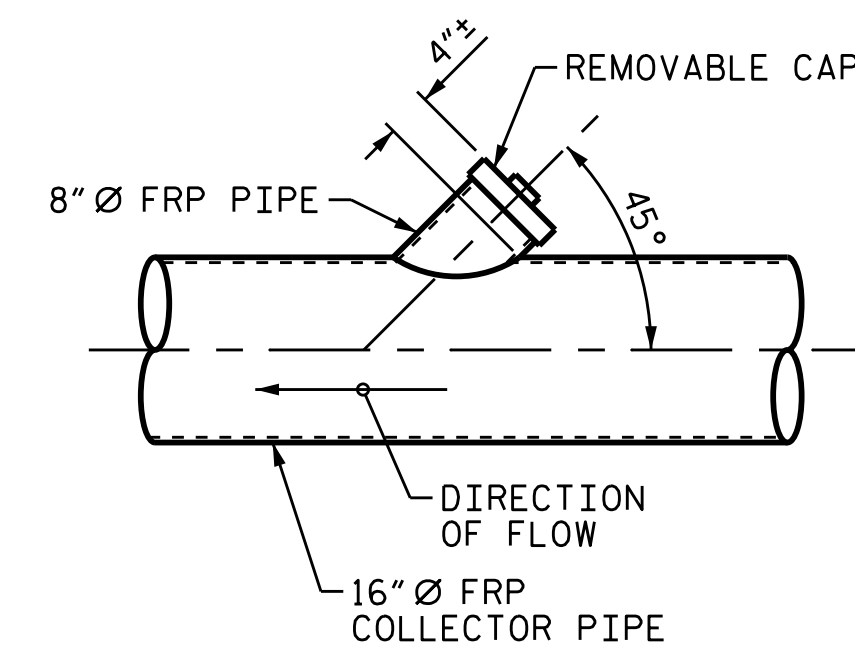
AT DECK DRAINS

ELEVATION THRU DRAINAGE SYSTEM



SLOT DETAIL

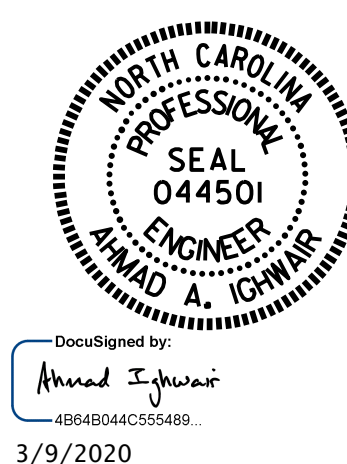
NOTE: THE 2'-6" MINIMUM SLOTTED OPENING LENGTH SHALL BE INCREASED ACCORDINGLY BY ANY AMOUNT OF EXPANSION JOINT DEVICE EXPANSION CAPACITY LENGTH EXCEEDING 1'-0".



CLEANOUT DETAIL

PROJECT NO. B-4863
CARTERET COUNTY
 STATION: 34+75.00 -L-

SHEET 5 OF 6



STATE OF NORTH CAROLINA
 DEPARTMENT OF TRANSPORTATION
 RALEIGH
 SUPERSTRUCTURE
 STRUCTURE
 DRAINAGE SYSTEM

DRAWN BY : B. N. BARODAWALA DATE : 6-19
 CHECKED BY : M.A. ALLEN DATE : 1-20
 DESIGN ENGINEER OF RECORD: A. A. IGHWAIR DATE : 1-20

DOCUMENT NOT CONSIDERED FINAL UNLESS ALL SIGNATURES COMPLETED

REVISIONS						SHEET NO.
NO.	BY:	DATE:	NO.	BY:	DATE:	TOTAL SHEETS
1			3			S1-053
2			4			194