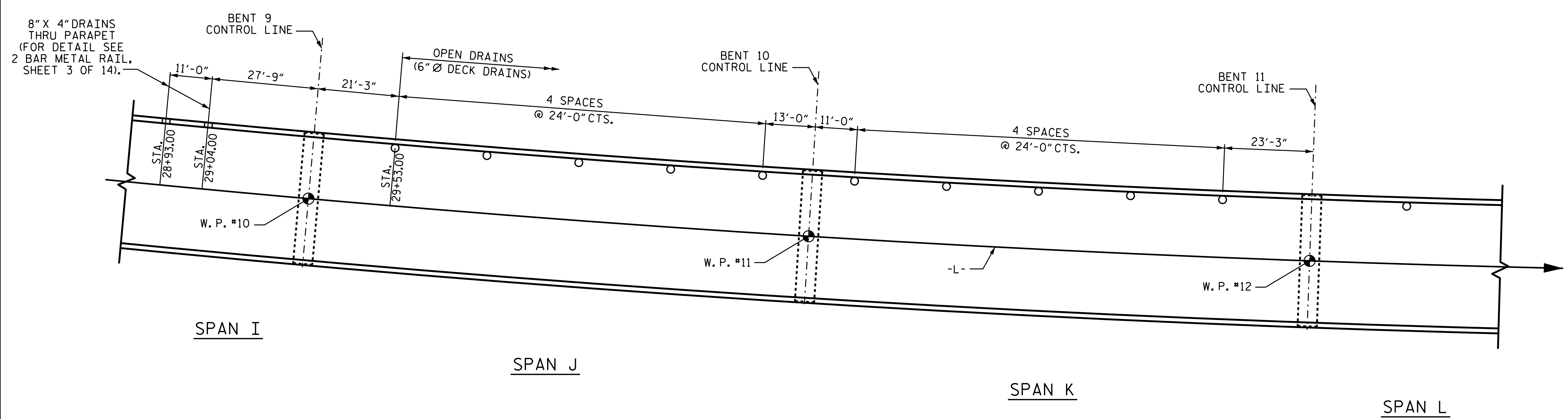


PLAN OF DRAINS

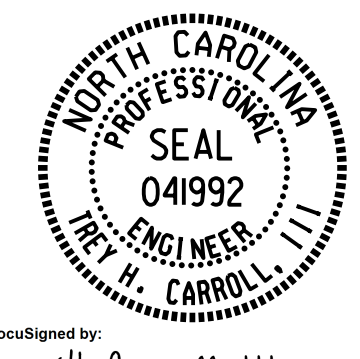


PLAN OF DRAINS

**NOTES:**  
FOR NOTES, SEE SHEET 2 OF 3.

PROJECT NO. B-4863  
CARTERET COUNTY  
STATION: 34+75.00 -L-

SHEET 1 OF 6



DocuSigned by:  
*Irey H. Carroll III*  
061628E0D9C748E...  
3/9/2020

STATE OF NORTH CAROLINA  
DEPARTMENT OF TRANSPORTATION  
RALEIGH

**STRUCTURE  
DRAINAGE SYSTEM**

DRAWN BY :	M.A. ALLEN	DATE :	3/19
CHECKED BY :	B.N. BARODAWALA	DATE :	7/19
DESIGN ENGINEER OF RECORD:	I.H. CARROLL	DATE :	12/19

DOCUMENT NOT CONSIDERED  
FINAL UNLESS ALL  
SIGNATURES COMPLETED

REVISIONS						SHEET NO.
NO.	BY:	DATE:	NO.	BY:	DATE:	TOTAL SHEETS
1			3			S1-049
2			4			194