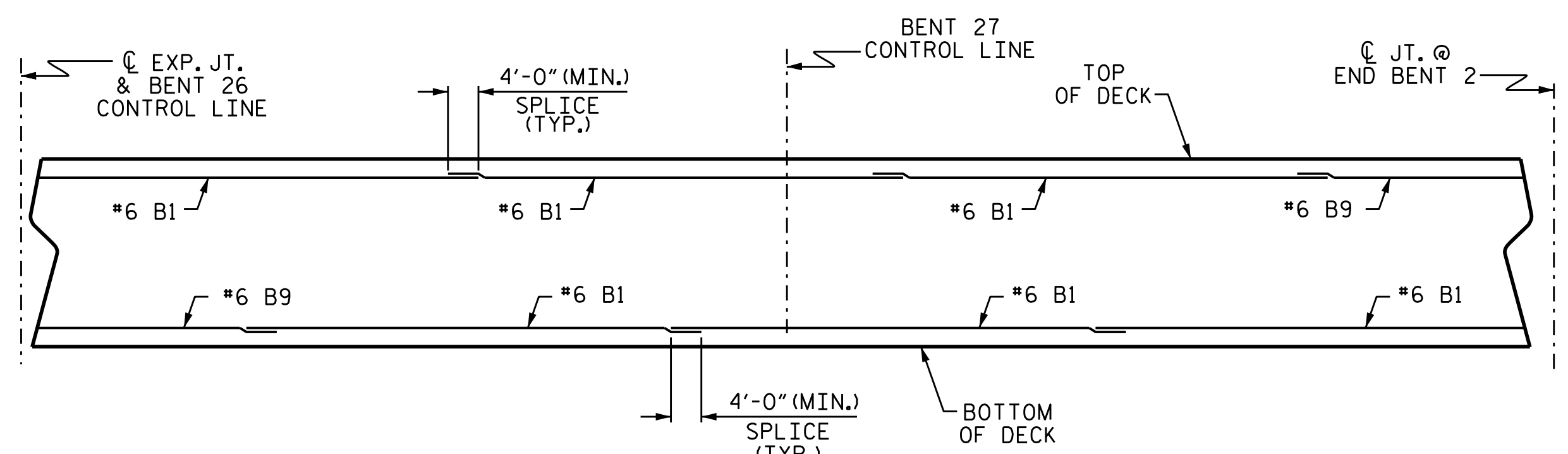
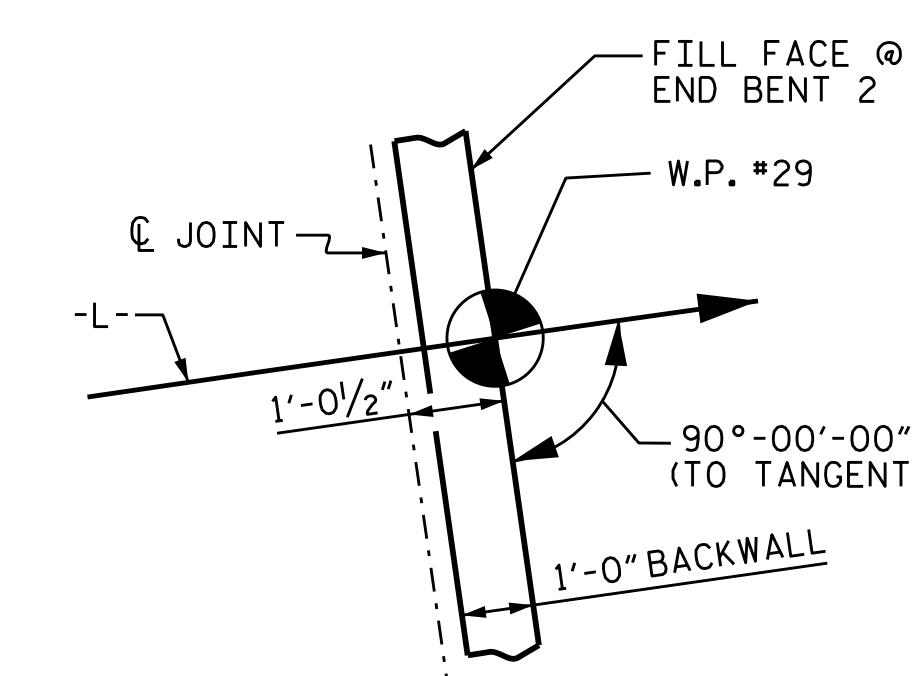
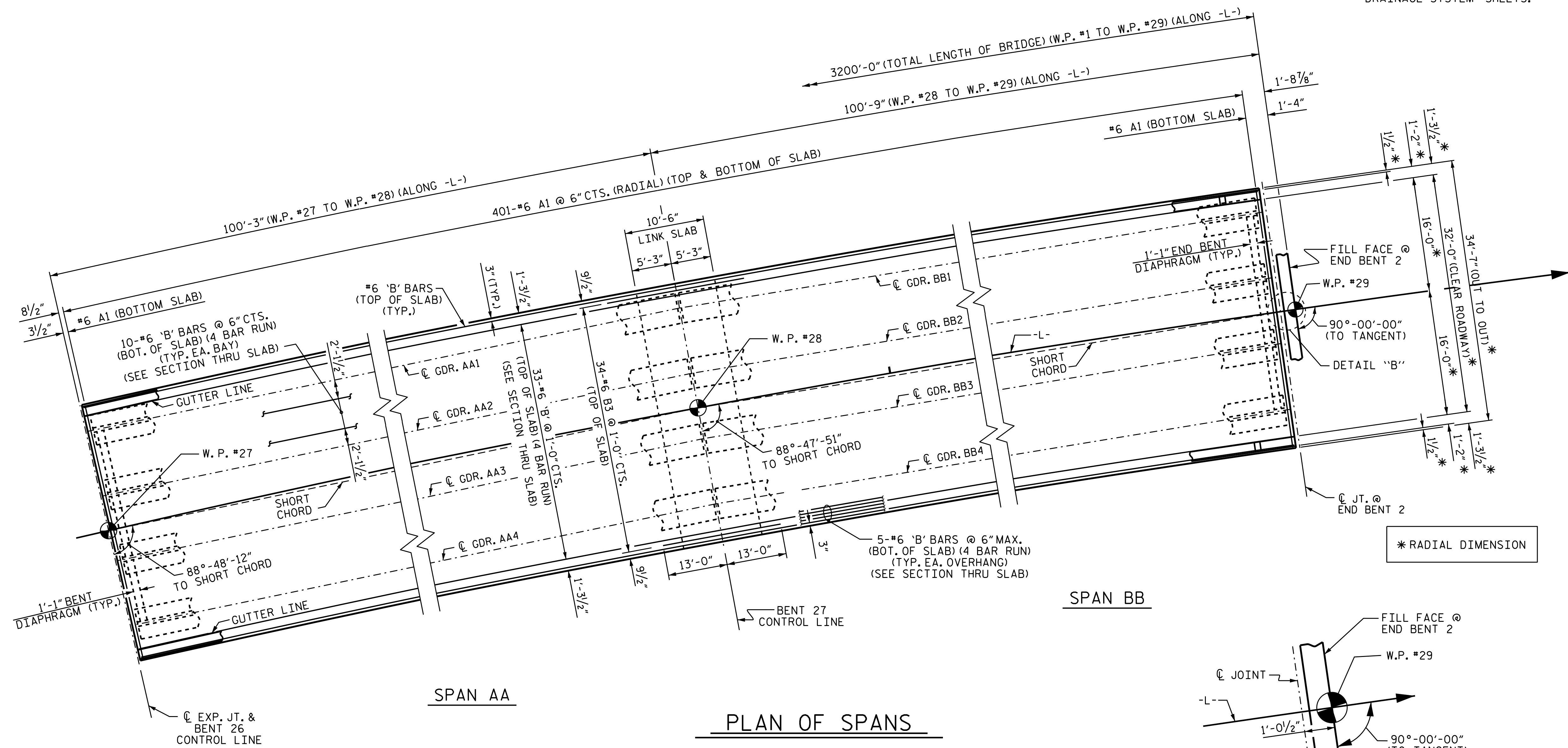


NOTES:

FOR NOTES, SEE SHEET 1 OF 9

FOR DECK DRAIN LOCATIONS AND DETAILS, SEE "STRUCTURE DRAINAGE SYSTEM" SHEETS.



SECTION THRU SLAB
#6 A1 AND #6 B3 BARS NOT SHOWN FOR CLARITY

PROJECT NO. B-4863
CARTERET COUNTY
STATION: 34+75.00 -L-

SHEET 8 OF 9

STATE OF NORTH CAROLINA
DEPARTMENT OF TRANSPORTATION
RALEIGH
SUPERSTRUCTURE
PLAN OF SPANS
SPAN AA & BB



DocuSigned by:
Ahmad A. Ighwair
48648044C555489
4/16/2021

DRAWN BY: B. N. BARODAWALA DATE: 10-18
CHECKED BY: M. A. ALLEN DATE: 3-19
DESIGN ENGINEER OF RECORD: A.A.IGHWAIR DATE: 4-19

REVISIONS						SHEET NO.	
NO.	BY:	DATE:	NO.	BY:	DATE:	S1-047	
1			3			TOTAL SHEETS	
2			4			194	