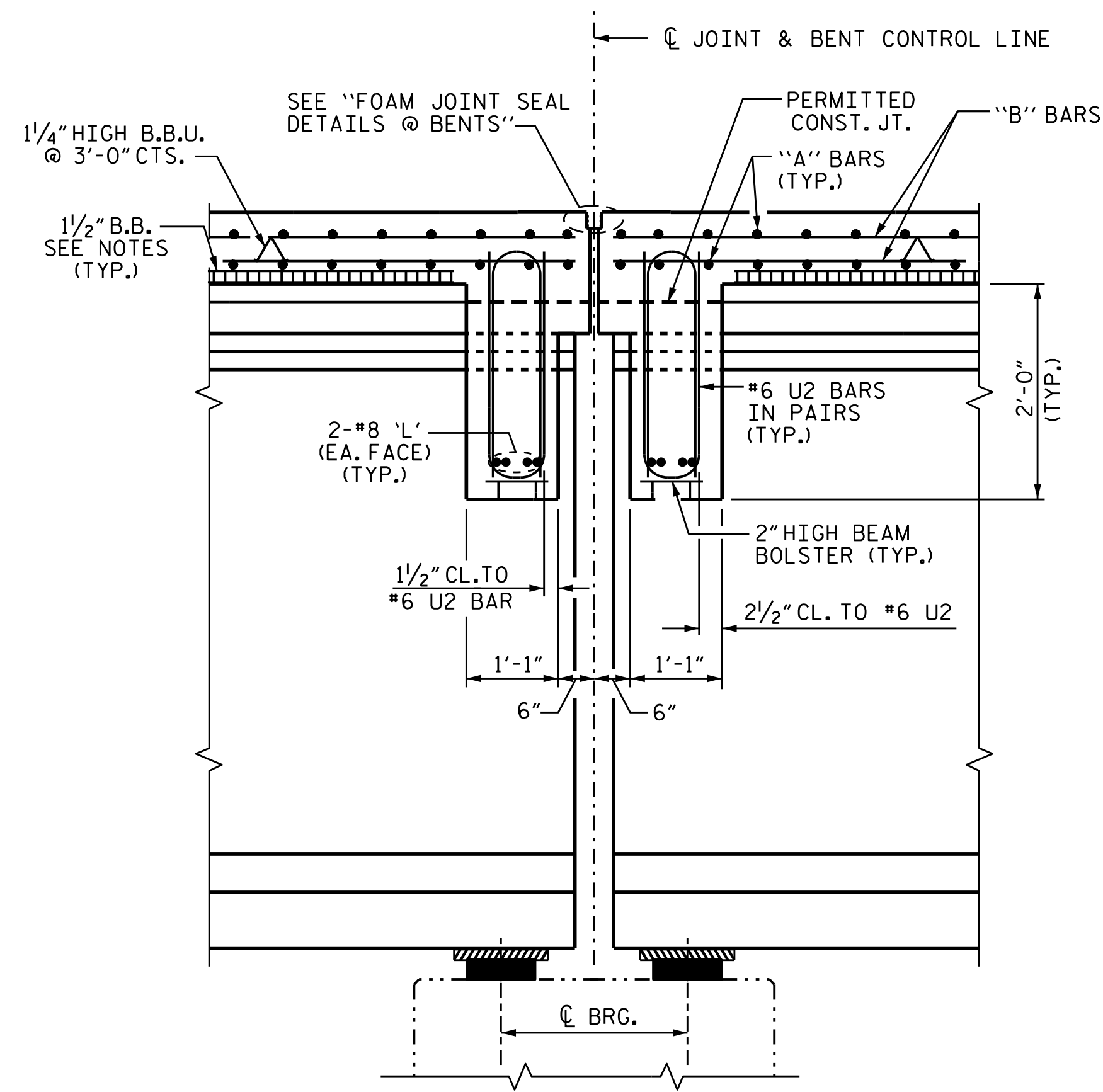


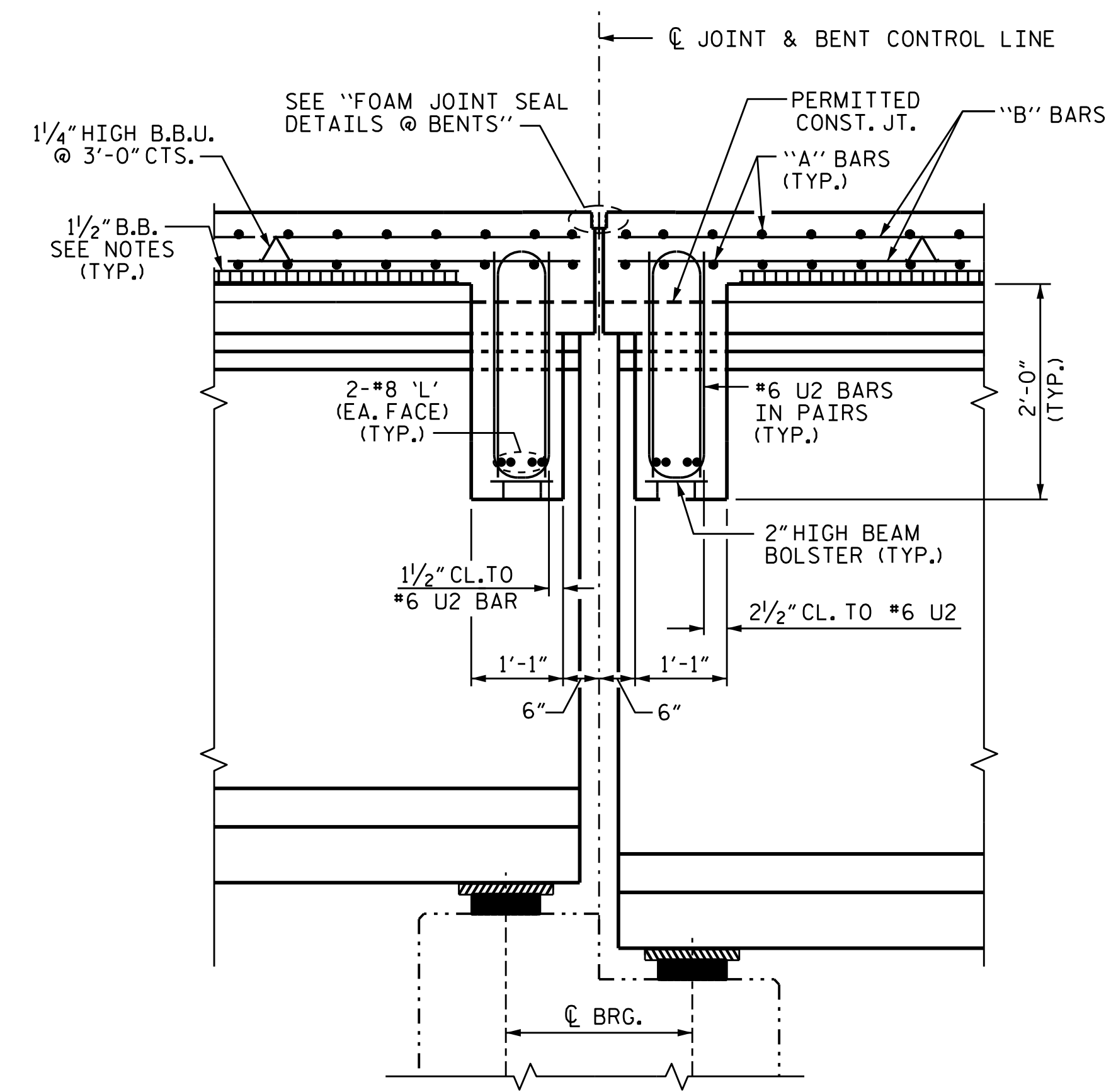
SECTION @ END BENT

END BENT 1 SHOWN
END BENT 2 SIMILAR



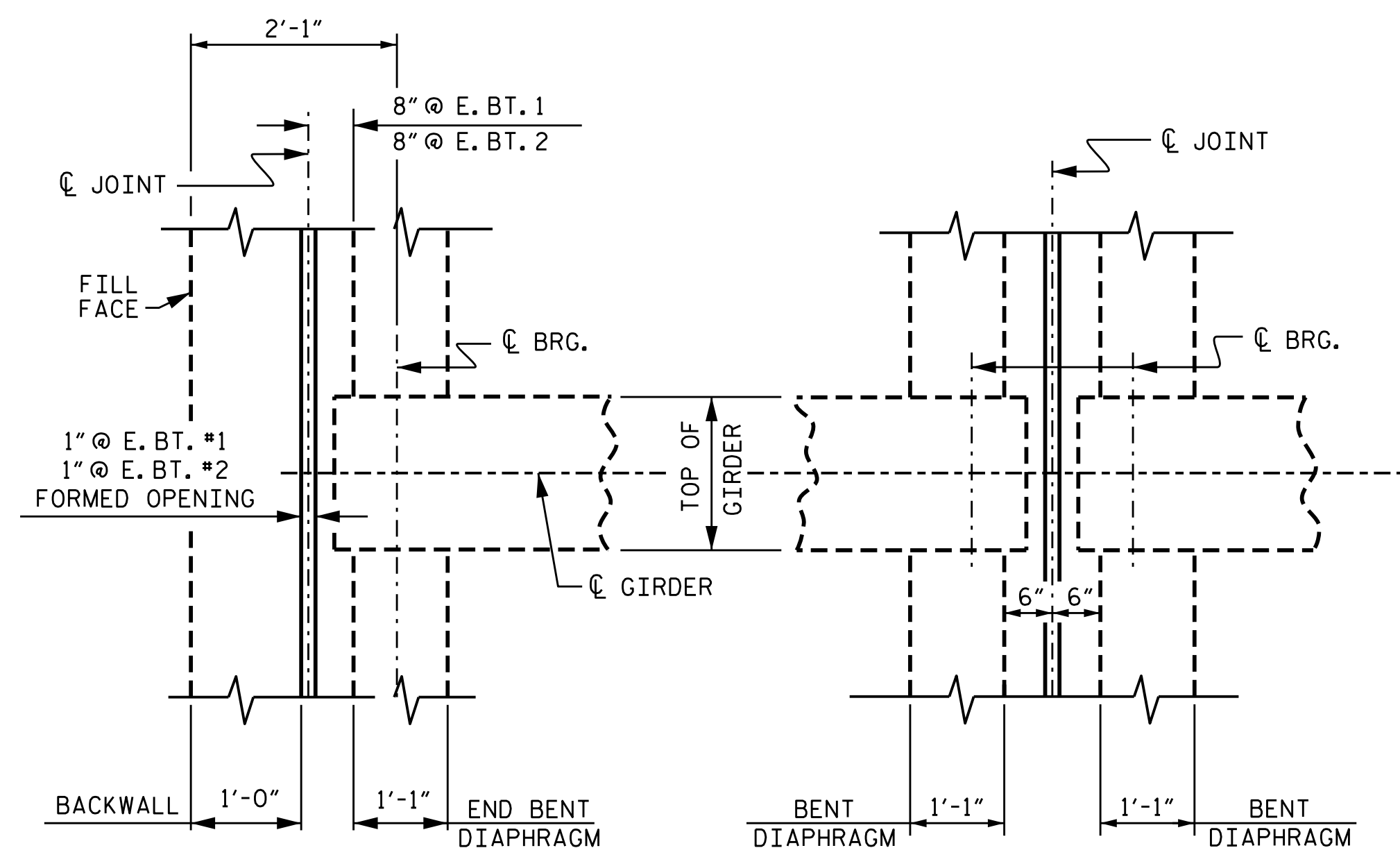
SECTION THRU BENT DIAPHRAGMS

BENTS 12, 15, 20, 23, & 26



SECTION THRU BENT DIAPHRAGMS

BENTS 3 & 6 SHOWN.
BENTS 9 & 17 SAME BY ROTATION



END BENT DIAPHRAGM

BENT DIAPHRAGM

BENT 3, 6, 9, 12, 15, 17,
20, 23, & 26

PLAN

PROJECT NO. B-4863
CARTERET COUNTY
STATION: 34+75.00 -L-

SHEET 10 OF 11

STATE OF NORTH CAROLINA
DEPARTMENT OF TRANSPORTATION
RALEIGH
SUPERSTRUCTURE
TYPICAL SECTION



DocuSigned by:
Ahmad Ighwair
48948044C555489
3/9/2020

DRAWN BY : B. N. BARODAWALA DATE : 3-19
CHECKED BY : M. A. ALLEN DATE : 8-19
DESIGN ENGINEER OF RECORD: A. A. IGHWAIR DATE : 11-19

DOCUMENT NOT CONSIDERED
FINAL UNLESS ALL
SIGNATURES COMPLETED

REVISIONS						SHEET NO.
NO.	BY:	DATE:	NO.	BY:	DATE:	S1-038
1			3			TOTAL SHEETS
2			4			194