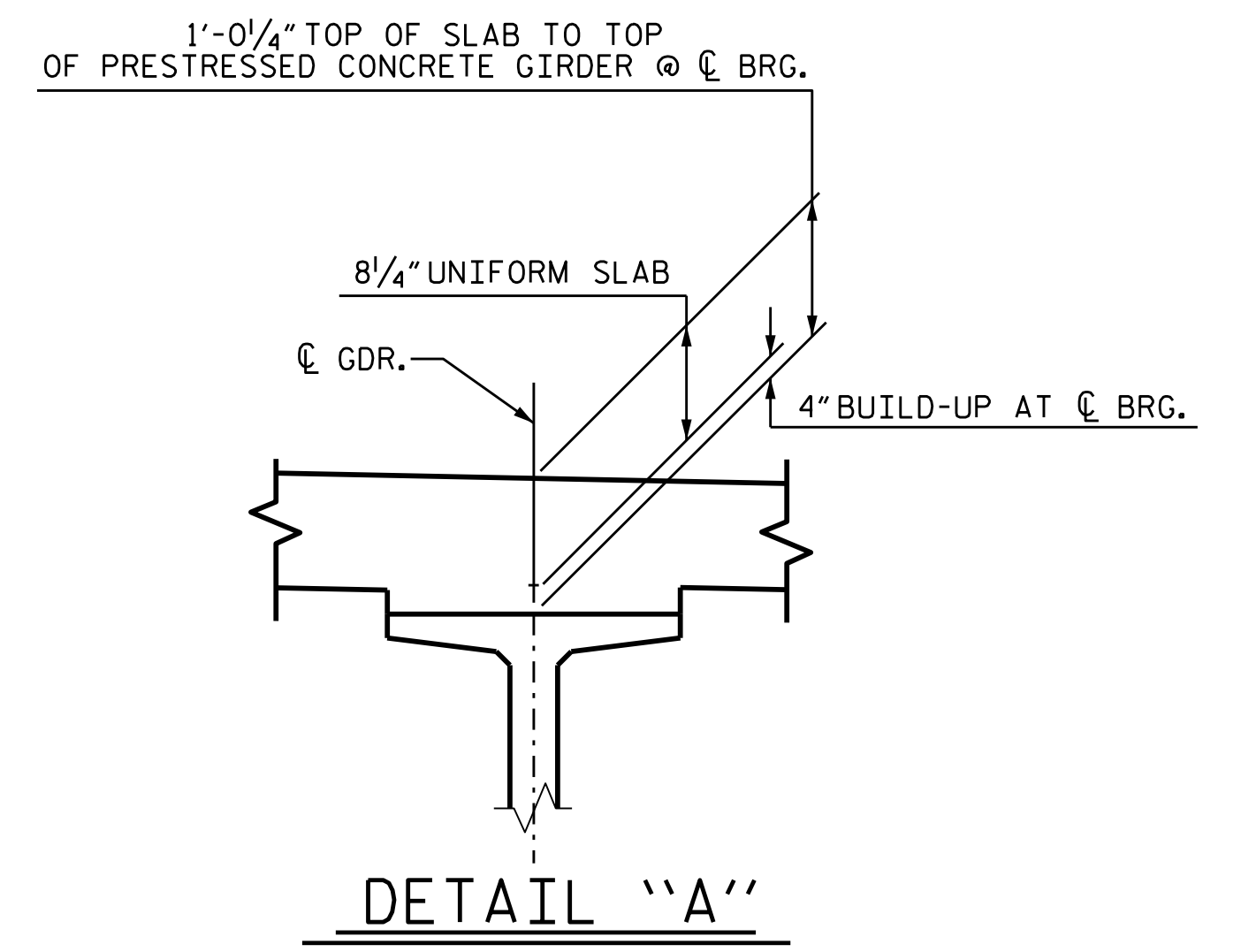
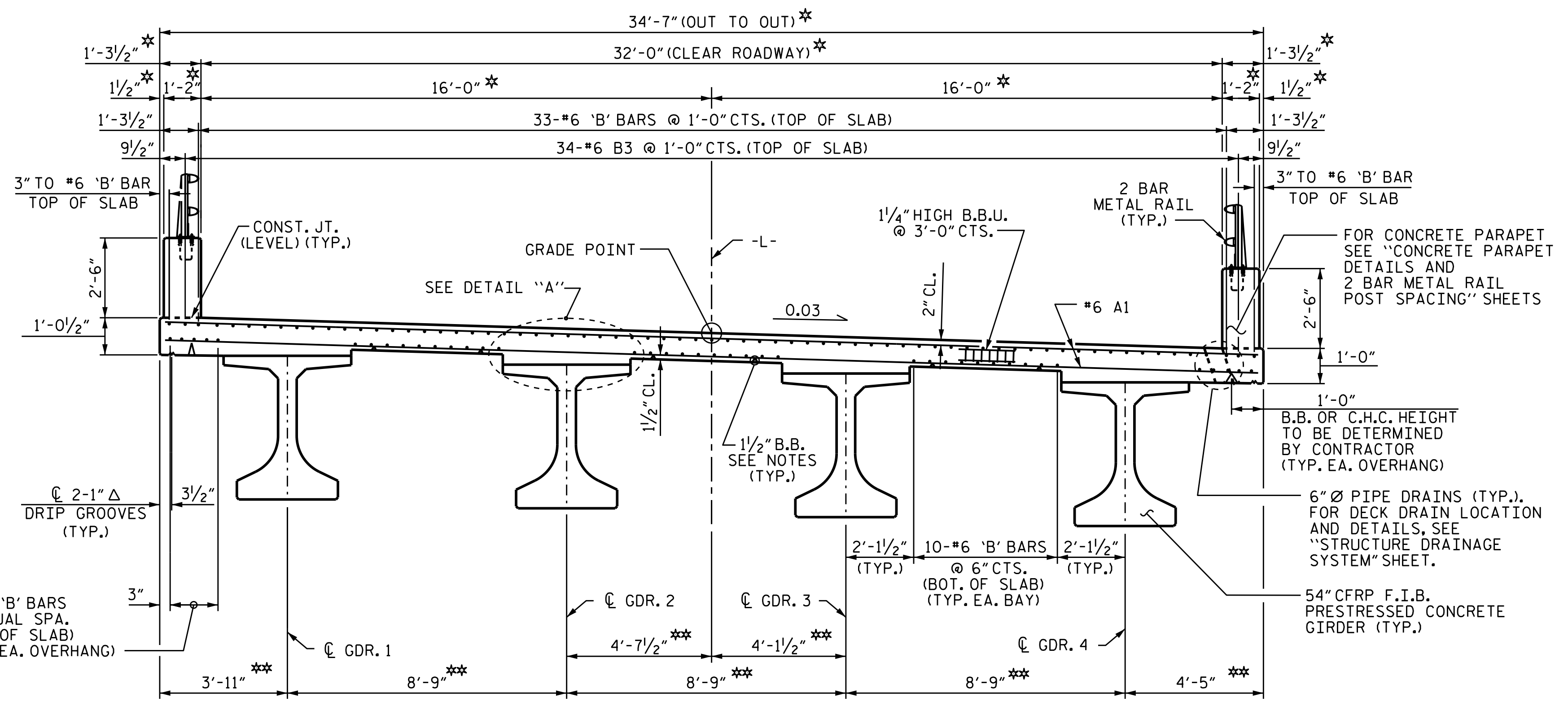


TYPICAL SECTION
(AT BENT 26FR. & END BENT 2)



DETAIL "A"

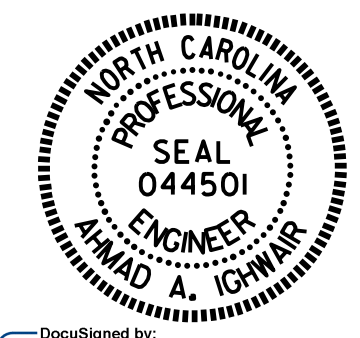
* RADIAL DIMENSIONS.
** DIMENSIONS SHOWN RADIAL ALONG BENT CONTROL LINE



TYPICAL SECTION
AT BENT LINK SLAB

PROJECT NO. B-4863
CARTERET COUNTY
STATION: 34+75.00 -L-

SHEET 9 OF 11



DocuSigned by:
Ahmad Ighwair
4894B044C555489
3/9/2020

STATE OF NORTH CAROLINA
DEPARTMENT OF TRANSPORTATION
RALEIGH
SUPERSTRUCTURE
TYPICAL SECTION
(SPAN AA & BB)

DRAWN BY : B. N. BARODAWALA DATE : 3-19
CHECKED BY : M. A. ALLEN DATE : 8-19
DESIGN ENGINEER OF RECORD: A. A. IGHWAIR DATE : 11-19

DOCUMENT NOT CONSIDERED
FINAL UNLESS ALL
SIGNATURES COMPLETED

REVISIONS						SHEET NO.
NO.	BY:	DATE:	NO.	BY:	DATE:	S1-037
1			3			TOTAL SHEETS
2			4			194