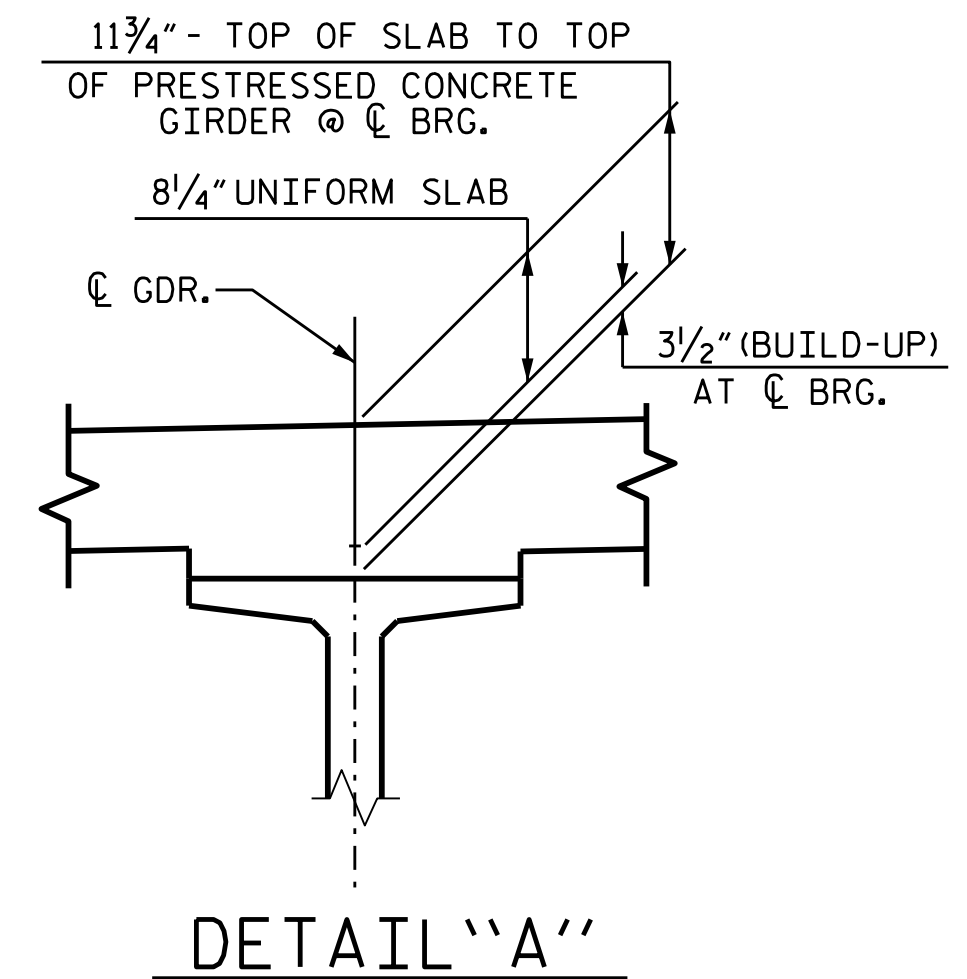
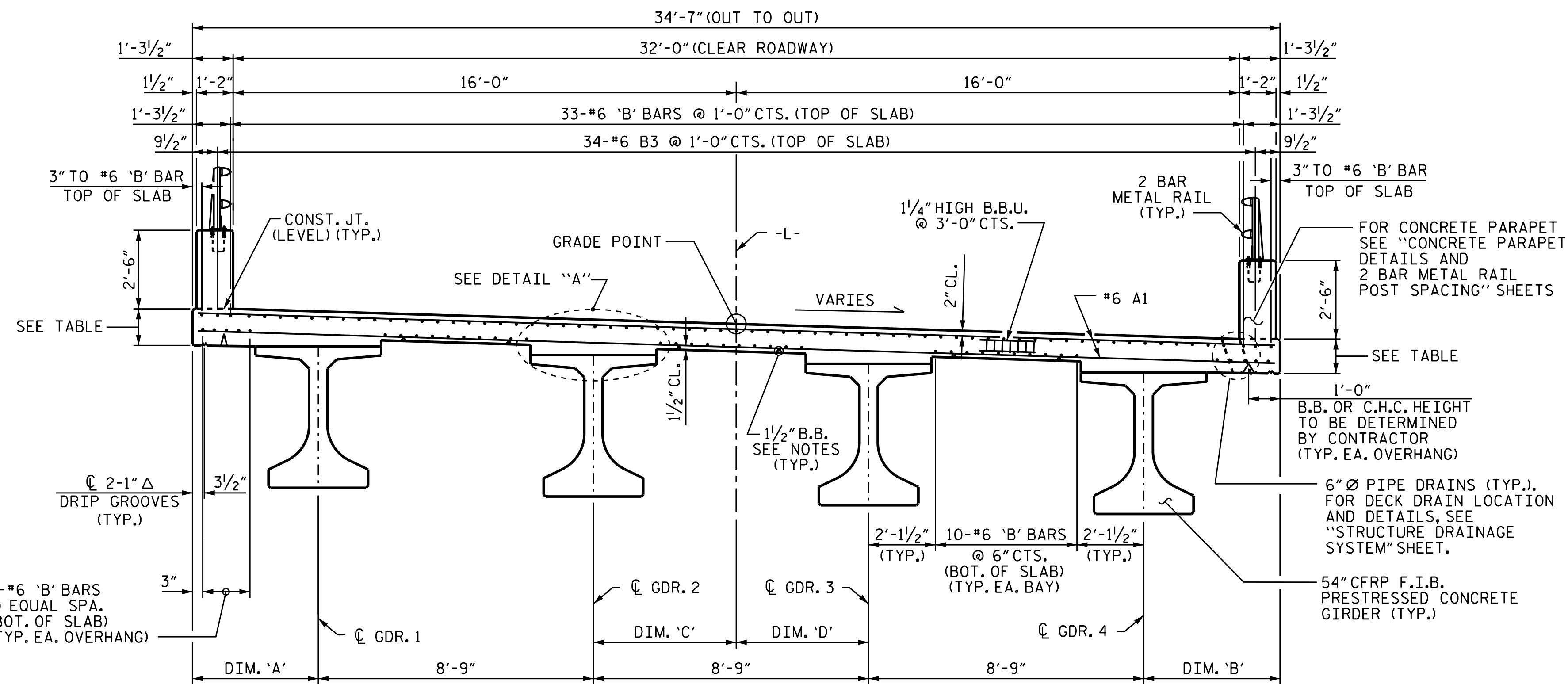


TYPICAL SECTION
AT BENT 23FR. & 26NR



DETAIL "A"

* RADIAL DIMENSIONS.
** DIMENSIONS SHOWN RADIAL ALONG BENT CONTROL LINE

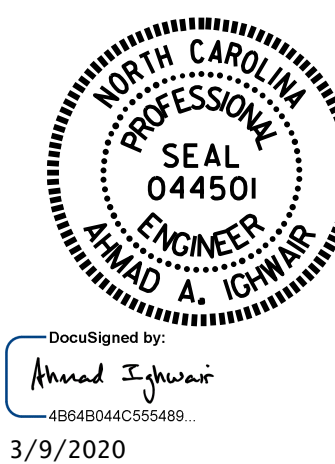


TYPICAL SECTION
AT BENT LINK SLAB

BENT	LEFT OVERHANG DEPTH	RIGHT OVERHANG DEPTH	DIM. 'A'	DIM. 'B'	DIM. 'C'	DIM. 'D'
24 NR.	11 3/4"	11 3/4"	4'-3 1/2"	4'-0 1/2"	4'-3"	4'-6"
24 FAR.	11 3/4"	11 3/4"	4'-2"	4'-2"	4'-4 1/2"	4'-4 1/2"
25 NR.	1'-0"	11 1/2"	4'-2"	4'-2"	4'-4 1/2"	4'-4 1/2"
25 FAR.	1'-0"	11 1/2"	3'-11"	4'-5"	4'-7 1/2"	4'-1 1/2"

DRAWN BY : B. N. BARODAWALA DATE : 3-19
 CHECKED BY : M. A. ALLEN DATE : 8-19
 DESIGN ENGINEER OF RECORD : A. A. IGHWAIR DATE : 11-19

06-MAR-2020 12:33
 S:\DEV\Squad.D\B4863\Plans\FINAL PLANS\B-4863.SMU.TS.dgn
 bbarodawala



DocuSigned by:
 Ahmad Ighwaier
 48948044C555489
 3/9/2020

PROJECT NO. B-4863
 CARTERET COUNTY
 STATION: 34+75.00 -L-
 SHEET 8 OF 11

STATE OF NORTH CAROLINA
 DEPARTMENT OF TRANSPORTATION
 RALEIGH

SUPERSTRUCTURE
 TYPICAL SECTION
 (SPAN X, Y & Z)

DOCUMENT NOT CONSIDERED
 FINAL UNLESS ALL
 SIGNATURES COMPLETED

REVISIONS						SHEET NO.
NO.	BY:	DATE:	NO.	BY:	DATE:	S1-036
1			3			TOTAL SHEETS 194
2			4			