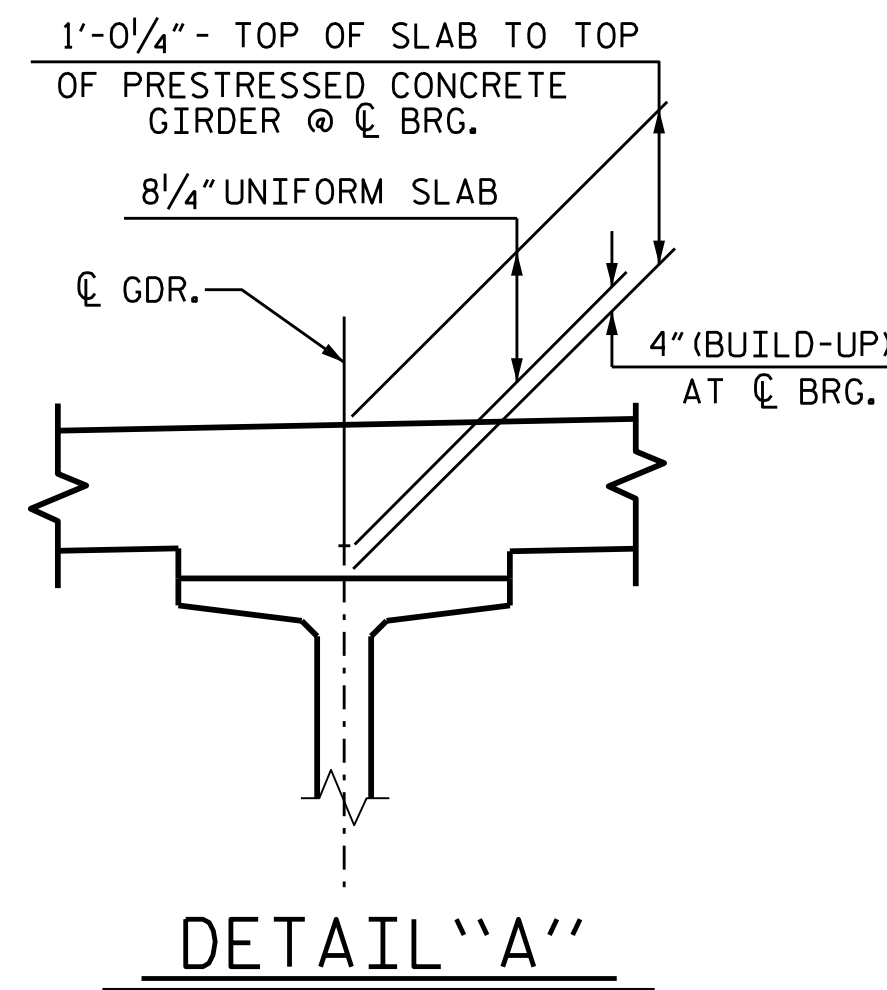
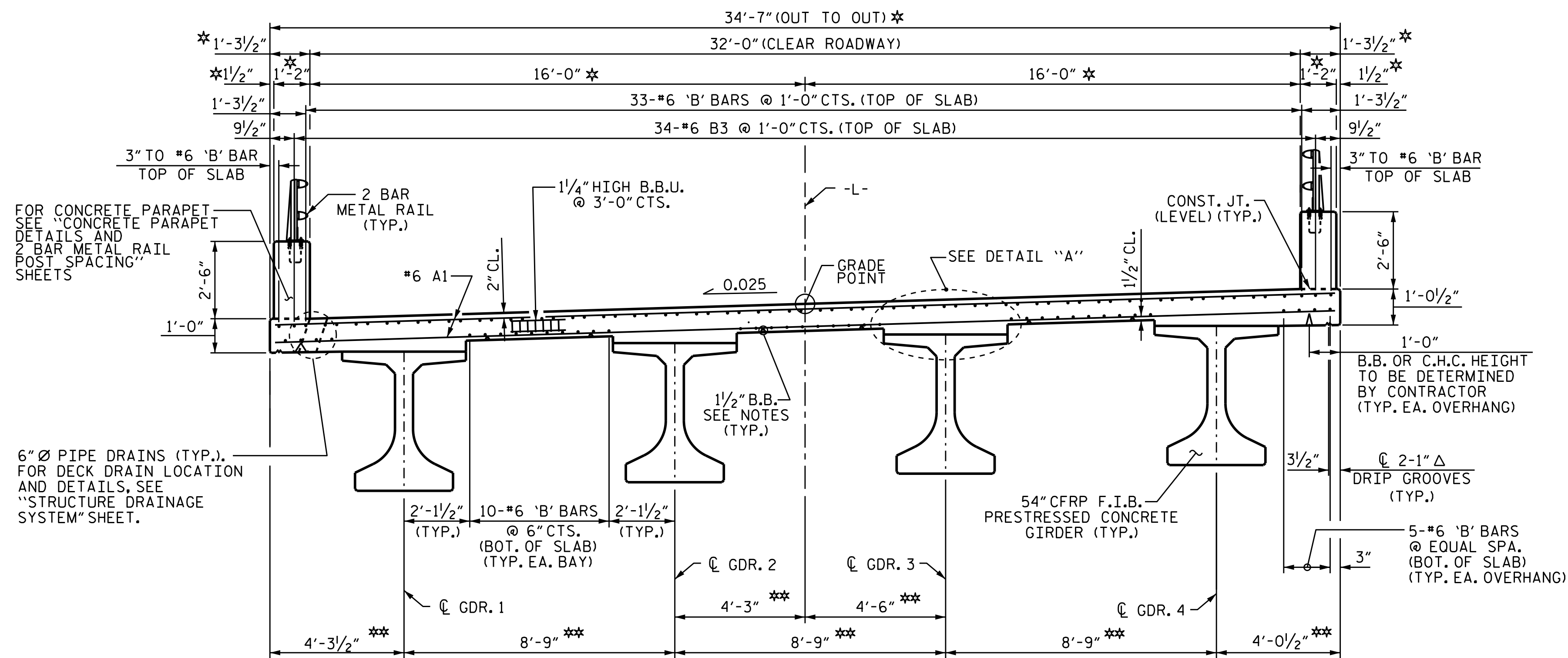


TYPICAL SECTION

AT BENT 17FR & 20NR.



* RADIAL DIMENSIONS.
 ** DIMENSIONS SHOWN RADIAL ALONG BENT CONTROL LINE



TYPICAL SECTION

AT BENT LINK SLAB

PROJECT NO. B-4863
CARTERET COUNTY
 STATION: 34+75.00 -L-

SHEET 7 OF 11

STATE OF NORTH CAROLINA
 DEPARTMENT OF TRANSPORTATION
 RALEIGH

SUPERSTRUCTURE
 TYPICAL SECTION
 (SPAN R, S & T)
 (SPAN U, V & W)



DocuSigned by:
 Ahmad Ighwair
 4894B044C555489
 3/9/2020

DRAWN BY : B. N. BARODAWALA DATE : 3-19
 CHECKED BY : M. A. ALLEN DATE : 8-19
 DESIGN ENGINEER OF RECORD: A. A. IGHWAIR DATE : 11-19

DOCUMENT NOT CONSIDERED
 FINAL UNLESS ALL
 SIGNATURES COMPLETED

REVISIONS						SHEET NO.
NO.	BY:	DATE:	NO.	BY:	DATE:	S1-035
1			3			TOTAL SHEETS
2			4			194