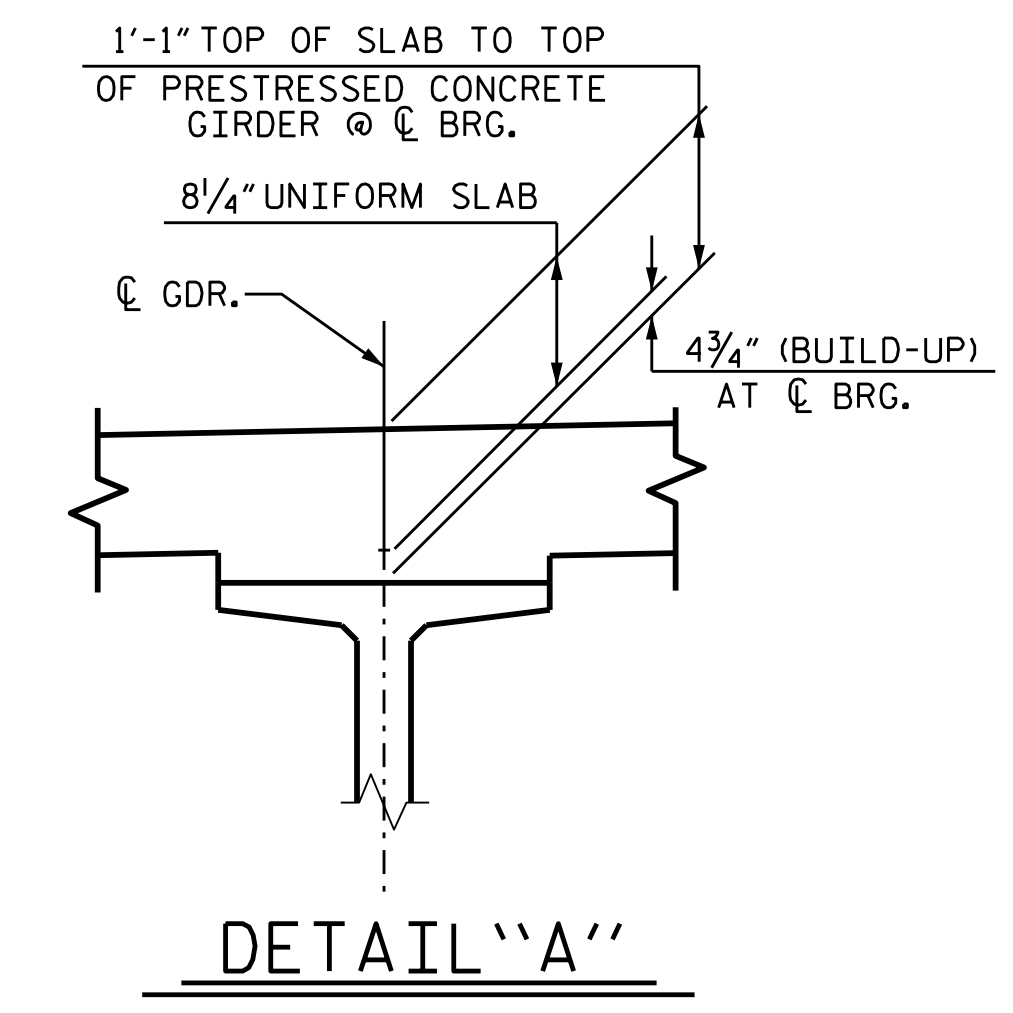
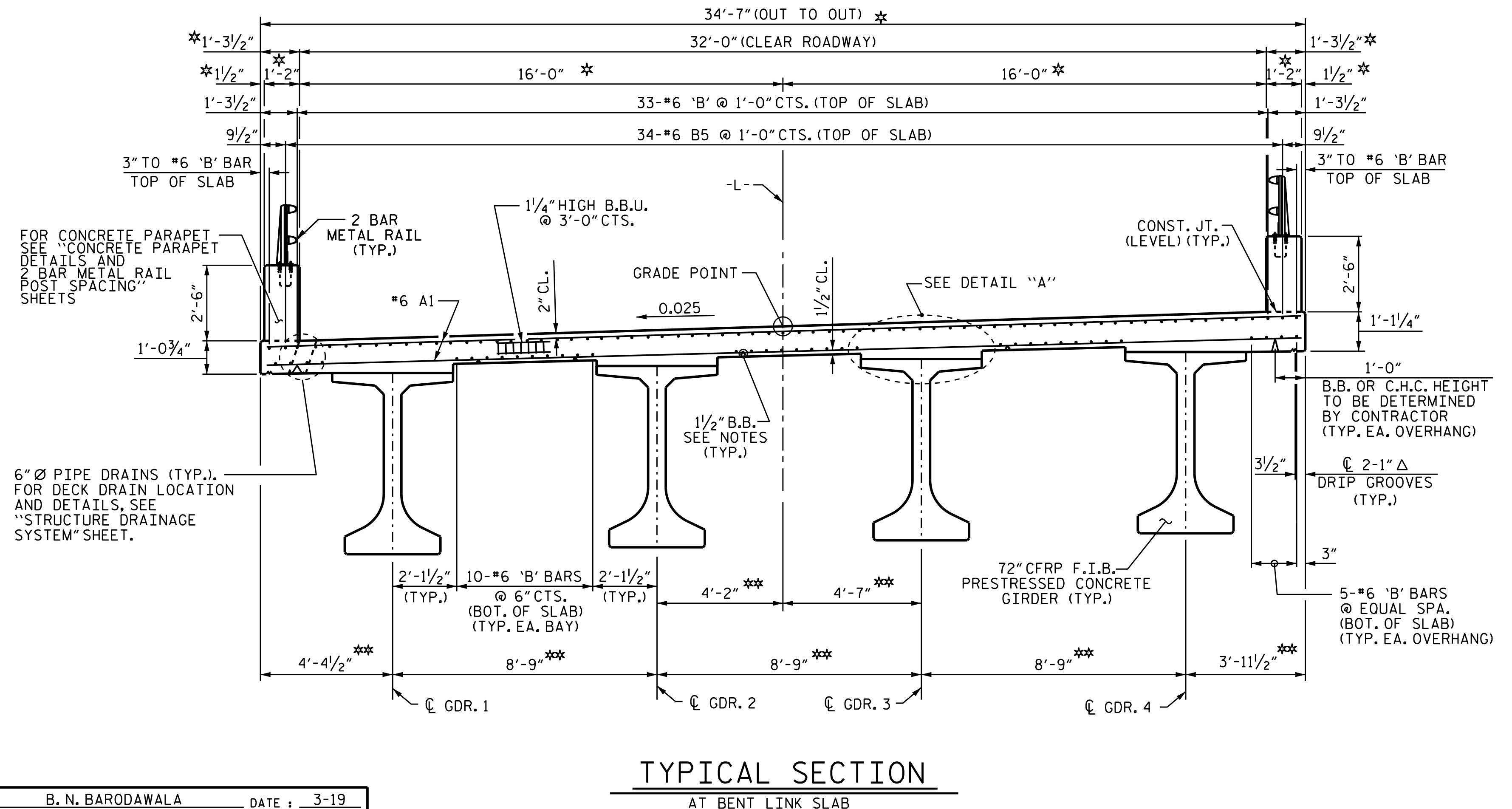


TYPICAL SECTION  
AT BENT 15FR. & 17NR.

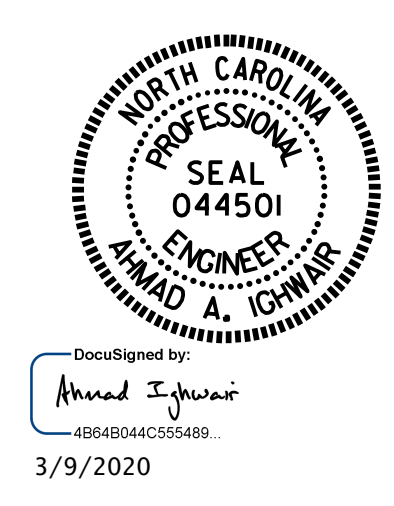


\* RADIAL DIMENSIONS.  
\*\* DIMENSIONS SHOWN RADIAL ALONG BENT CONTROL LINE



TYPICAL SECTION  
AT BENT LINK SLAB

PROJECT NO. B-4863  
CARTERET COUNTY  
 STATION: 34+75.00 -L-  
 SHEET 6 OF 11



STATE OF NORTH CAROLINA  
 DEPARTMENT OF TRANSPORTATION  
 RALEIGH  
 SUPERSTRUCTURE  
 TYPICAL SECTION  
 (SPAN P & Q)

DRAWN BY : B. N. BARODAWALA DATE : 3-19  
 CHECKED BY : M. A. ALLEN DATE : 8-19  
 DESIGN ENGINEER OF RECORD: A. A. IGHWAIR DATE : 11-19

DOCUMENT NOT CONSIDERED FINAL UNLESS ALL SIGNATURES COMPLETED

REVISIONS						SHEET NO.	
NO.	BY:	DATE:	NO.	BY:	DATE:	S1-034	
1			3			TOTAL SHEETS	
2			4			194	