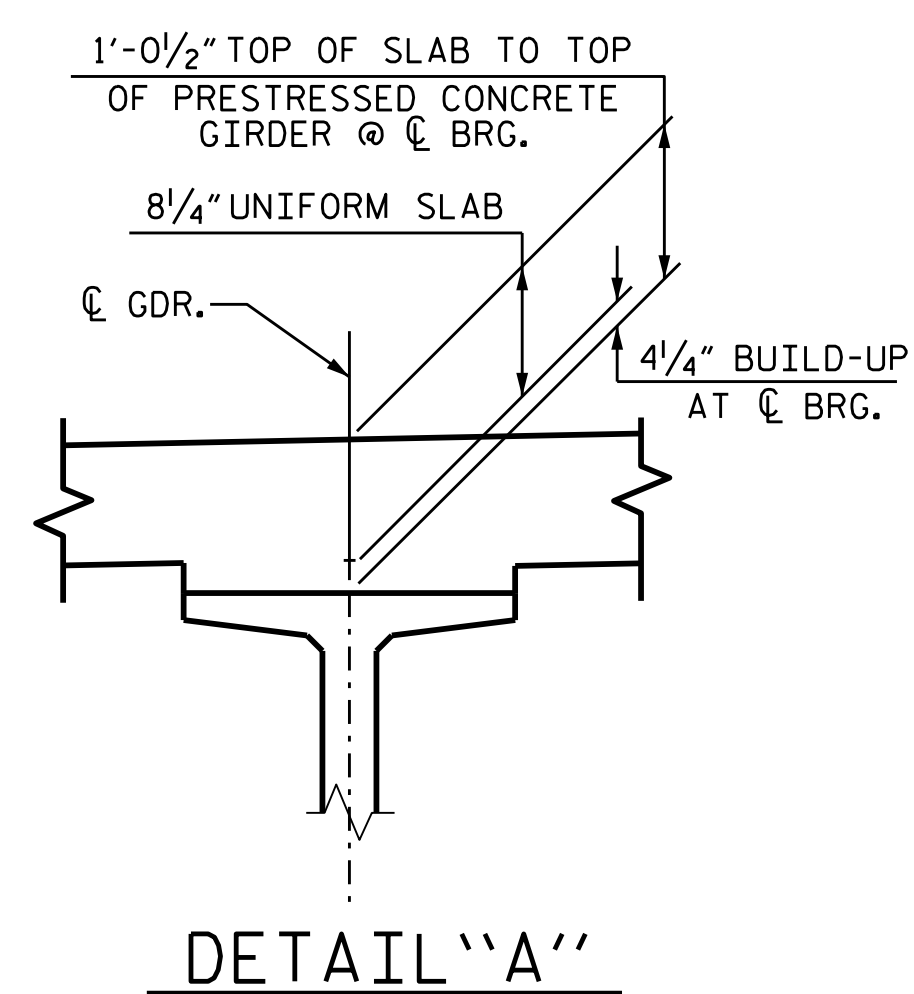
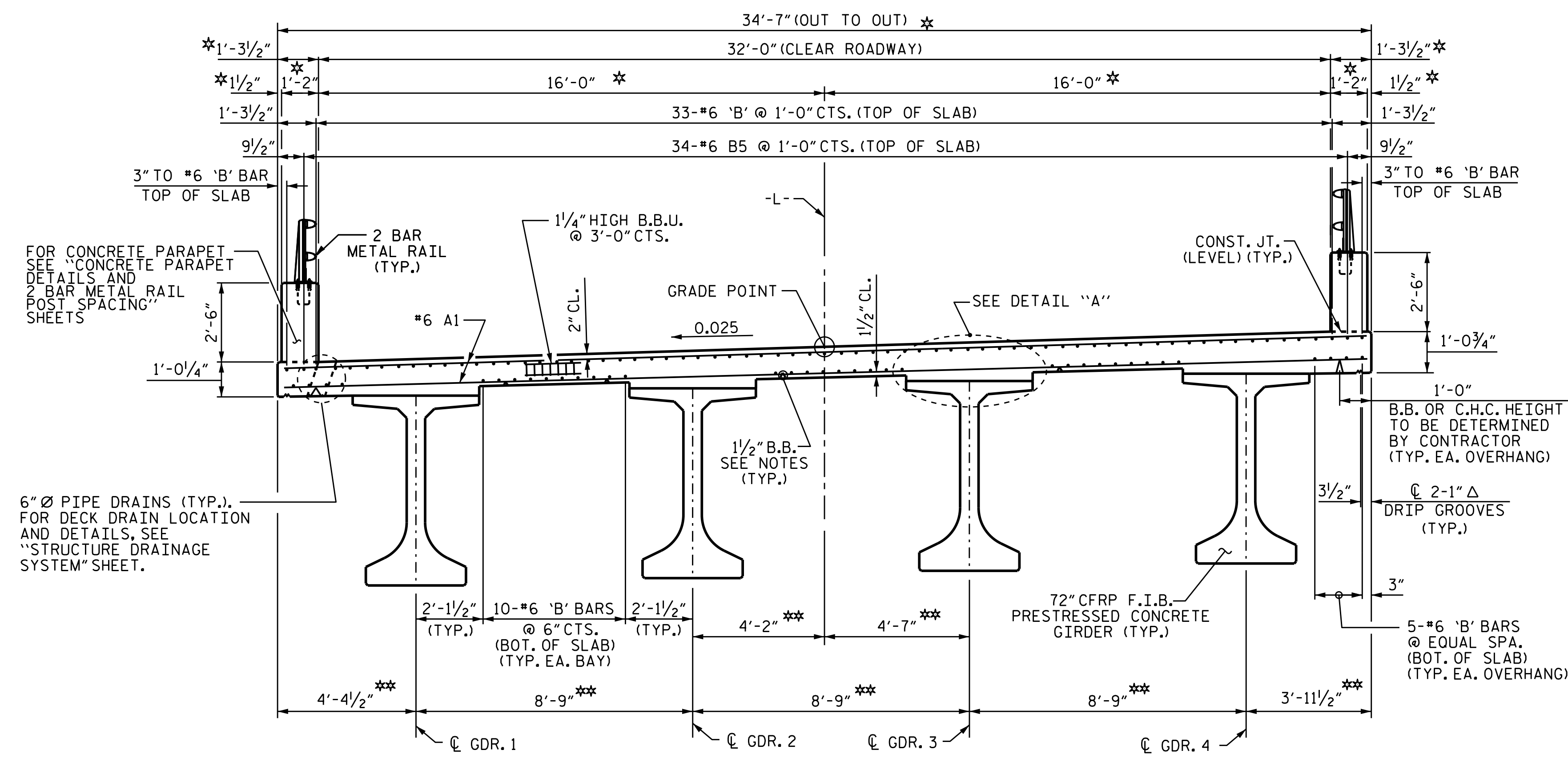


TYPICAL SECTION
AT BENT 9FR. & 12NR. DIAPHRAGMS



DETAIL "A"

* RADIAL DIMENSIONS.
** DIMENSIONS SHOWN ARE RADIAL ALONG BENT CONTROL LINE

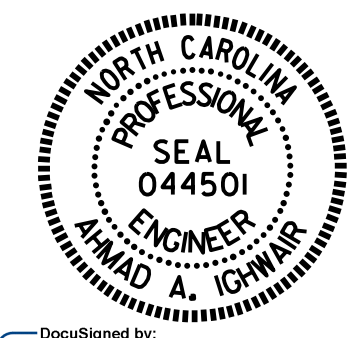


TYPICAL SECTION
AT BENT LINK SLAB

PROJECT NO. B-4863
CARTERET COUNTY
STATION: 34+75.00 -L-

SHEET 4 OF 11

STATE OF NORTH CAROLINA
DEPARTMENT OF TRANSPORTATION
RALEIGH
SUPERSTRUCTURE
TYPICAL SECTION
(SPANS J, K & L)



DocuSigned by:
Ahmad Ighwair
48948044C555489
3/9/2020

DRAWN BY : B. N. BARODAWALA DATE : 3-19
CHECKED BY : M. A. ALLEN DATE : 8-19
DESIGN ENGINEER OF RECORD: A. A. IGHWAIR DATE : 11-19

DOCUMENT NOT CONSIDERED
FINAL UNLESS ALL
SIGNATURES COMPLETED

REVISIONS						SHEET NO.
NO.	BY:	DATE:	NO.	BY:	DATE:	S1-032
1			3			TOTAL SHEETS
2			4			194