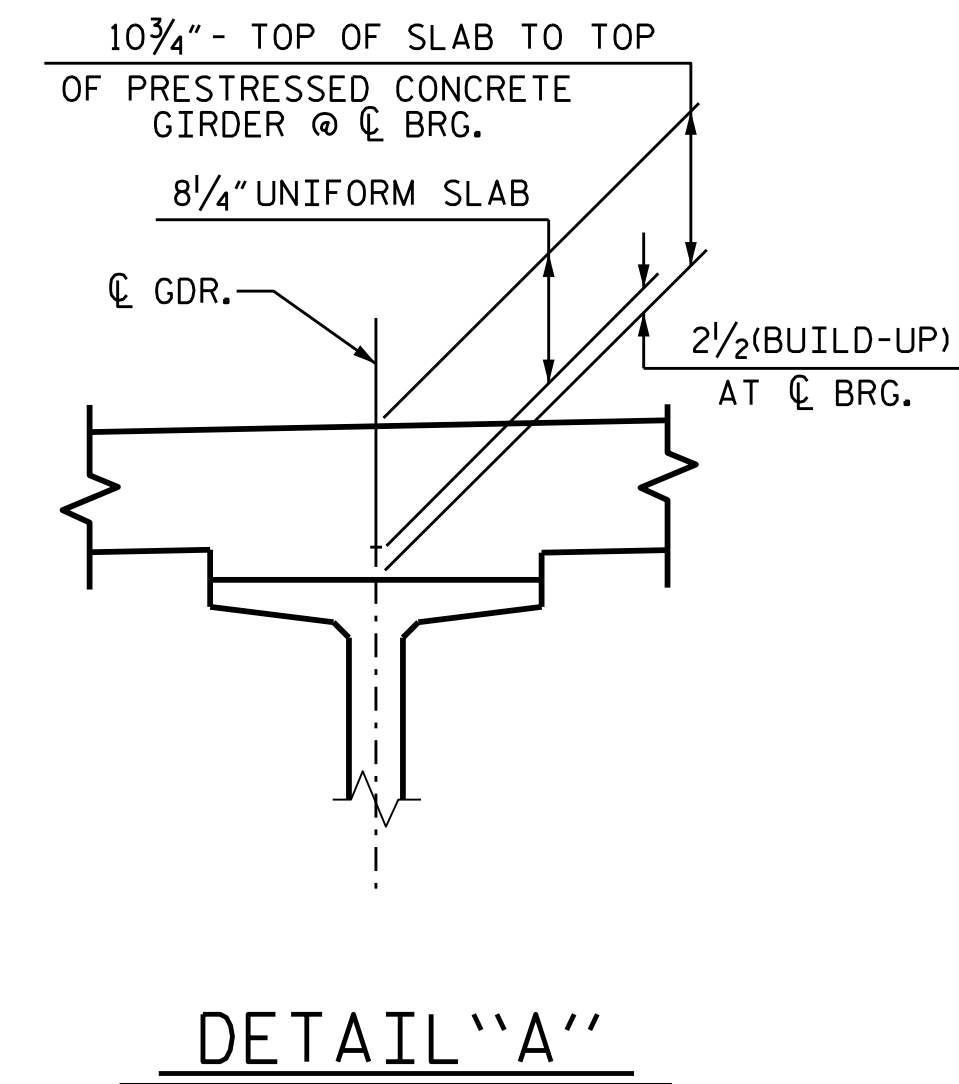
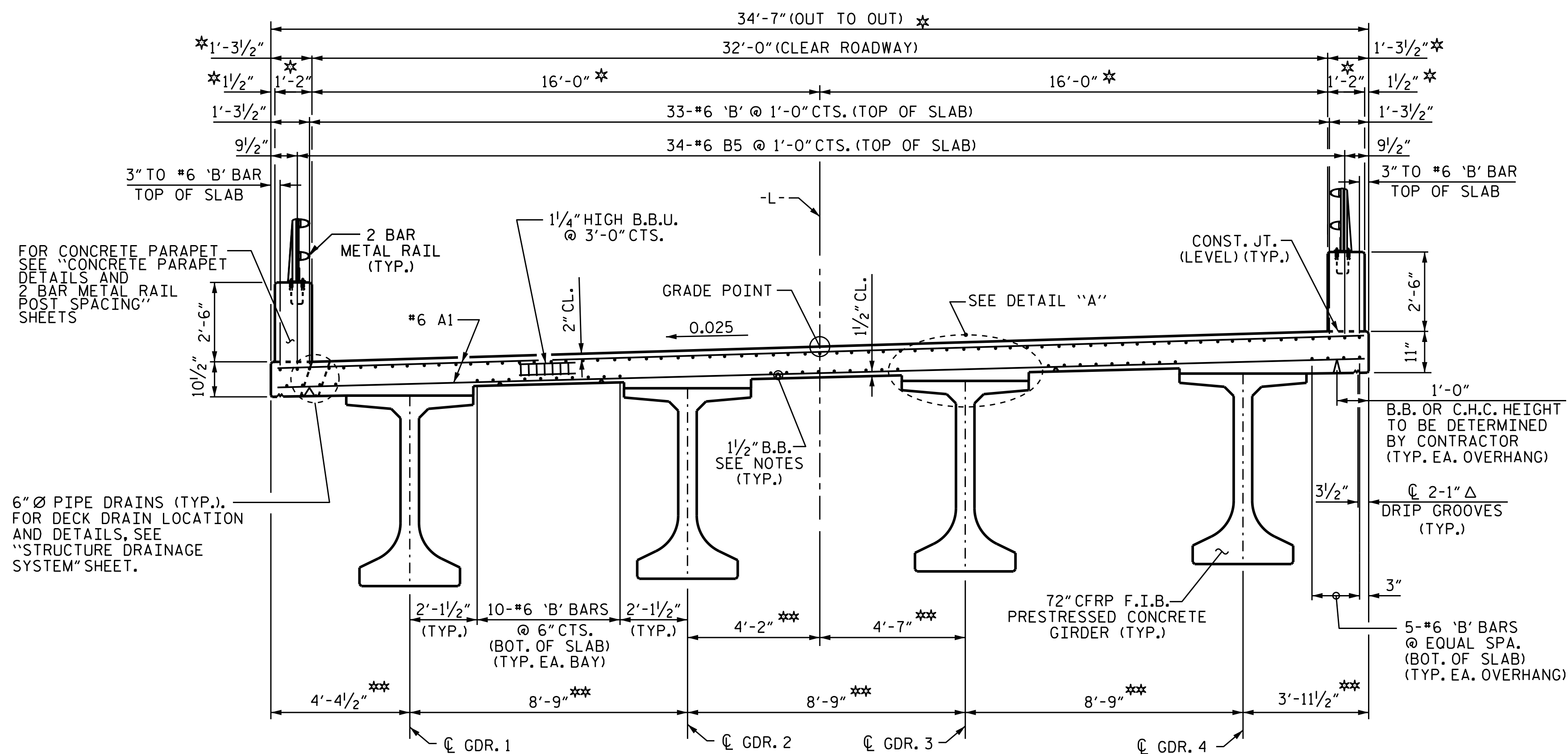


TYPICAL SECTION
AT BENT 3FR. & 6NR. DIAPHRAGMS

* RADIAL DIMENSIONS.
** DIMENSIONS SHOWN RADIAL ALONG BENT CONTROL LINE



DETAIL "A"

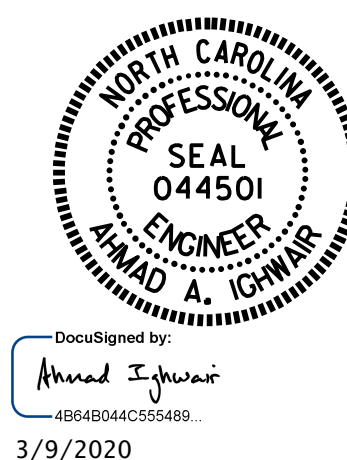


TYPICAL SECTION
AT BENT LINK SLAB

PROJECT NO. B-4863
CARTERET COUNTY
 STATION: 34+75.00 -L-
 SHEET 2 OF 11

STATE OF NORTH CAROLINA
 DEPARTMENT OF TRANSPORTATION
 RALEIGH

SUPERSTRUCTURE
 TYPICAL SECTION
 (SPAN D, E & F)



DocuSigned by:
 Ahmad Engineer
 48948044C555489
 3/9/2020

DRAWN BY: B. N. BARODAWALA DATE: 3-19
 CHECKED BY: M. A. ALLEN DATE: 8-19
 DESIGN ENGINEER OF RECORD: A. A. IGHWAIR DATE: 11-19

DOCUMENT NOT CONSIDERED
 FINAL UNLESS ALL
 SIGNATURES COMPLETED

REVISIONS						SHEET NO.
NO.	BY:	DATE:	NO.	BY:	DATE:	S1-030
1			3			TOTAL SHEETS 194
2			4			