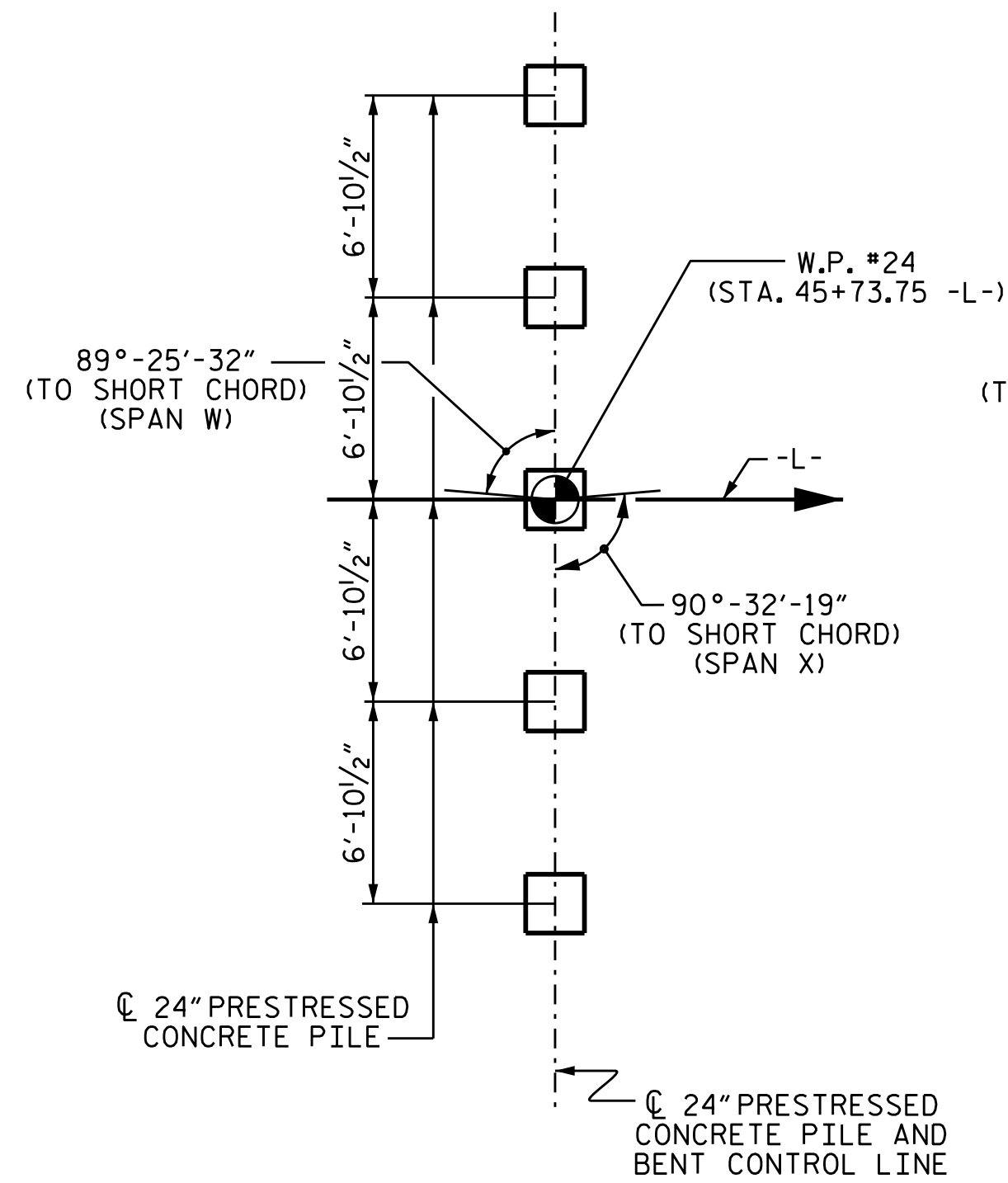
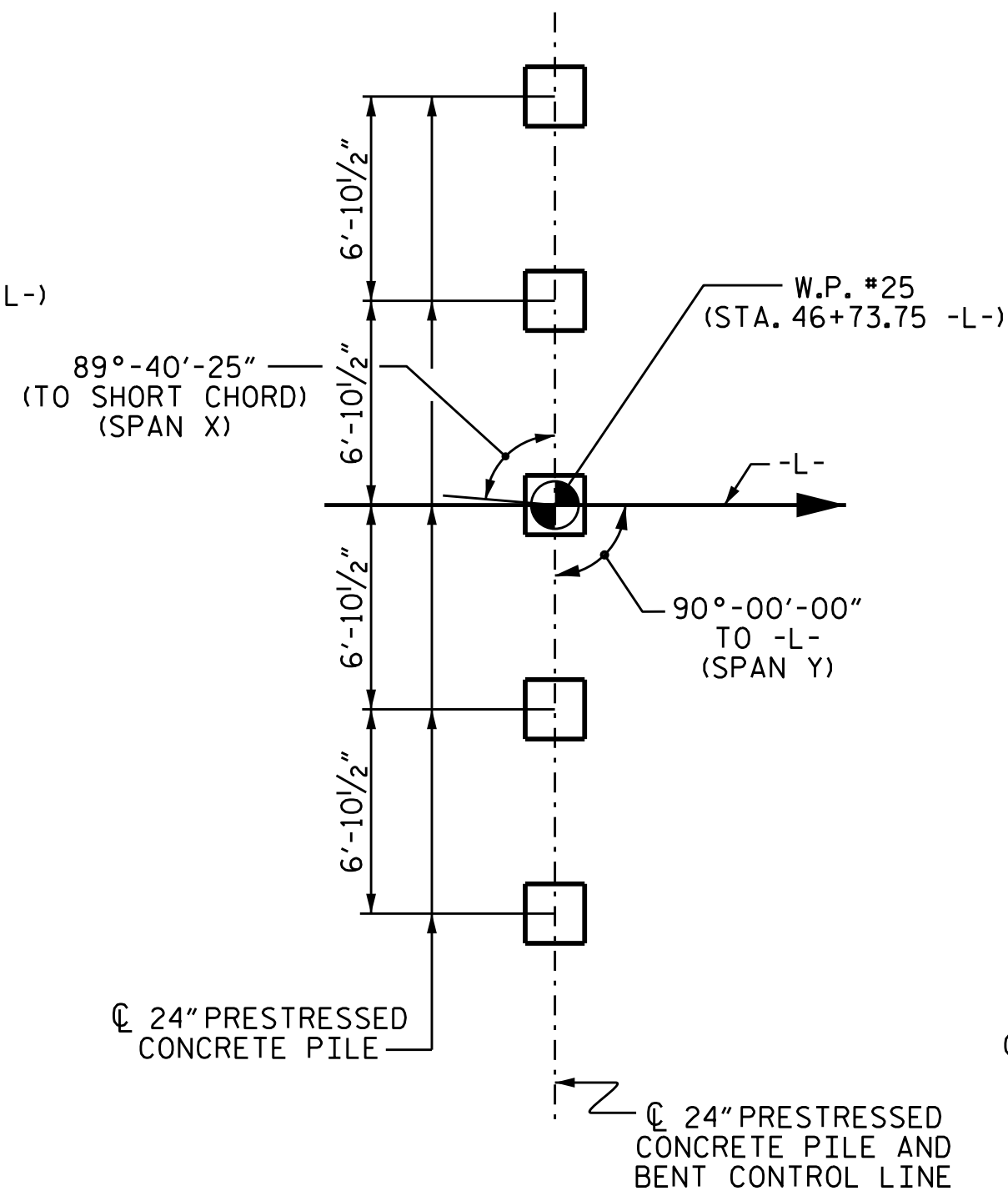


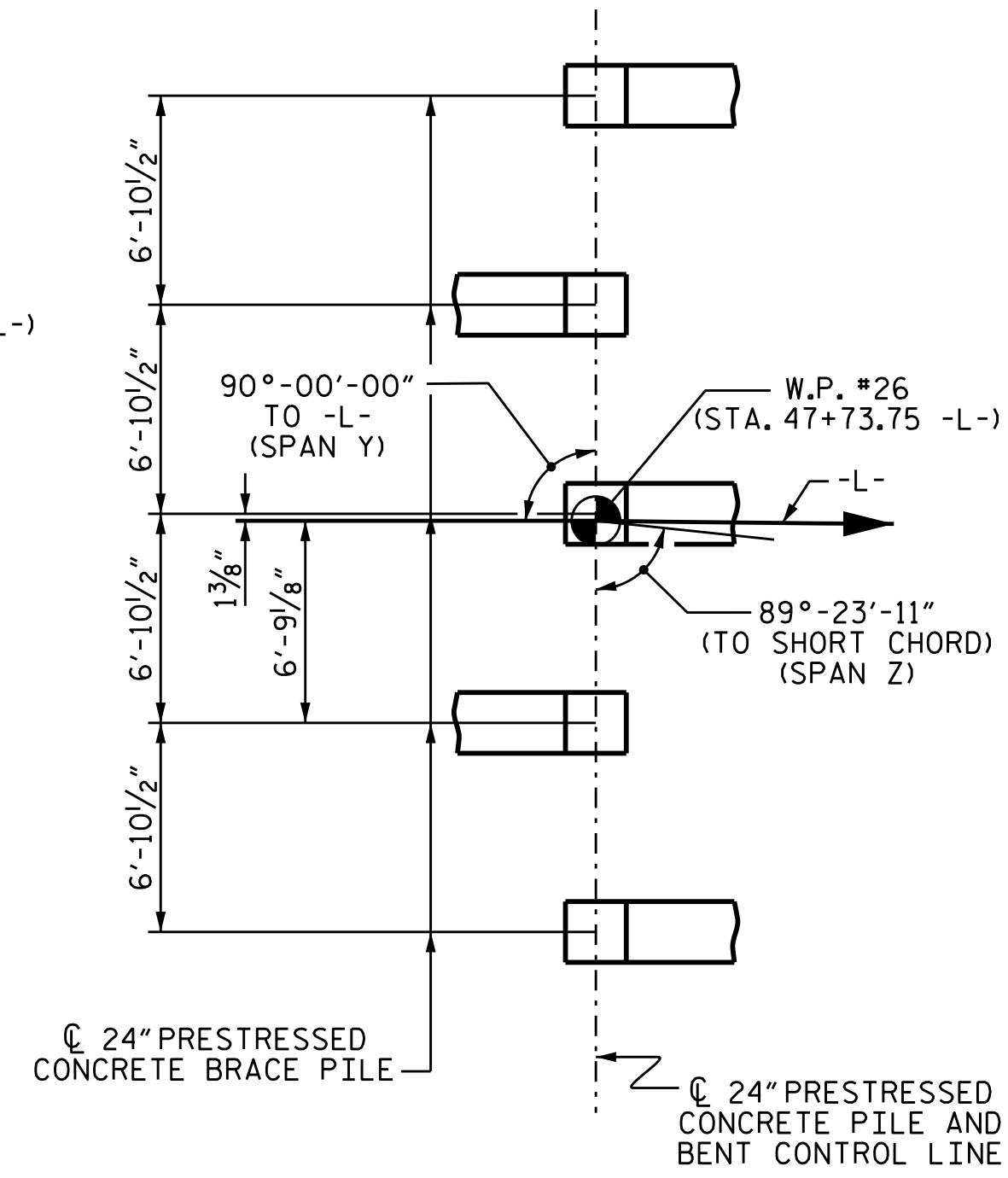
BENT 22



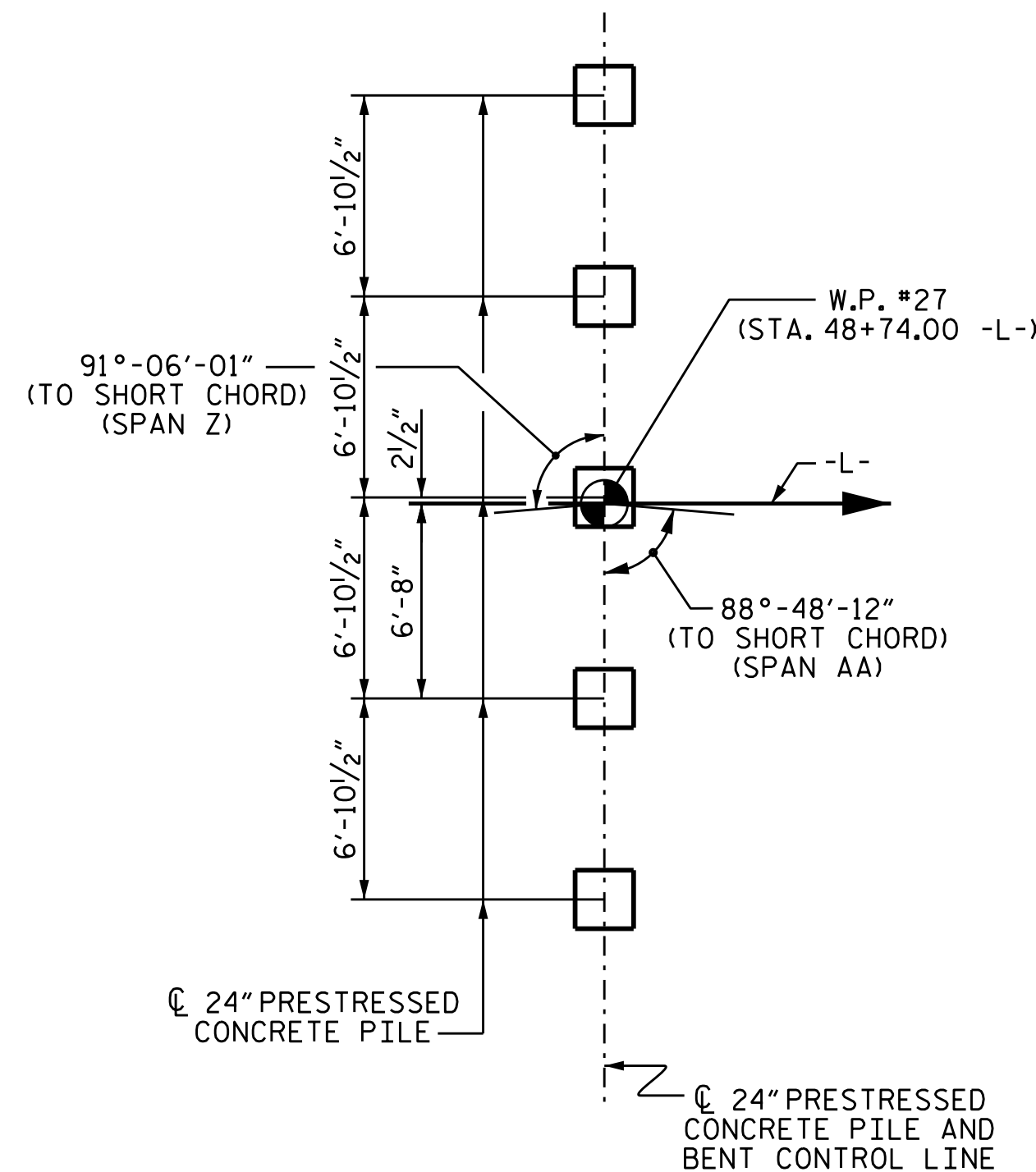
BENT 23



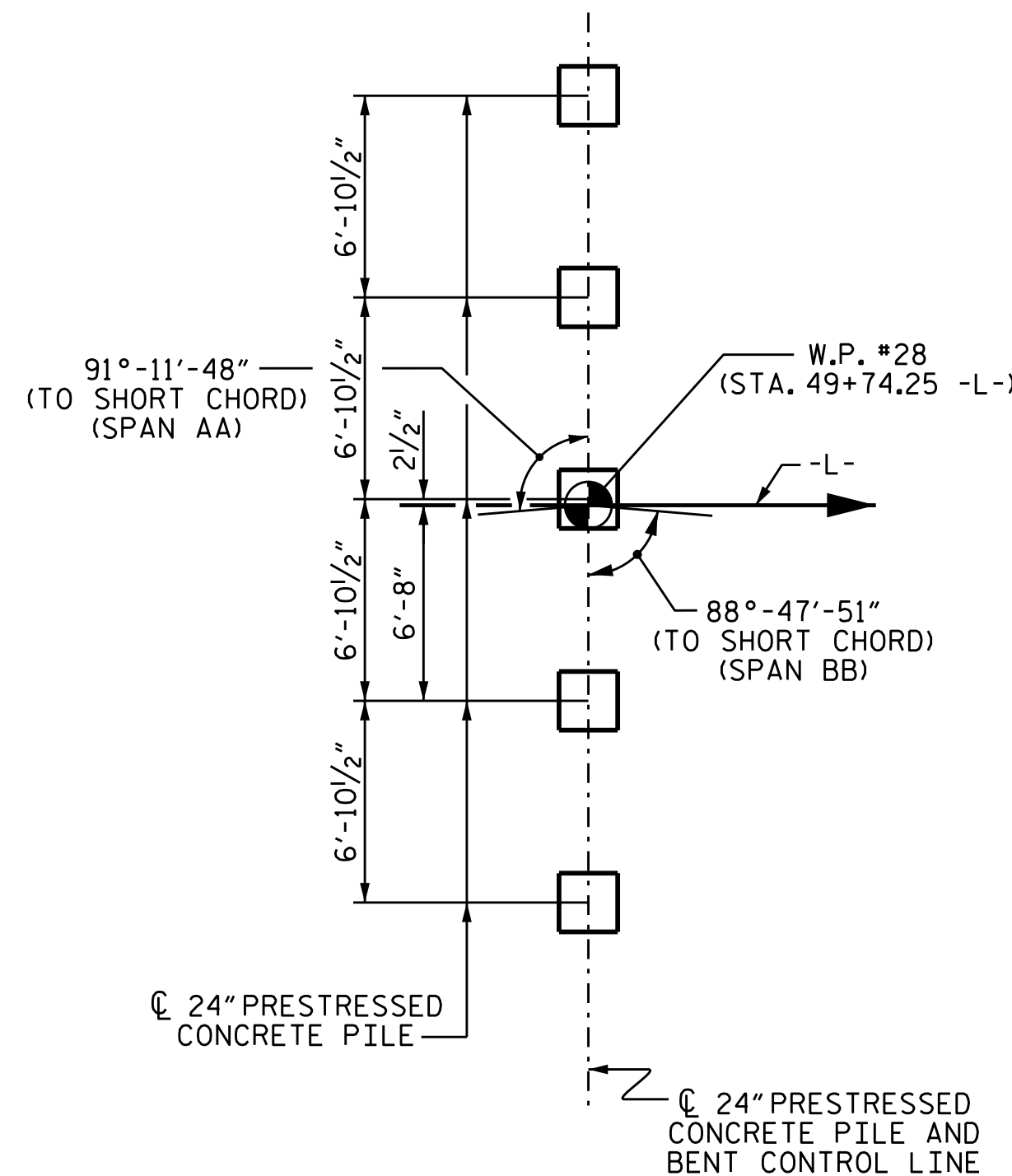
BENT 24



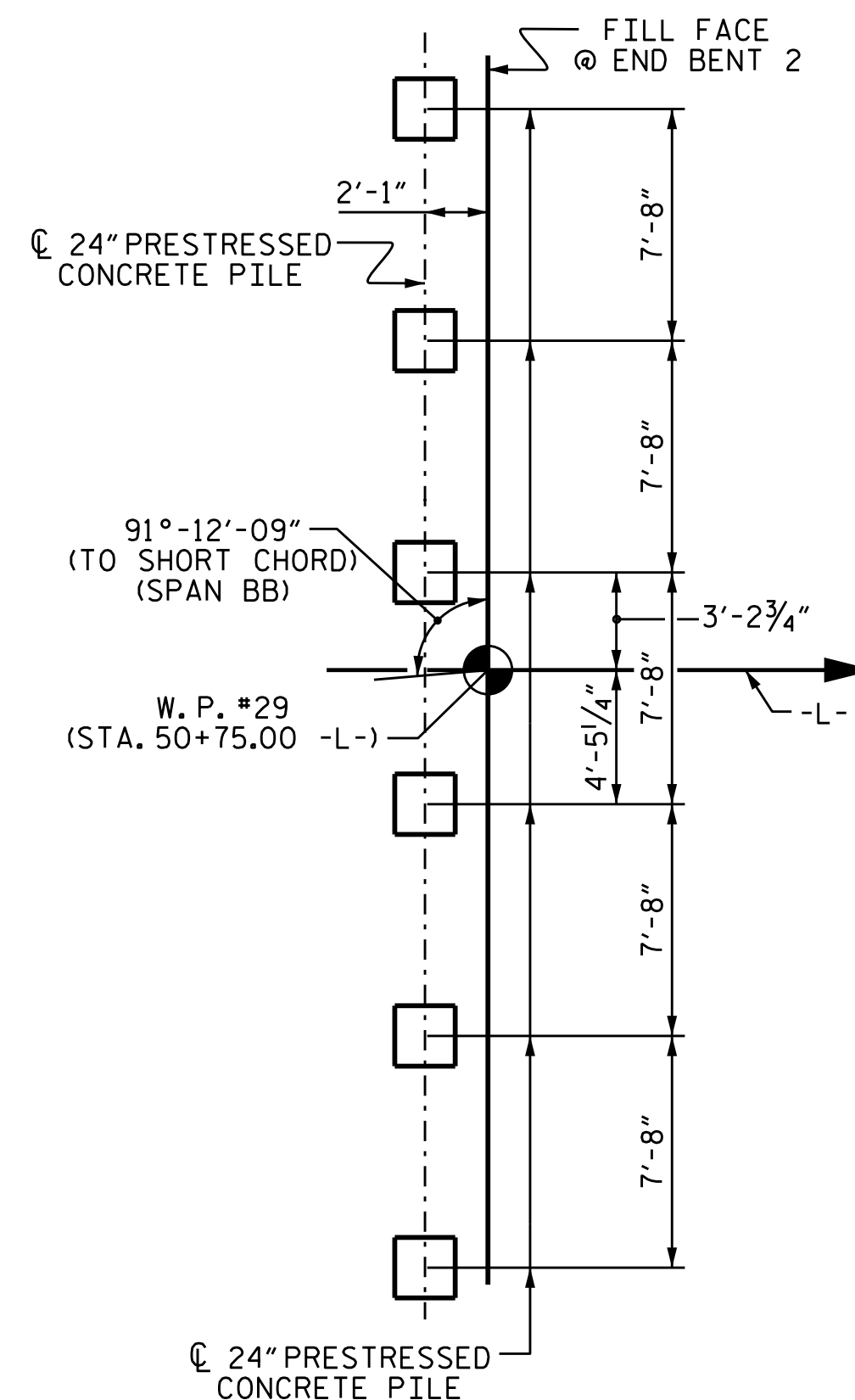
BENT 25



BENT 26



BENT 27



END BENT 2

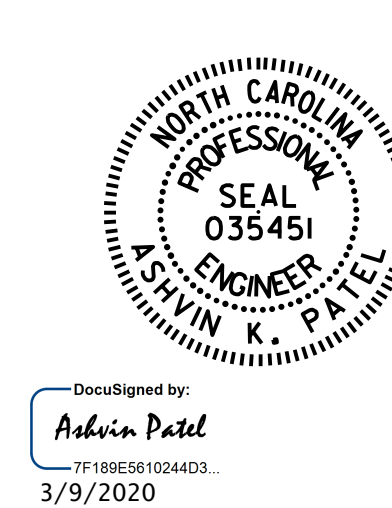
FOUNDATION LAYOUT

DIMENSIONS LOCATING PILES ARE SHOWN TO PILE CENTERLINE AT BOTTOM OF CAP OR FOOTING.

BRACE PILES @ INTERIOR BENTS ARE TO BE BATTERED @ 1/2" / FT.

PROJECT NO. B-4863
 CARTERET COUNTY
 STATION: 34+75.00 -L-

SHEET 10 OF 16



STATE OF NORTH CAROLINA
 DEPARTMENT OF TRANSPORTATION
 RALEIGH
GENERAL DRAWING
 FOUNDATION LAYOUT
 FOR BRIDGE OVER
 'THE STRAITS'
 ON SR 1335 BETWEEN
 US 70 AND SR 1337

DRAWN BY : B.N.BARODAWALA DATE : 4-19
 CHECKED BY : M.A.ALLEN DATE : 11-19
 DESIGN ENGINEER OF RECORD: A.K.PATEL DATE : 11-19

DOCUMENT NOT CONSIDERED
 FINAL UNLESS ALL
 SIGNATURES COMPLETED

REVISIONS						SHEET NO.
NO.	BY:	DATE:	NO.	BY:	DATE:	TOTAL SHEETS
1			3			S1-012
2			4			194