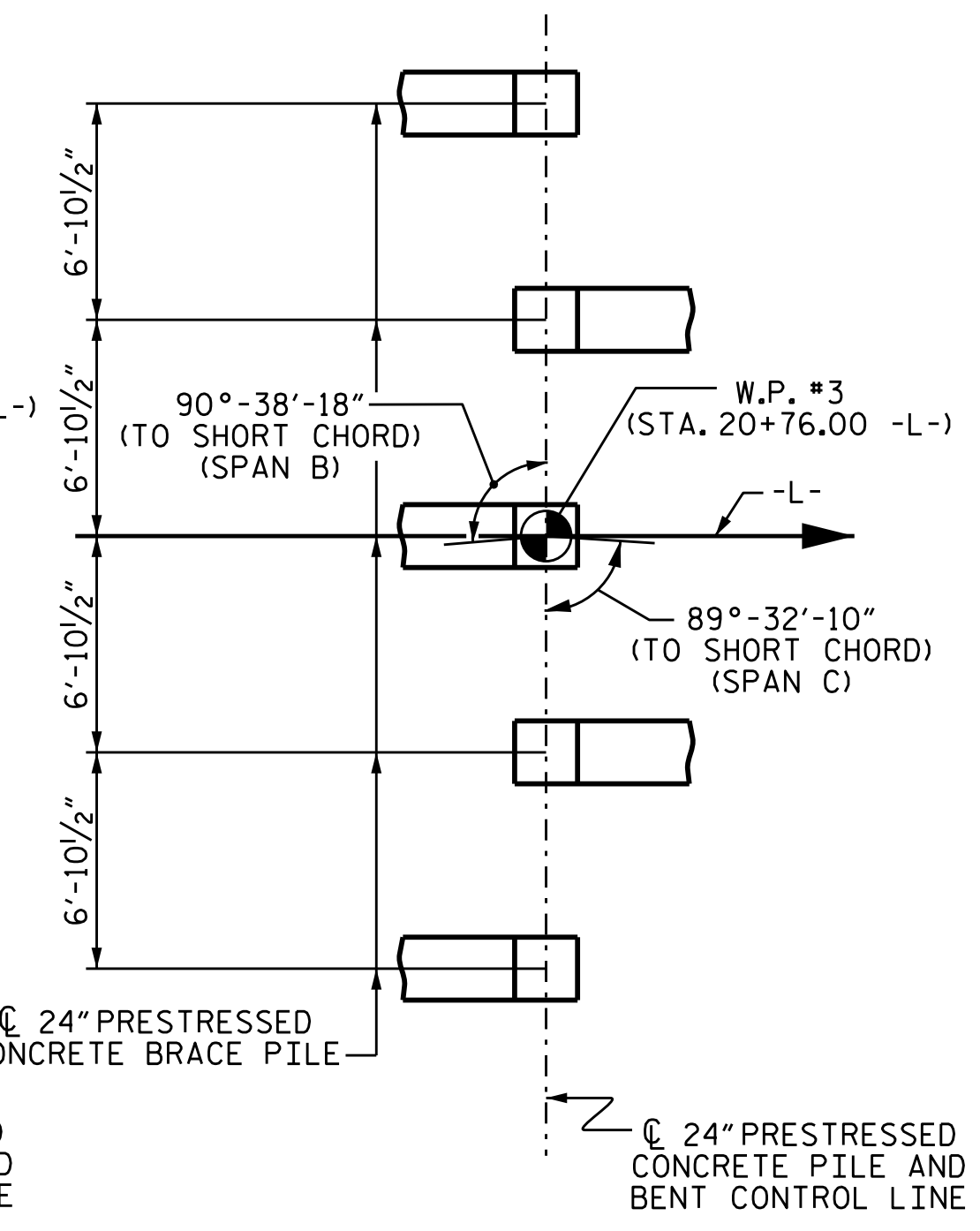
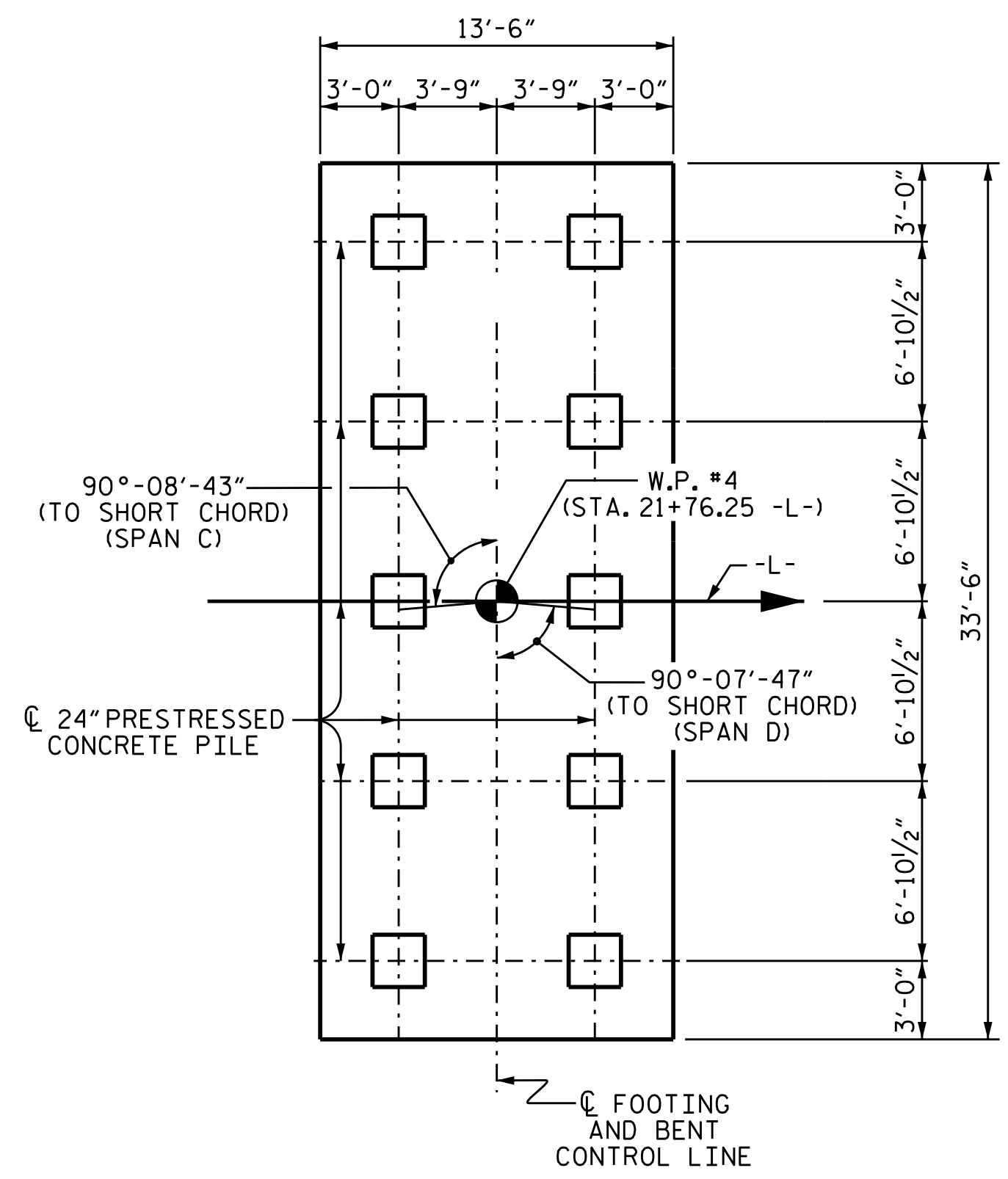


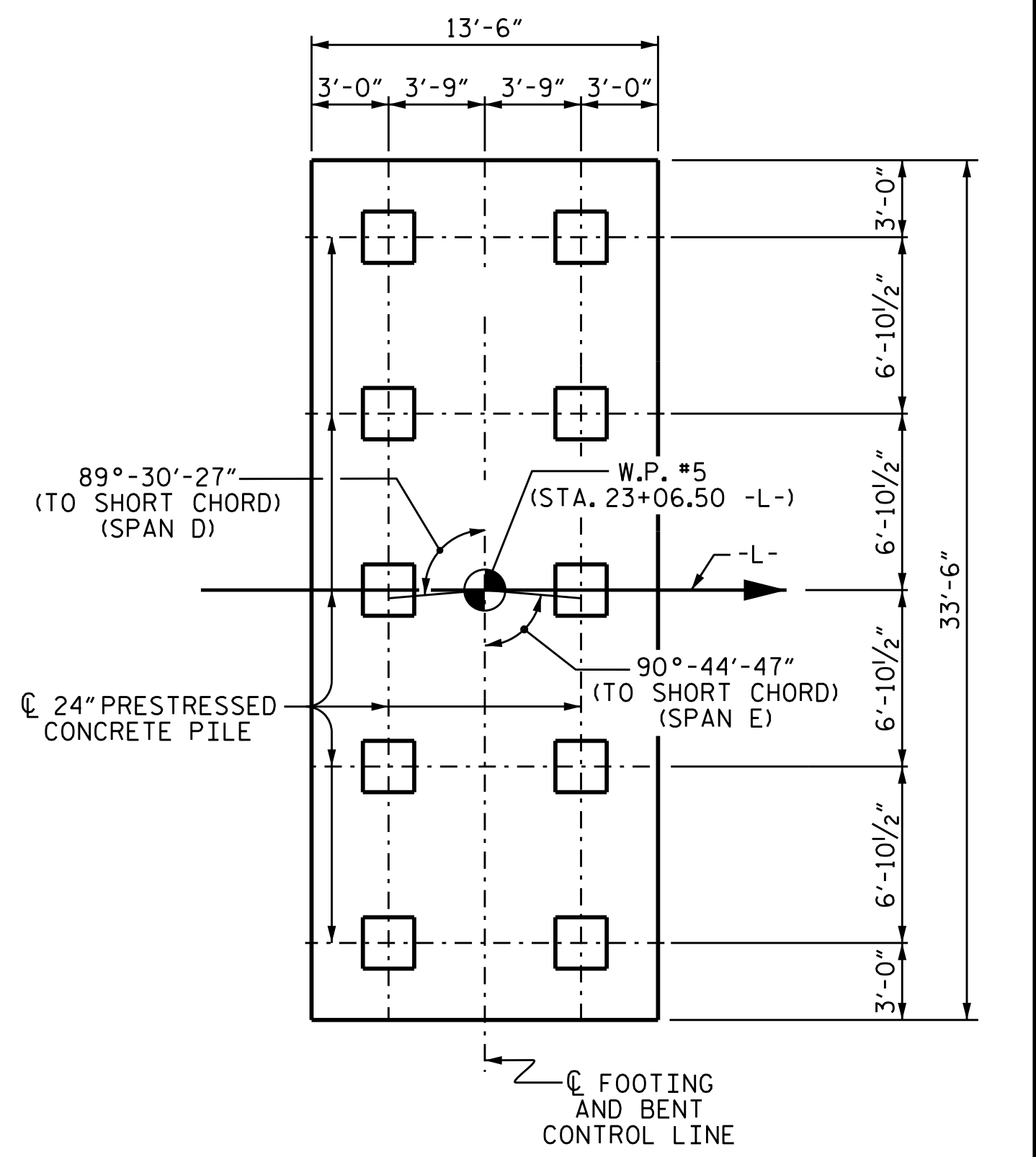
BENT 1



BENT 2

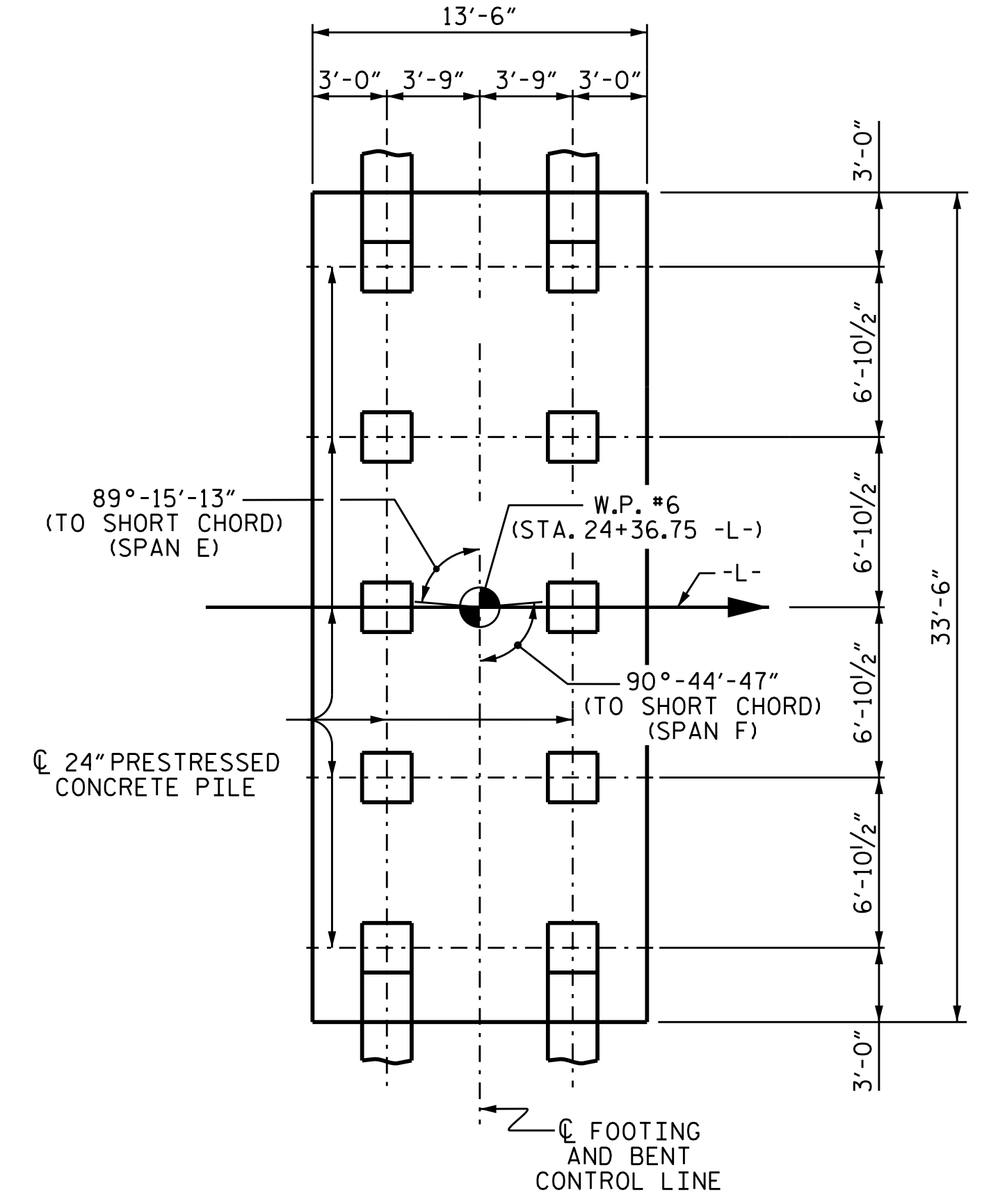


BENT 3

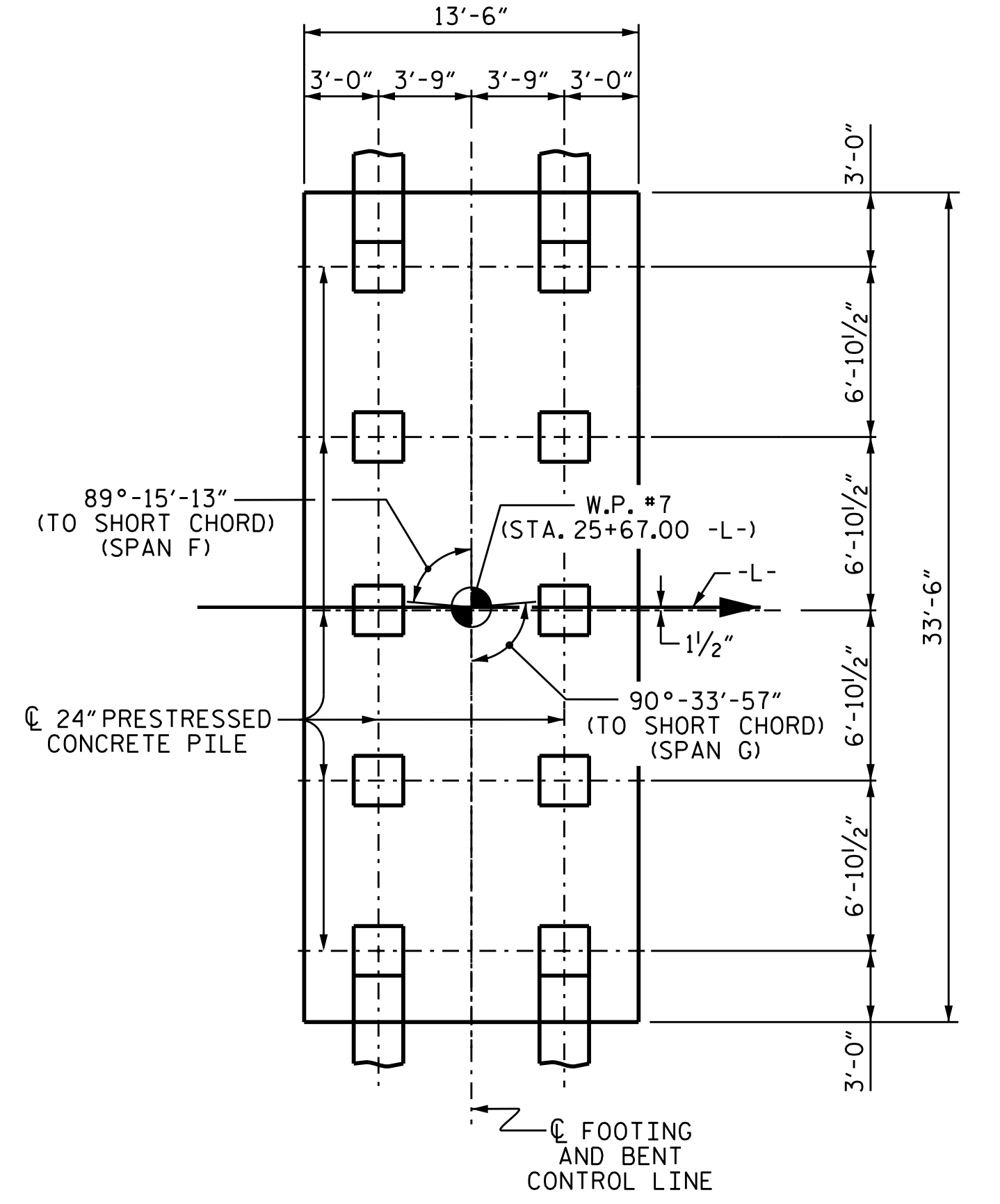


BENT 4

END BENT 1



BENT 5



BENT 6

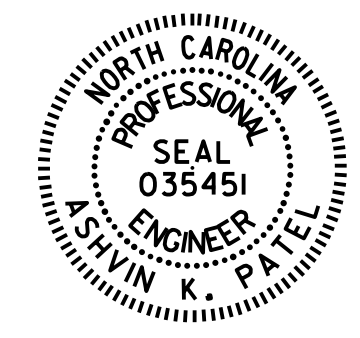
FOUNDATION LAYOUT

DIMENSIONS LOCATING PILES ARE SHOWN TO PILE CENTERLINE AT BOTTOM OF CAP OR FOOTING.

BRACE PILES @ INTERIOR BENTS ARE TO BE BATTERED @ 1/2"/FT.

PROJECT NO. B-4863
CARTERET COUNTY
 STATION: 34+75.00 -L-

SHEET 7 OF 16



DocuSigned by:
 Ashwin Patel
 7F186E5610240D3
 3/9/2020

STATE OF NORTH CAROLINA
 DEPARTMENT OF TRANSPORTATION
 RALEIGH
GENERAL DRAWING
 FOUNDATION LAYOUT
 FOR BRIDGE OVER
 'THE STRAITS'
 ON SR 1335 BETWEEN
 US 70 AND SR 1337

REVISIONS						SHEET NO.	
NO.	BY:	DATE:	NO.	BY:	DATE:	S1-009	
1			3			TOTAL SHEETS	194
2			4				

DRAWN BY : B.N.BARODAWALA DATE : 4-19
 CHECKED BY : M. A. ALLEN DATE : 11-19
 DESIGN ENGINEER OF RECORD: A. K. PATEL DATE : 11-19

DOCUMENT NOT CONSIDERED
 FINAL UNLESS ALL
 SIGNATURES COMPLETED