

29+50 30+00 30+50 31+00 31+50 32+00 32+50 33+00 33+50 34+00 34+50 35+00

(+16.0000% (-)5.0400%

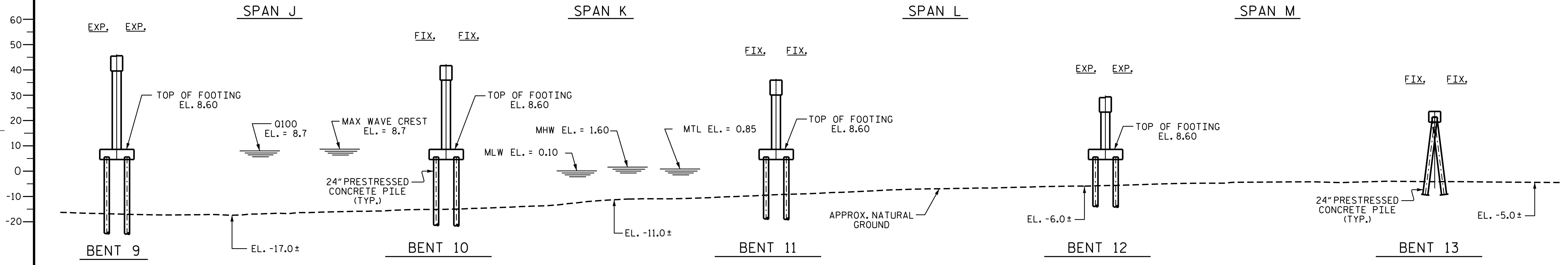
(-)5.0400% (-)0.5000%

GRADE DATA

PI STA. 27+05.00 -L-
EL. = 67.93
VC = 930'

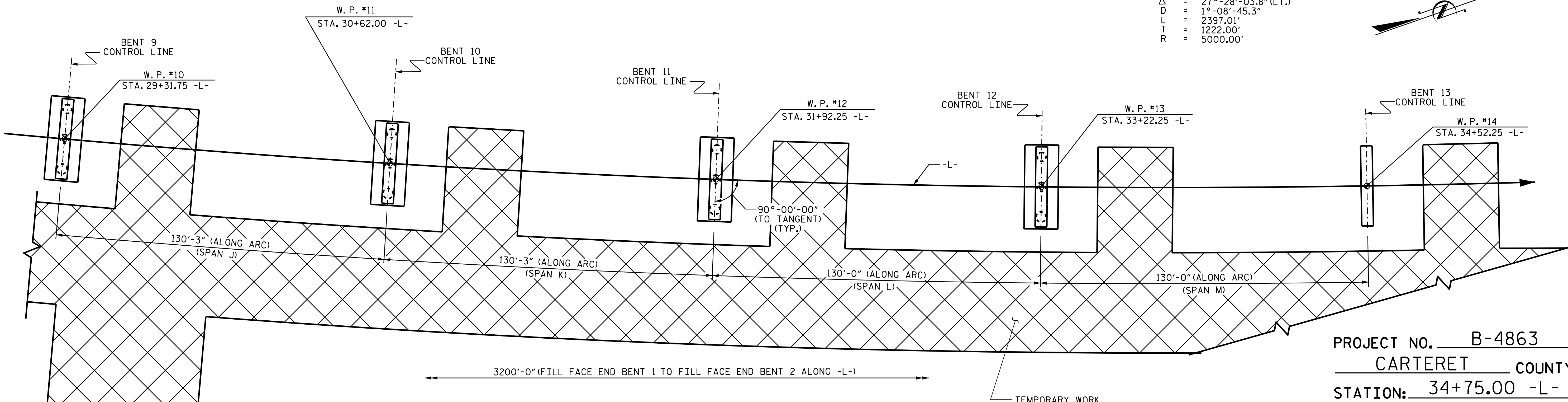
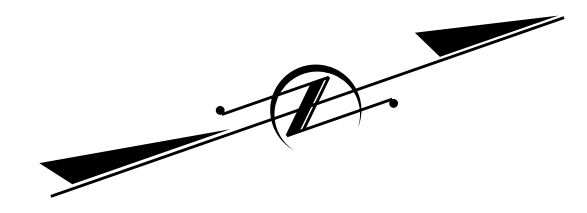
GRADE DATA

PI STA. 35+30.00 -L-
EL. = 26.35
VC = 450'



HORIZONTAL CURVE DATA

PI STA. = 34+74.21 -L-
Δ = 27°-28'-03.8" (L.T.)
D = 1°-08'-45.3"
L = 2397.01'
T = 1222.00'
R = 5000.00'



PROJECT NO. B-4863
CARTERET COUNTY
STATION: 34+75.00 -L-

SHEET 3 OF 16

STATE OF NORTH CAROLINA
DEPARTMENT OF TRANSPORTATION
RALEIGH

GENERAL DRAWING
FOR BRIDGE OVER
'THE STRAITS'
ON SR 1335 BETWEEN
US 70 AND SR 1337



DocuSigned by:
Ashwin Patel
7F186E610244D3
3/9/2020

DRAWN BY : B. N. BARODAWALA DATE : 4-19
CHECKED BY : M. A. ALLEN DATE : 11-19
DESIGN ENGINEER OF RECORD: A. K. PATEL DATE : 01-20

DOCUMENT NOT CONSIDERED
FINAL UNLESS ALL
SIGNATURES COMPLETED

REVISIONS						SHEET NO.	
NO.	BY:	DATE:	NO.	BY:	DATE:	TOTAL SHEETS	
1			3			S1-005	
2			4			194	