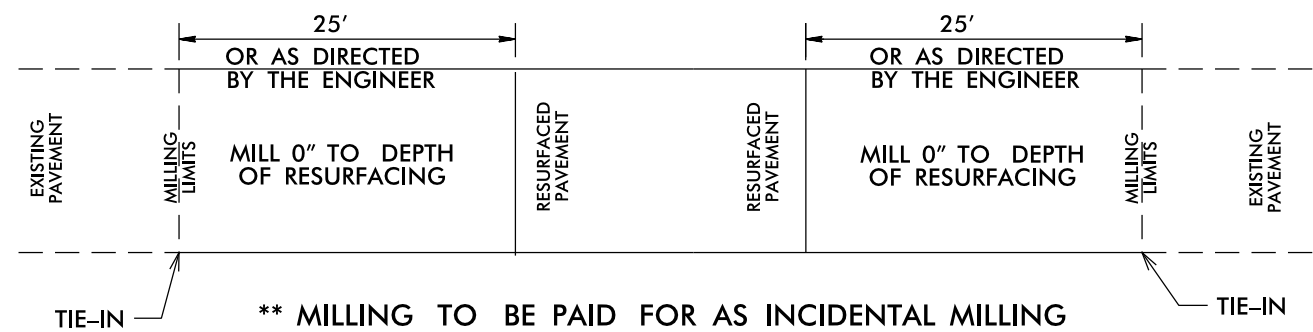
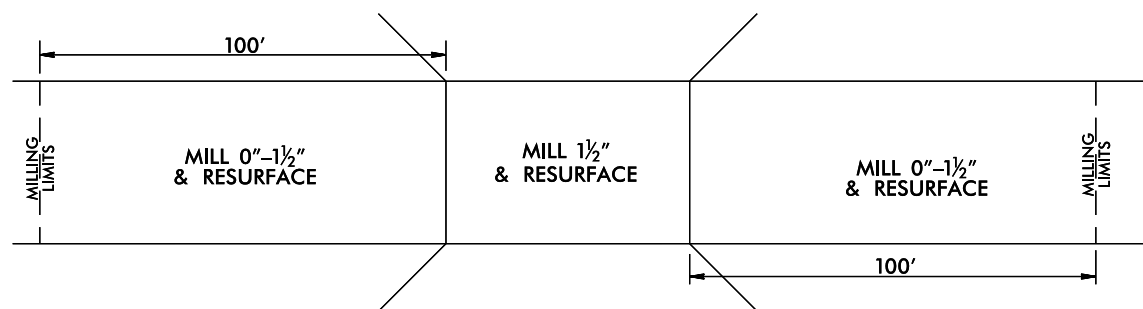


**BRIDGE DRAWING FOR  
MAP NO 1,2,3,4,5,6,7,8 US HWY 74 EBL/WBL  
(BRIDGE NO 190,191,207,208,209,210,211,212,213,214)**

\* TIE IN OPEN-GRADED ASPHALT FRICTION COURSE TO THE BRIDGE.



**PAVEMENT TIE-IN DETAIL**



**BRIDGE DRAWING FOR  
MAP NO 9 SR 1825 AIRPORT RD  
(BRIDGE NO 18)**

\* MILLING FOR APPROACHES SHALL BE PAID FOR UNDER INCIDENTAL MILLING