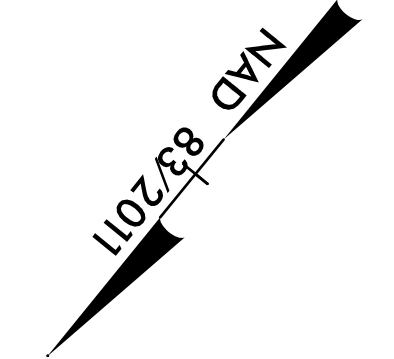
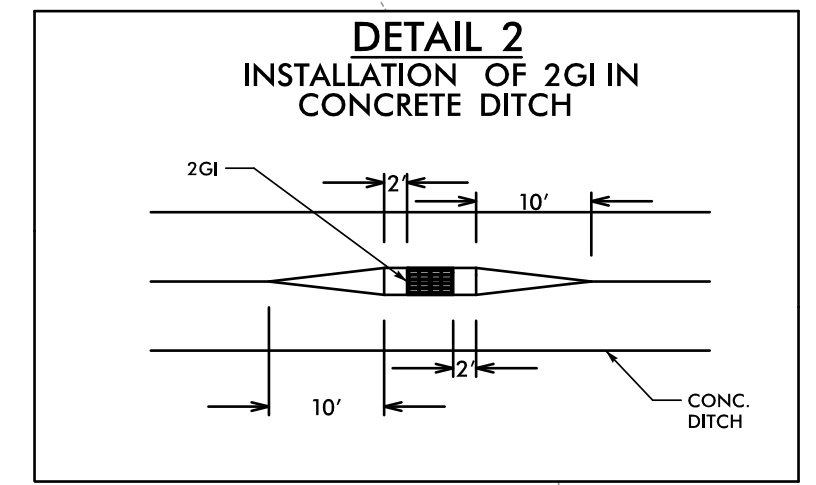


PROJECT REFERENCE NO. 15614.1075010	SHEET NO. 4
RW SHEET NO.	
ROADWAY DESIGN ENGINEER	HYDRAULICS ENGINEER
DOCUMENT NOT CONSIDERED FINAL UNLESS ALL SIGNATURES COMPLETED	
TGS ENGINEERS 804-C N. LAFAYETTE ST SHELBY, NC 28150 PH (704) 476-0003 CORP. LICENSE NO.: C-0275	

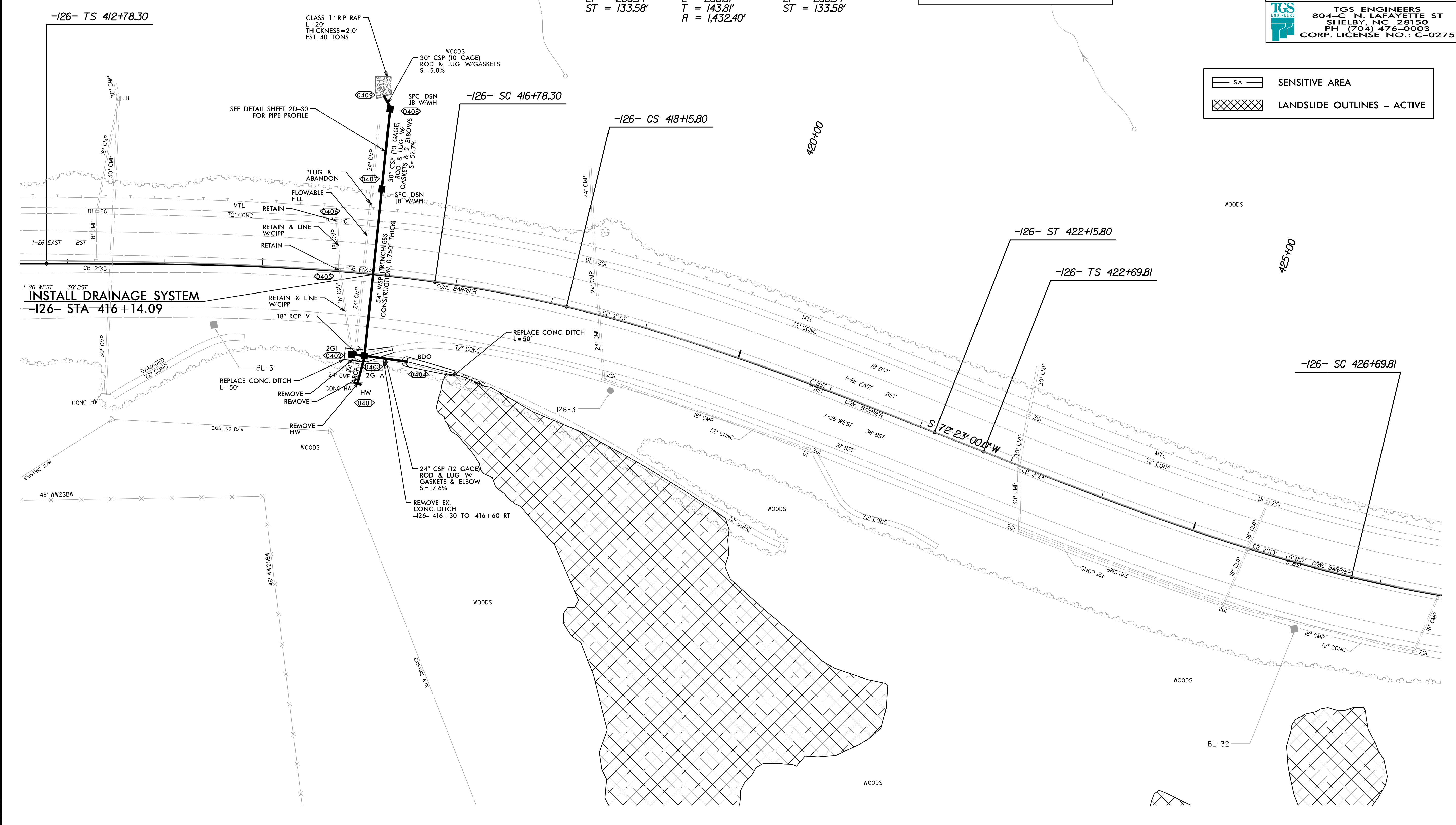
-I26- CURVE DATA

<i>Pls Sta 415+45.24</i>	<i>Pls Sta 417+47.11</i>	<i>Pls Sta 419+49.38</i>
<i>θs = 8° 00' 00.0"</i>	<i>Δ = 5° 30' 00.0" (RT)</i>	<i>θs = 8° 00' 00.0"</i>
<i>Ls = 400.00'</i>	<i>D = 4° 00' 00.0"</i>	<i>Ls = 400.00'</i>
<i>LT = 266.94'</i>	<i>L = 137.50'</i>	<i>LT = 266.94'</i>
<i>ST = 133.58'</i>	<i>T = 68.80'</i>	<i>ST = 133.58'</i>
	<i>R = 1,432.40'</i>	

<i>Pls Sta 425+36.75</i>	<i>Pls Sta 428+13.63</i>	<i>Pls Sta 430+90.06</i>
<i>θs = 8° 00' 00.0"</i>	<i>Δ = 11° 28' 00.0" (LT)</i>	<i>θs = 8° 00' 00.0"</i>
<i>Ls = 400.00'</i>	<i>D = 4° 00' 00.0"</i>	<i>Ls = 400.00'</i>
<i>LT = 266.94'</i>	<i>L = 286.67'</i>	<i>LT = 266.94'</i>
<i>ST = 133.58'</i>	<i>T = 143.81'</i>	<i>ST = 133.58'</i>
	<i>R = 1,432.40'</i>	



NOTE: ALL CSP GASKETS ARE TO BE SLEEVE GASKETS.



REVISIONS

4/8/2021 X:\NCB01\I-26 Howard Gap Rd Rehab\Roadway\Proj\I-26-Howard Gap_Rdy_psh_04.dgn