

**NOTES**

1. The International Fiber Systems DT1825 is an 8-channel contact mapping transmitter capable of transmitting up to eight contact closures over an optical fiber.
- \* 2. Power connections are with the supplied 12 Volt DC Plug-in Power Supply.
3. Relay 'K1' is a SPDT with a 120VAC coil. (DOT Material No. 625028600) (P&B# KRP5AG)
4. RCN is valued at .1 microFarad, 100 Ohm. (DOT Material No. 106018075)
5. Relocate existing equipment from existing cabinet to new cabinet.

**PREEMPT STATUS OUTPUT PROGRAMMING  
NOTES FOR 01-0010 I/O PIN REMAPPING**

In order for the bridge preempt call to be relayed to 01-0008 and 01-0009 make the following programming changes to Output No. 33 in the controller for 01-0010:

1. Change the function of C1 pin 35 to be an output for the bridge preempt. This is accomplished by the following:
  - A) Run the Configurator utility. Load a file as the Current DB.
  - B) Choose either the C1-out tab or C1-in tab to change the I/O mapping as needed. Use the drop down list within the program to select the assigned function for the pins shown below.
  - C) Save the database file and download it to the controller.

C1 PIN #	DEFAULT FUNCTION	ASSIGNED FUNCTION
----------	------------------	-------------------

PIN 35-PED 2 YELLOW → PREEMPT 2 STATUS

NOTE: TO RELAY BRIDGE PREEMPT TO CABINETS 01-0008 & 01-0009

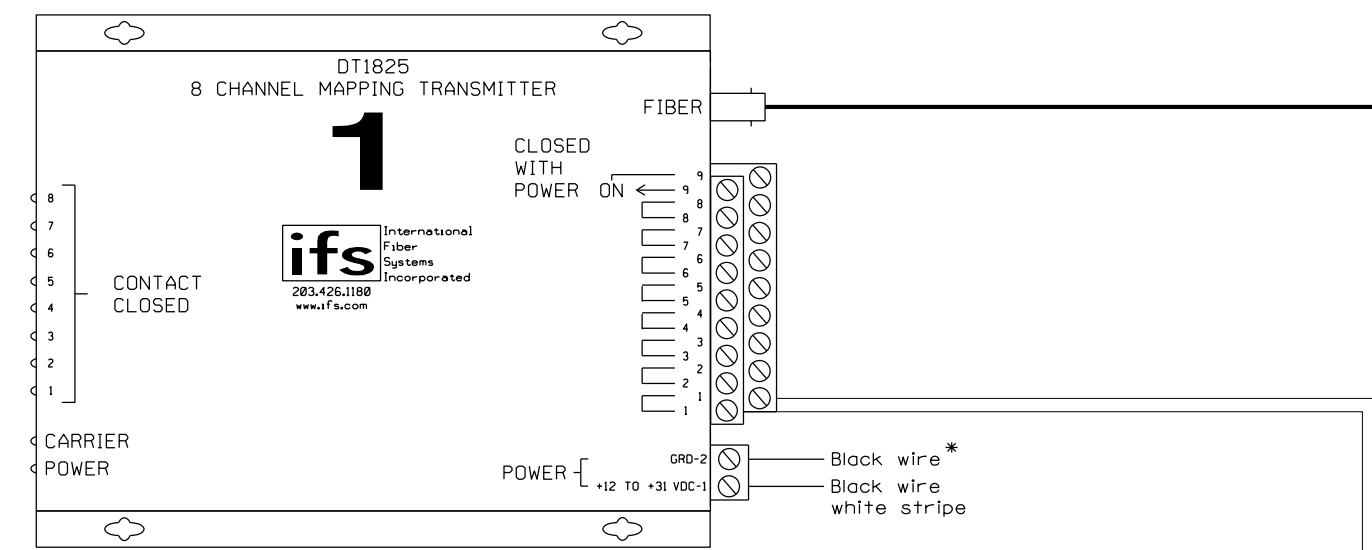
NOTE: The steps below can be used to view changes to I/O pins within the controller. Any I/O pins that have been remapped will display and show their default function in addition to the current assigned function.

- I. From Main Menu select **7. STATUS DISPLAY**
- II. From STATUS DISPLAY Submenu select **8. INPUTS/OUTPUTS**
- III. From INPUT/OUTPUT Submenu select **9. I/O DIFFERENCES**

2. If field terminal 114 has a conflict monitor wire attached, remove, tape, and label wire.
3. To prevent a 'phantom' (or false) conflict, install a load resistor on field terminal 115 (Ped 2 Walk) as shown on sheet 1.
4. Install a loadswitch in Output File Slot S3.

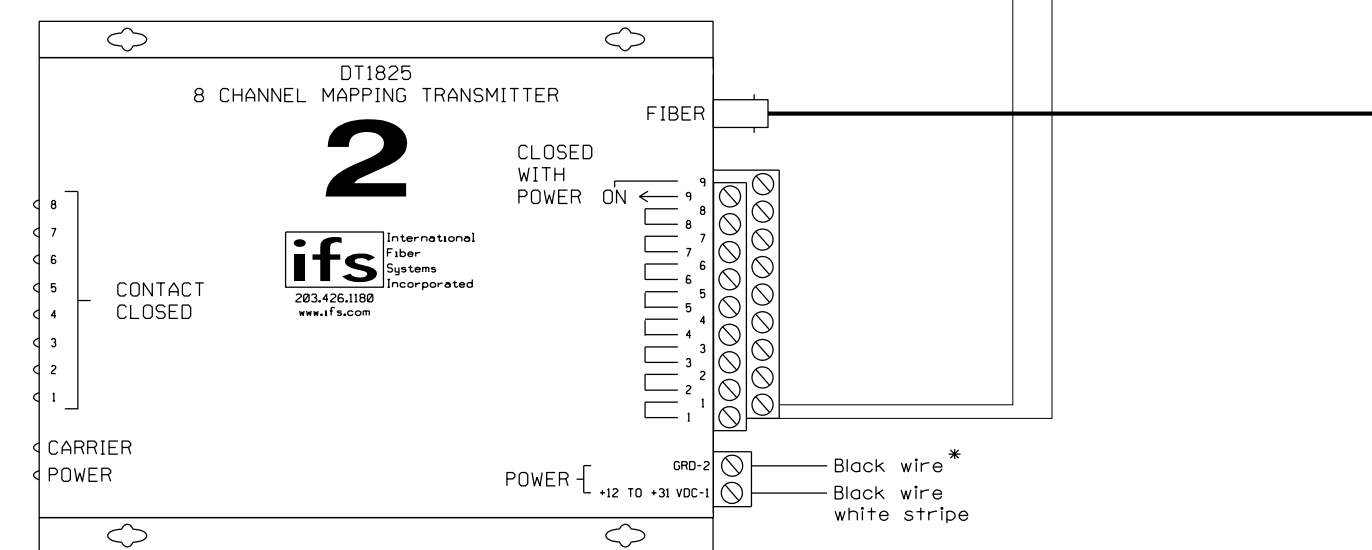
PHASE 2 PED YELLOW = PREEMPT 2 STATUS OUTPUT (OUTPUT 33)

**FIBER OPTIC CONTACT CLOSURE  
TRANSMITTER #1 WIRING FOR 01-0010**



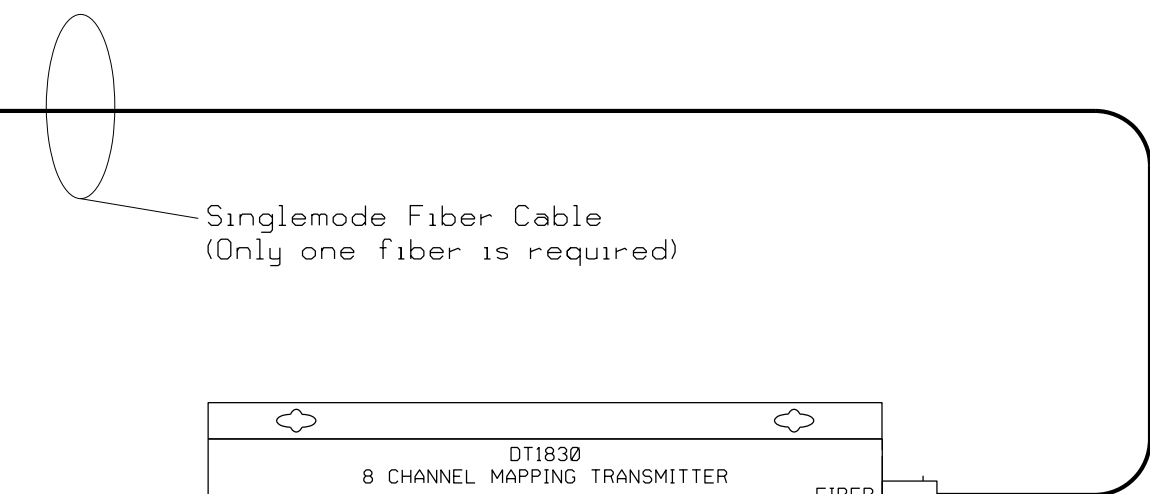
NOTE: WHEN CONTACTS CLOSE ON RELAY K1, BRIDGE PREEMPT CALL WILL BE GENERATED AT 01-0008 AND 01-0009.

**FIBER OPTIC CONTACT CLOSURE  
TRANSMITTER #2 WIRING FOR 01-0010**



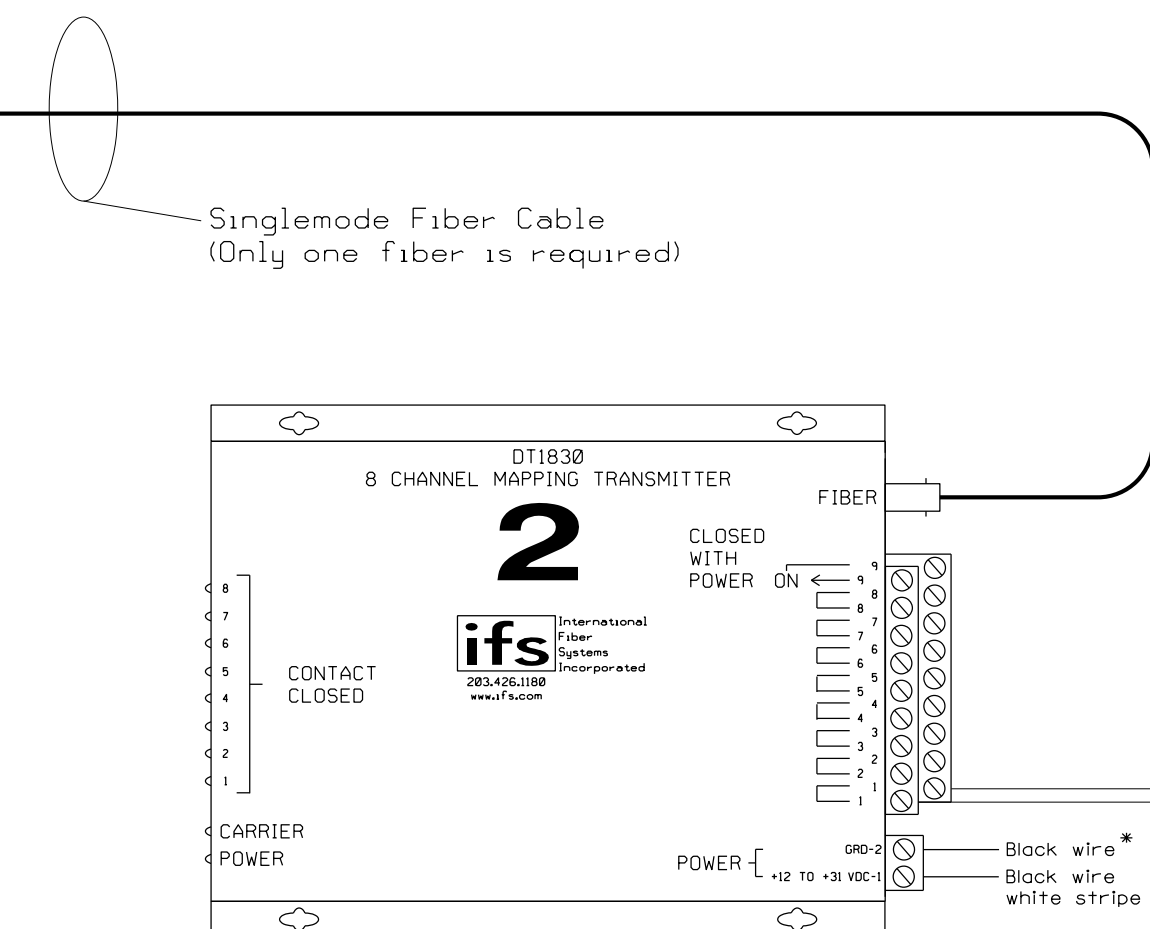
THIS ELECTRICAL DETAIL IS FOR THE SIGNAL DESIGN: 01-0010  
DESIGNED: FEBRUARY 2018  
SEALED: 08/22/2018  
REVISED: N/A

**FIBER OPTIC RECEIVER WIRING LOCATED AT 01-0008**



FOR WIRING SEE ELECTRICAL DETAIL FOR 01-0008.

**FIBER OPTIC RECEIVER WIRING LOCATED AT 01-0009**



FOR WIRING SEE ELECTRICAL DETAIL FOR 01-0009.

Electrical Detail - Sheet 4 of 4

ELECTRICAL AND PROGRAMMING DETAILS FOR:

Prepared for the Offices of:

Plans Prepared By:

DRMP, Inc.  
8000 Regency Parkway, Suite 175  
Charlotte, NC 27518  
NC License No. C-2215 (019) 650-1038

**US 158 (Elizabeth Street)  
at  
Water Street**

Division 1 Pasquotank County Elizabeth City

PLAN DATE: February 2018 REVIEWED BY: AJ Davis

PREPARED BY: DJ White REVIEWED BY: LM Moon

REVISIONS	INIT.	DATE

DOCUMENT NOT CONSIDERED FINAL UNLESS ALL SIGNATURES COMPLETED

SEAL

DocuSigned by:  
Lisa M. Moon  
9/20/2018

SIG. INVENTORY NO. 01-0010