

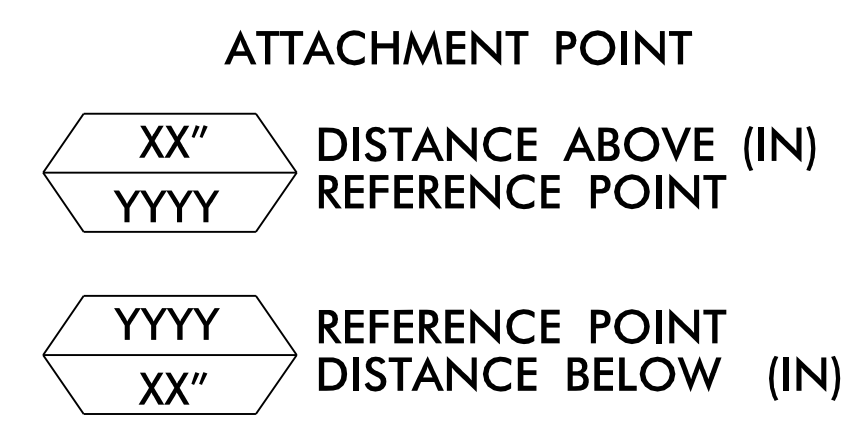
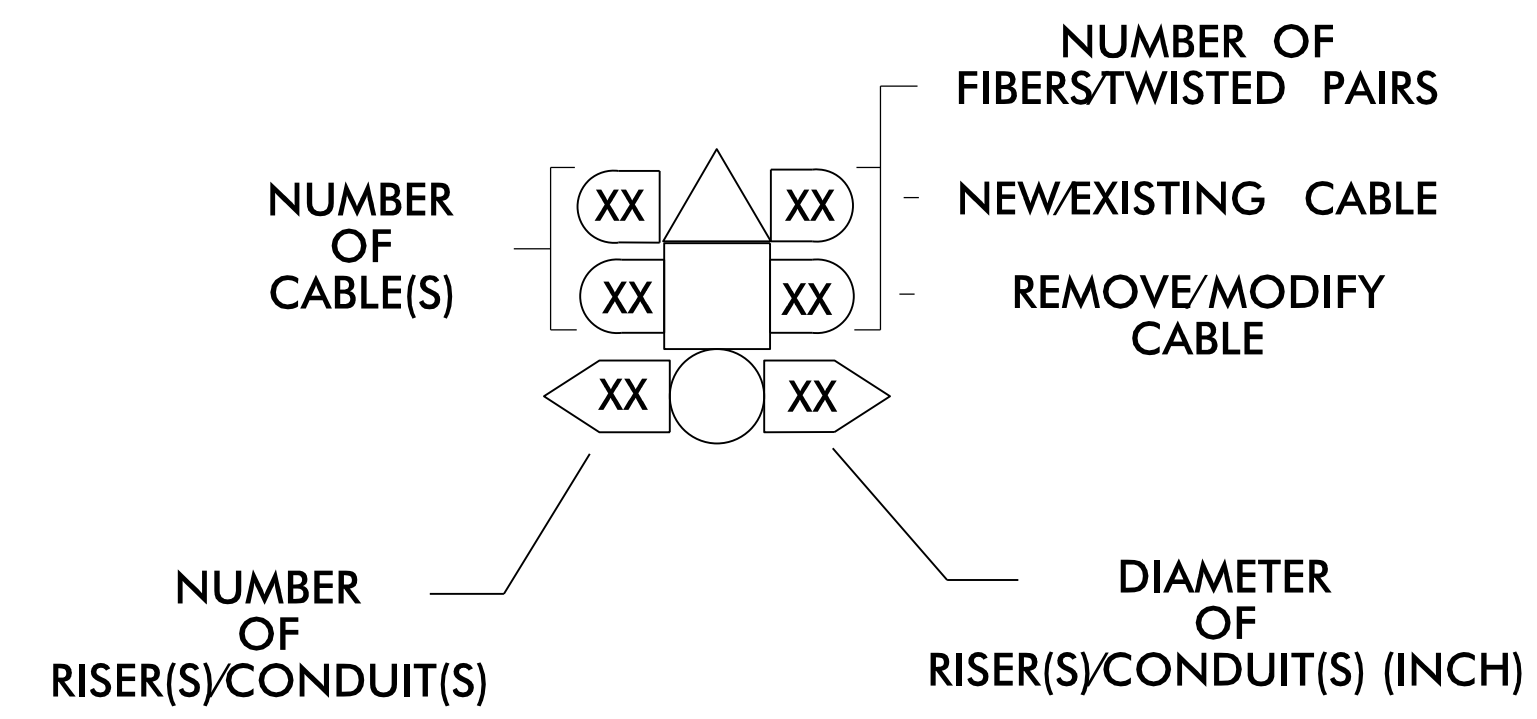
- 1 NOT USED
- 2 NOT USED
- 3 INSTALL ETHERNET CABLE
- 4 INSTALL SMFO CABLE
- 5 NOT USED
- 6 INSTALL FIBER OPTIC DROP CABLE
- 7 INSTALL TRACER WIRE
- 8 TRENCH
- 9 INSTALL PVC CONDUIT
- 10 INSTALL RIGID, GALVANIZED STEEL CONDUIT
- 11 INSTALL RIGID, GALVANIZED STEEL RISER WITH WEATHERHEAD
- 12 INSTALL RIGID, GALVANIZED STEEL RISER WITH FIBER OPTIC CABLE SEAL
- 13 INSTALL HEAT SHRINK TUBING RETROFIT KIT
- 14A NOT USED
- 14B INSTALL POLYETHYLENE CONDUIT
- 15 DIRECTIONAL DRILL CONDUIT
- 16 NOT USED
- 17 INSTALL CABLE(S) IN EXISTING CONDUIT
- 18 INSTALL CABLE(S) IN NEW CONDUIT
- 19 INSTALL CABLE(S) IN EXISTING RISER
- 20 INSTALL CABLE(S) IN NEW RISER
- 21 INSTALL CABLE(S) IN EXISTING CONDUIT STUBOUTS
- 22 INSTALL NEW CONDUIT INTO EXISTING CABINET BASE (USE EXISTING CONDUIT STUB-OUTS WHEN AVAILABLE)
- 23 INSTALL NEW RISER INTO EXISTING CABINET BASE (USE EXISTING CONDUIT STUB-OUTS WHEN AVAILABLE)
- 24 INSTALL NEW CONDUIT INTO EXISTING POLE MOUNTED CABINET
- 25 INSTALL NEW RISER INTO EXISTING POLE MOUNTED CABINET
- 26A MODIFY EXISTING INTERCONNECT CENTERSPLICE ENCLOSURE
- 26B MODIFY/RELOCATE EXISTING FIBER OPTIC TRANSCEIVER
- 27 INSTALL NEW ETHERNET EDGE SWITCH IN CABINET
- 28 INSTALL INTERCONNECT CENTER, PATCH PANEL, JUMPERS, AND FUSION SPLICE CABLE IN CABINET
- 29 INSTALL UNDERGROUND SPLICE ENCLOSURE
- 30 INSTALL AERIAL SPLICE ENCLOSURE
- 31 NOT USED

- 32 NOT USED
- 33 NOT USED
- 34 NOT USED
- 35 NOT USED
- 36 INSTALL CCTV CAMERA ASSEMBLY
- 37 INSTALL CCTV CAMERA 50' WOOD POLE
- 38 NOT USED
- 39 INSTALL JUNCTION BOX
- 40A INSTALL OVERSIZED JUNCTION BOX
- 40B INSTALL SPECIAL OVERSIZED JUNCTION BOX (36" x 24" x 24")
- 41 REMOVE EXISTING JUNCTION BOX
- 42 INSTALL WOOD POLE
- 43 NOT USED
- 44 INSTALL AERIAL GUY ASSEMBLY
- 45 INSTALL STANDARD GUY ASSEMBLY
- 46 INSTALL SIDEWALK GUY ASSEMBLY
- 47 INSTALL MESSENGER CABLE
- 48A REMOVE EXISTING COMMUNICATIONS CABLE AND MESSENGER CABLE
- 48B REMOVE EXISTING COMMUNICATIONS CABLE
- 49 NOT USED
- 50 NOT USED
- 51 INSTALL CABLE STORAGE RACKS (SNOW SHOES) AND STORE 100 FEET OF EACH CABLE
- 52A INSTALL DELINEATOR MARKER
- 52B INSTALL JUNCTION BOX MARKER
- 53A STORE 30 FEET OF COMMUNICATIONS CABLE
- 53B STORE 50 FEET OF EACH COMMUNICATIONS CABLE
- 54 LASH CABLE(S) TO EXISTING SIGNAL/COMMUNICATIONS CABLE
- 55 LASH CABLE(S) TO EXISTING MESSENGER CABLE
- 56 LASH CABLE(S) TO NEW MESSENGER CABLE
- 57 HANDLASH AND INSTALL AERIAL CABLE PROTECTOR
- 58 NOT USED
- 59 BOND TRACER WIRE TO EQUIPMENT GROUND BUS
- 60 DO NOT BOND TRACER WIRE TO EQUIPMENT GROUND BUS
- 61 BOND RISER AND MESSENGER CABLE TO POLE GROUND
- 62 BOND RISER TO POLE GROUND

- 63 BOND MESSENGER CABLE TO POLE GROUND
- 64 INSTALL MOLDABLE DUCT SEAL
- 65 SLACK SPAN

CONSTRUCTION NOTE SYMBOLOGY KEY

- XX INDICATES NUMBER OF CABLES, LOOPS, ETC.
- XX INDICATES NUMBER OF FIBERS PER CABLE, TWISTED PAIRS PER CABLE, ETC.
- XX INDICATES NUMBER OF RISER(S)/CONDUIT(S)
- XX INDICATES DIAMETER OF RISER(S)/CONDUIT(S) (INCH)

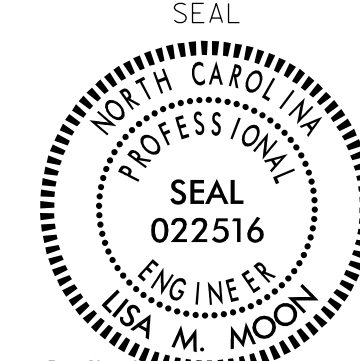


Plans Prepared By:



DRMP, Inc.
8000 Regency Parkway, Suite 175
Cary, NC 27518
NC License No. C-2213 (919) 650-1038

DOCUMENT NOT CONSIDERED FINAL UNLESS ALL SIGNATURES COMPLETED

	Elizabeth City Signal System Construction Notes	
	Division 1 Pasquotank County Elizabeth City PLAN DATE: April 2018 REVIEWED BY: LM Moon PREPARED BY: RD Lawton REVIEWED BY:	SCALE: N.T.S. REVISIONS:
DocuSigned by: Lisa M. Moon 8/22/2018	DATE:	CADD Filename: