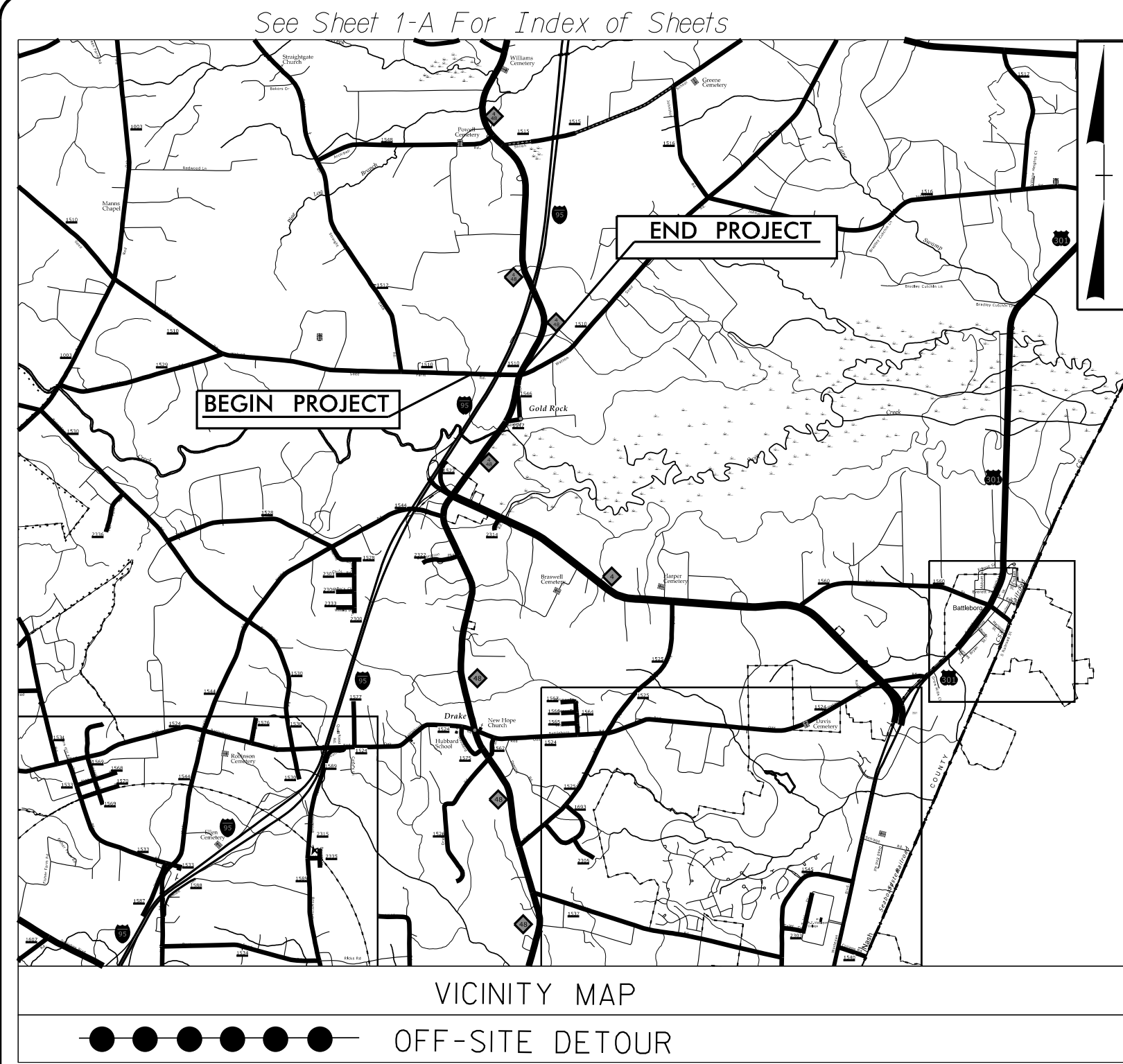


1/9/19  
 UPDATED UTILITY OWNERS 3/28/19  
 UPDATED BRIDGE STATIONS 6/4/19  
 UPDATED UTL\_DSN 7/31/19

**TIP PROJECT: BR-0039**



STATE OF NORTH CAROLINA  
 DIVISION OF HIGHWAYS

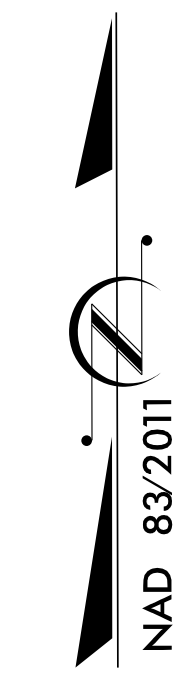
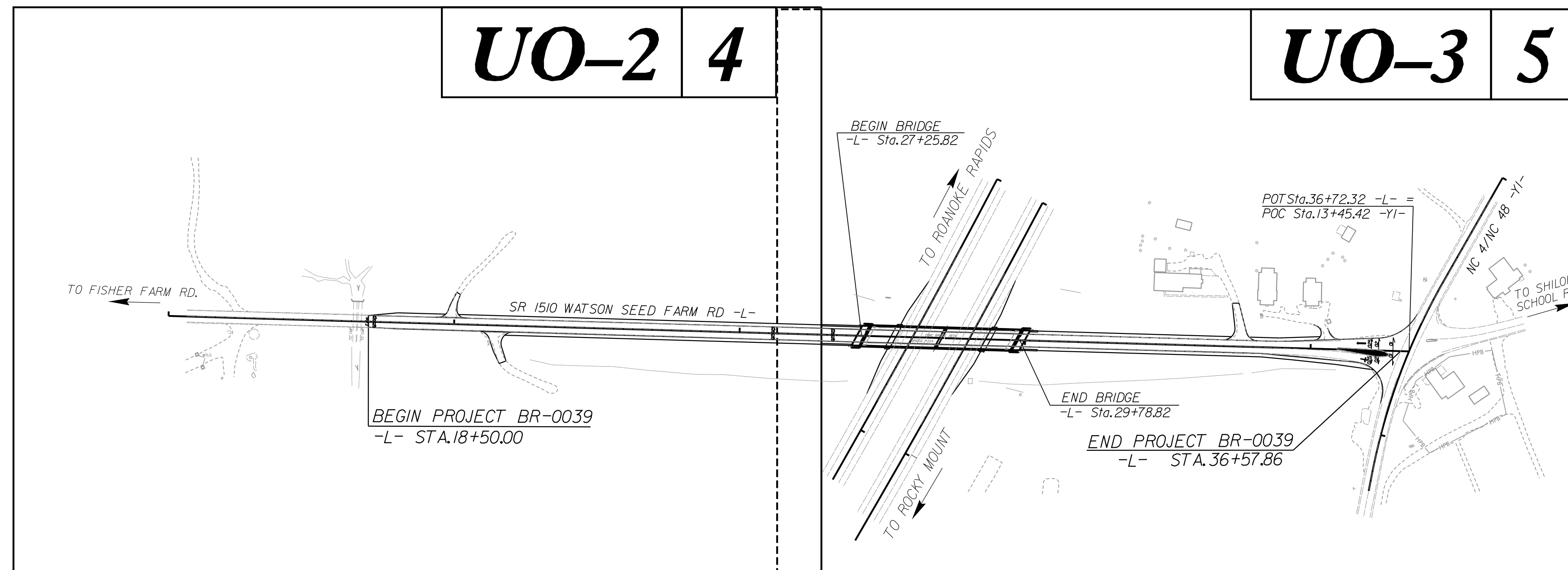
**UTILITIES BY OTHERS  
 NASH COUNTY**

**LOCATION: BRIDGE NO. 630224 ON SR 1510 OVER I-95.**

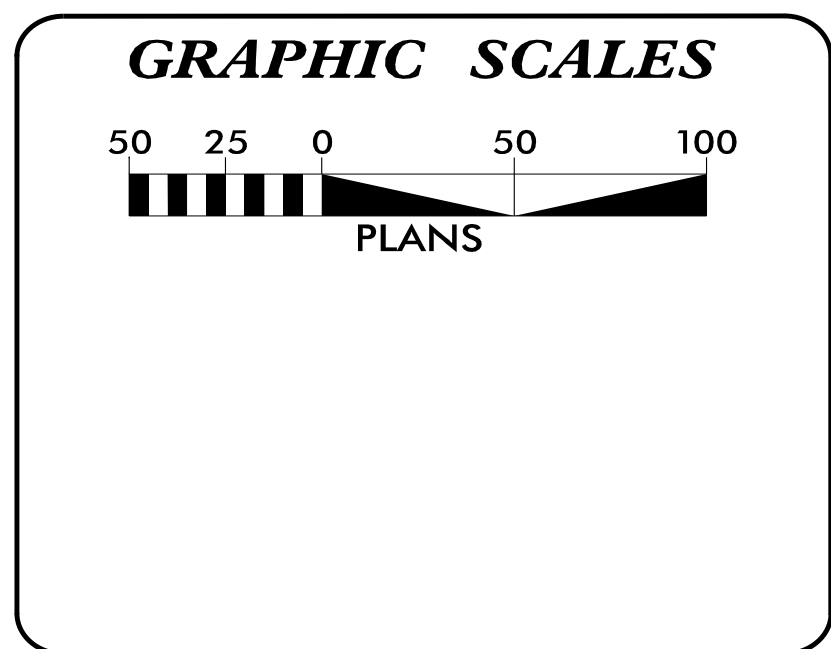
**TYPE OF WORK: RELOCATION OF COMMUNICATIONS  
 & POWER LINES**

T.I.P. NO.	SHEET NO.
BR-0039	UO-1

**NOTE:**  
 ALL UTILITY WORK SHOWN ON THIS SHEET WILL BE DONE BY OTHERS. NO PAYMENT WILL BE MADE TO THE CONTRACTOR FOR UTILITY WORK SHOWN ON THIS SHEET.



STRUCTURES\31748-42\_NASH224\UTILITIES\NASH224\_TSH\_UO1.DGN



**INDEX OF SHEETS**

SHEET NO.:	DESCRIPTION:
UO-1	TITLE SHEET
UO-2 AND UO-3	UBO PLAN SHEETS

**UTILITY OWNERS WITH CONFLICTS**

(A) POWER - CITY OF ROCKY MOUNT ENERGY RESOURCES

(B) COMMUNICATIONS - CENTURYLINK

PREPARED IN THE OFFICE OF:

**Vaughn & Melton**  
 Consulting Engineers  
 Charlotte,  
 North Carolina  
 704 357 0488

Paul Garrett, PE	PROJECT MANAGER
Nick Asaro	PROJECT UTILITY MANAGER
Will Matthews	PROJECT UTILITY COORDINATOR

**DIVISION OF HIGHWAYS  
 UTILITIES UNIT**  
 1555 MAIL SERVICES CENTER  
 RALEIGH NC 27699-1555  
 PHONE (919) 707-6690  
 FAX (919) 250-4151

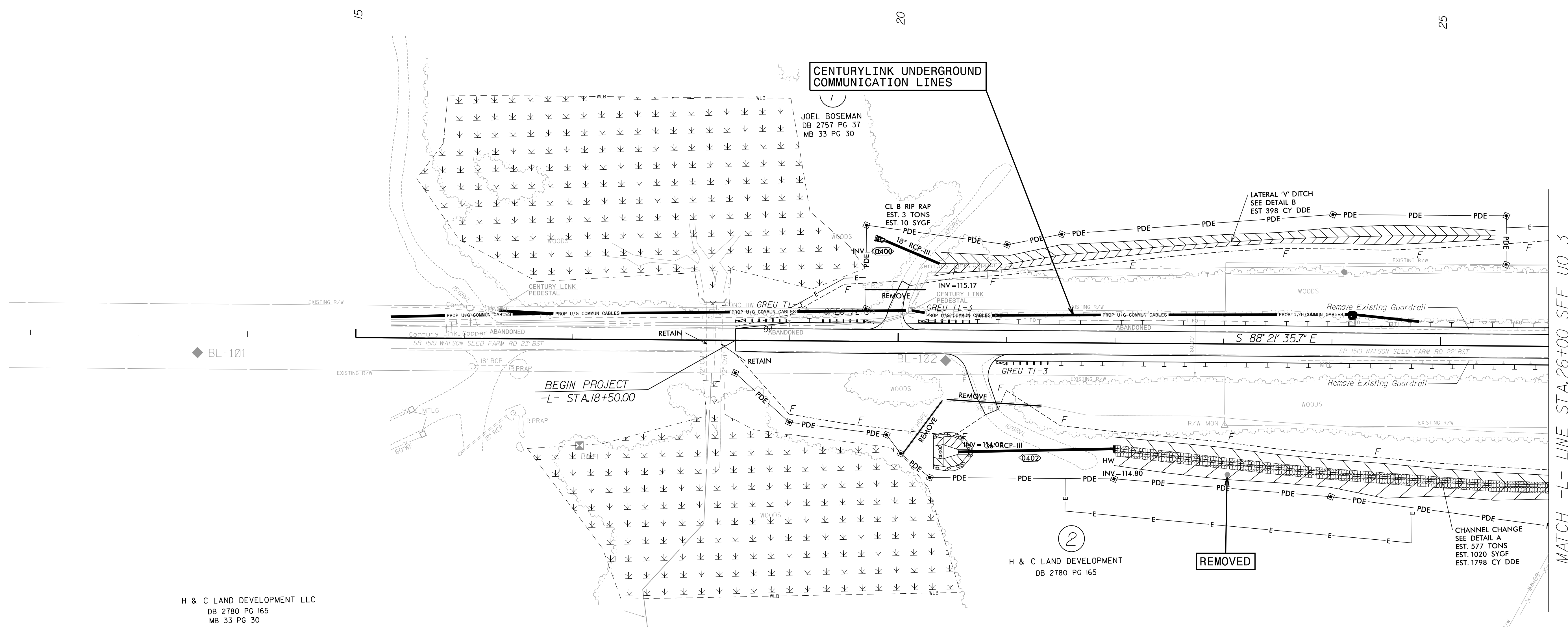
Nabil Hamdan	UTILITIES REGIONAL ENGINEER
Kelvin Martin, EI	UTILITIES ENGINEER
Kyle Pleasant	UTILITIES AREA COORDINATOR
Larry James, Jr	UTILITIES COORDINATOR

1/9/19  
 UPDATED EXIST UTL 03/28/19  
 UPDATED HYD.DRN 6/3/19  
 UPDATED UTL.DSN 6/10/19  
 UPDATED UTL.DSN FOR PRELIM UBO 6/26/19  
 UPDATE UTL.DSN 7/31/19

PROJECT REFERENCE NO.	SHEET NO.
BR-0039	U0-2
THIS SHEET CORRESPONDS TO RDY-4	

**UTILITIES BY OTHERS**

ALL PROPOSED UTILITY WORK SHOWN ON THIS SHEET WILL BE DONE BY OTHERS. NO PAYMENT WILL BE MADE TO THE CONTRACTOR FOR PROPOSED UTILITY WORK SHOWN ON THIS SHEET.



H & C LAND DEVELOPMENT LLC  
 DB 2780 PG 165  
 MB 33 PG 30

MATCH -L- LINE STA.26+00 SEE U0-3

100 SCALE 11X17

**V&M**  
**Vaughn & Melton**  
 Consulting Engineers

Charlotte, North Carolina 704-581-0568  
 Tri-Cities, Tennessee 423-461-8400  
 Knoxville, Tennessee 865-546-5800  
 Asheville, North Carolina 828-253-2196  
 Middlesboro, Kentucky 606-248-6500  
 Spartanburg, South Carolina 864-574-4775

Copyright © 2006 Vaughn & Melton, Inc. All Rights Reserved



STRUCTURES\31748-42\_NASH224 UTILITIES\NASH224\_UT\_PSH4\_U02.DGN

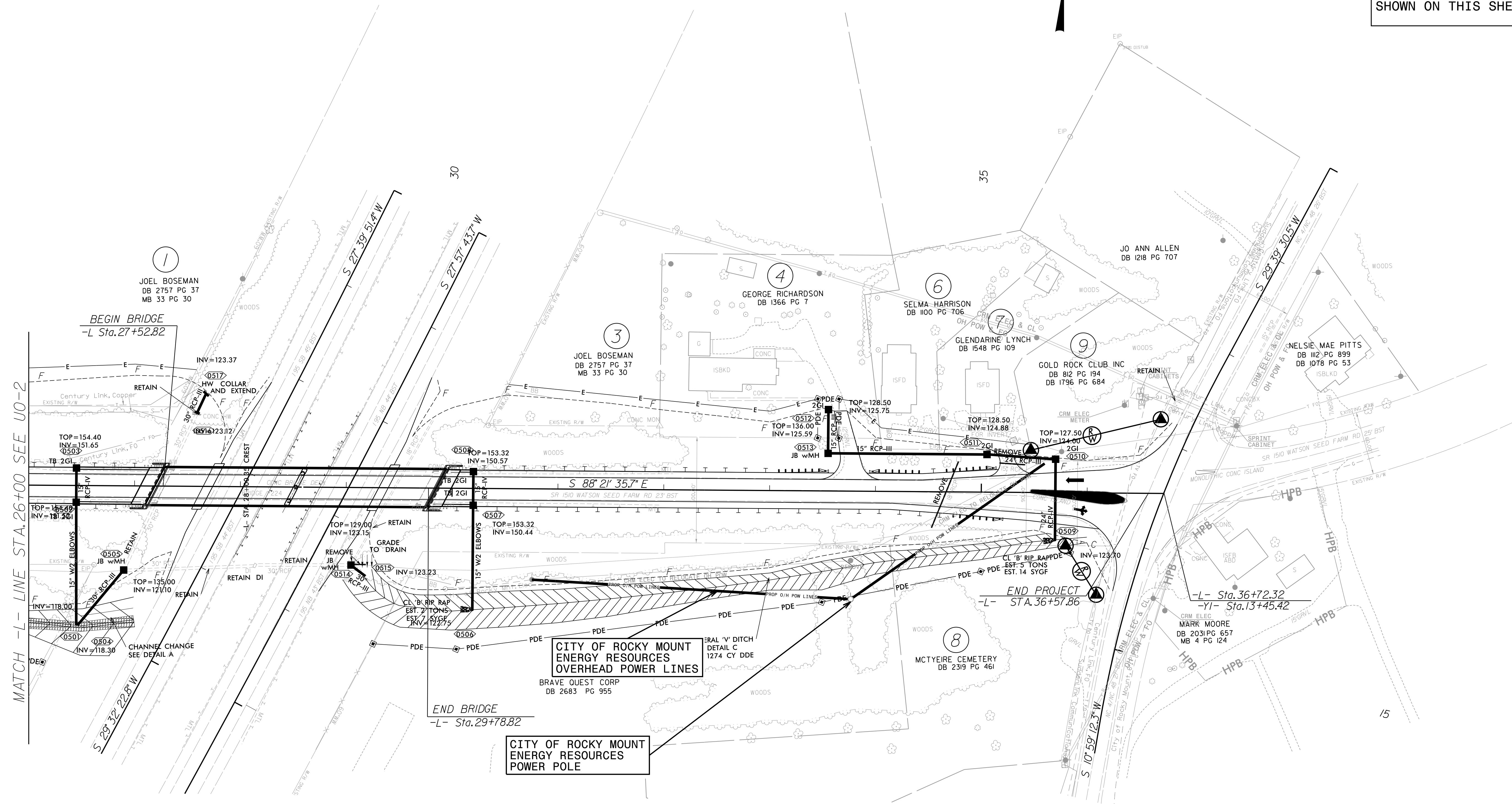
1/9/19  
 UPDATED EXIST UTL 3/28/19  
 UPDATED HYD.DRN 6/3/19  
 UPDATED UTL.DSN 6/10/19  
 UPDATE UTL.DSN FOR PRELIM UBO 6/26/19  
 UPDATED UTL.DSN 7/31/19

PROJECT REFERENCE NO.	SHEET NO.
BR-0039	U0-3
THIS SHEET CORRESPONDS TO RDY-5	

1. CENTURYLINK AND SUDDENLINK HAVE NO CONFLICTS ON THIS SHEET.

**UTILITIES BY OTHERS**  
 ALL PROPOSED UTILITY WORK SHOWN ON THIS SHEET WILL BE DONE BY OTHERS. NO PAYMENT WILL BE MADE TO THE CONTRACTOR FOR PROPOSED UTILITY WORK SHOWN ON THIS SHEET.

NAD 83  
 NA 2011



MATCH -L- LINE STA. 26+00 SEE U0-2

BEGIN BRIDGE  
 -L- Sta. 27+52.82

END BRIDGE  
 -L- Sta. 29+78.82

END PROJECT  
 -L- STA. 36+57.86

-L- Sta. 36+72.32  
 -YI- Sta. 13+45.42

CITY OF ROCKY MOUNT  
 ENERGY RESOURCES  
 OVERHEAD POWER LINES

CITY OF ROCKY MOUNT  
 ENERGY RESOURCES  
 POWER POLE

100 SCALE 11X17

Consulting Engineers

Asheville, North Carolina 828-253-2196

Charlotte, North Carolina 704-551-0868

Tri-Cities, Tennessee 423-461-8400

Knoxville, Tennessee 865-546-5800

Middlesboro, Kentucky 606-248-6600

Spartanburg, South Carolina 864-514-4715

Copyright © 2006 Vaughn & Melton, Inc. All Rights Reserved



STRUCTURES\31748-42\_NASH224 UTILITIES\NASH224\_UT\_PSH5\_U03.DGN