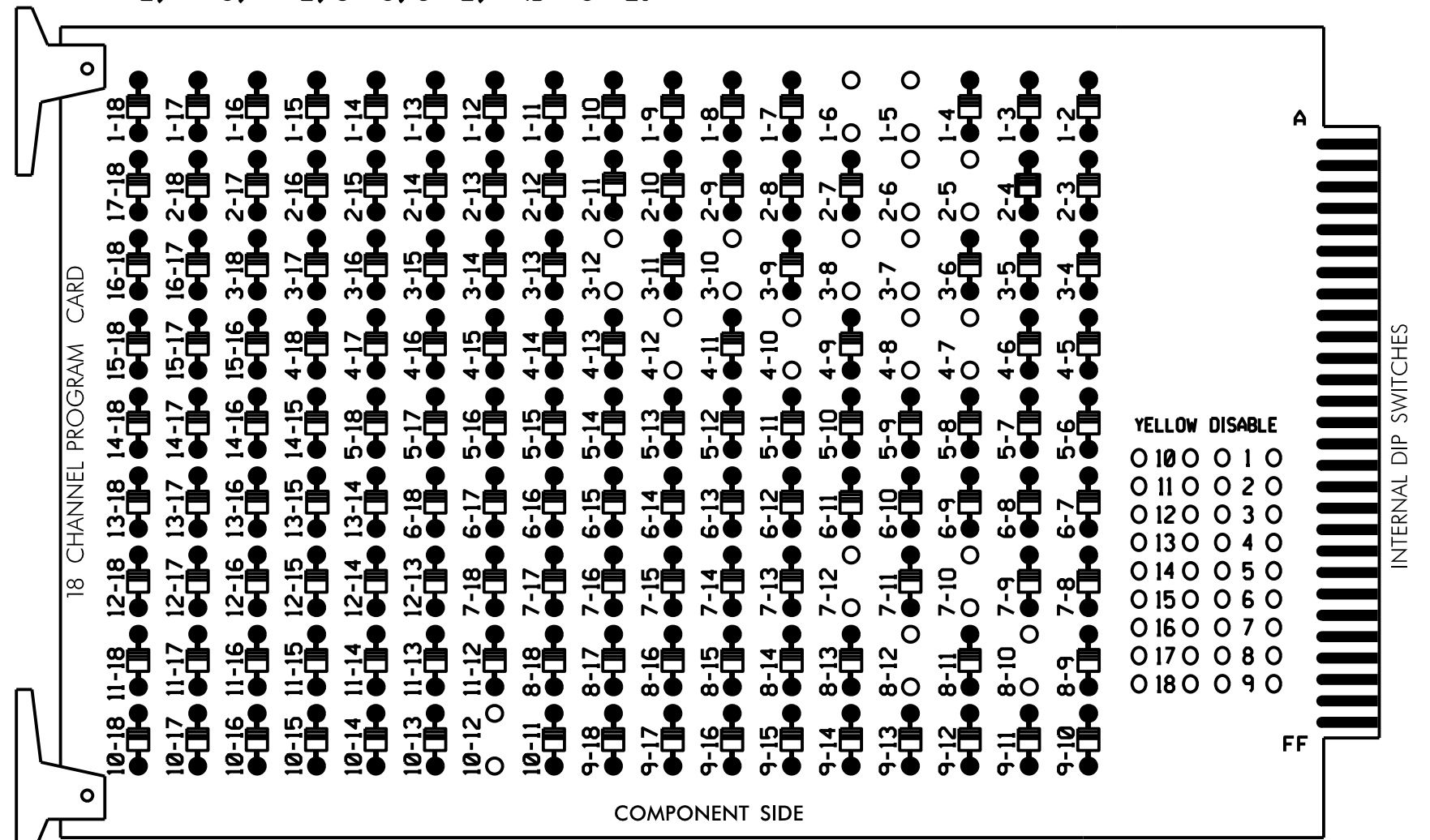


EDI MODEL 2018ECL-NC CONFLICT MONITOR PROGRAMMING DETAIL

(remove jumpers and set switches as shown)

REMOVE DIODE JUMPERS 1-5, 1-6, 2-5, 2-6, 3-7, 3-8, 3-10, 3-12, 4-7, 4-8, 4-10, 4-12, 7-10, 7-12, 8-10, 8-12, AND 10-12.



REMOVE JUMPERS AS SHOWN

NOTES:

- Card is provided with all diode jumpers in place. Removal of any jumper allows its channels to run concurrently.
- Ensure jumpers SEL2-SEL5 and SEL9 are present on the monitor board.
- Ensure that Red Enable is active at all times during normal operation.
- Connect serial cable from conflict monitor to comm. port 1 of 2070 controller. Ensure conflict monitor communicates with 2070.

■ = DENOTES POSITION OF SWITCH

NOTES

- To prevent "flash-conflict" problems, insert red flash program blocks for all unused vehicle load switches in the output file. The installer shall verify that signal heads flash in accordance with the Signal Plans.
- Program phases 4 and 8 for Dual Entry.
- Enable Simultaneous Gap-Out for all Phases.
- Remove phase 2 for Variable Initial and Gap Reduction.
- Program phase 6 for Variable Initial and Gap Reduction.
- Program phases 2 and 6 for Startup In Green.
- Program phases 2 and 6 for Yellow Flash, and overlap 2 as Wag Overlaps.
- The cabinet and controller are part of the Rocky Mount Signal System.

EQUIPMENT INFORMATION

CONTROLLER.....2070
 CABINET.....332 W/ AUX
 SOFTWARE.....ECONOLITE OASIS
 CABINET MOUNT.....BASE
 OUTPUT FILE POSITIONS...18 WITH AUX. OUTPUT FILE
 LOAD SWITCHES USED.....S1,S2,S4,S5,S7,S8,S10,S11,AUX S2,AUX S5
 PHASES USED.....1,2,3,4,5,6,7,8
 OVERLAP "A".....NOT USED
 OVERLAP "B".....3+4
 OVERLAP "C".....NOT USED
 OVERLAP "D".....7+8

SIGNAL HEAD HOOK-UP CHART

LOAD SWITCH NO.	S1	S2	S3	S4	S5	S6	S7	S8	S9	S10	S11	S12	AUX S1	AUX S2	AUX S3	AUX S4	AUX S5	AUX S6
CMU CHANNEL NO.	1	2	13	3	4	14	5	6	15	7	8	16	9	10	17	11	12	18
PHASE	1	2	2 PED	3	4	4 PED	5	6	6 PED	7	8	8 PED	OLA	OLB	SPARE	OLC	OLD	SPARE
SIGNAL HEAD NO.	11	21,22	NU	31	41,42	NU	42	51	61,62	NU	62	71	81,82	NU	31	NU	71	NU
RED		128			101				134		*		107					
YELLOW		129		*	102				135				108					
GREEN		130			103				136				109					
RED ARROW	125								131						A124			A101
YELLOW ARROW	126								132	132			123		A125			A102
FLASHING YELLOW ARROW															A126			A103
GREEN ARROW	127				118				133	133			124	124				

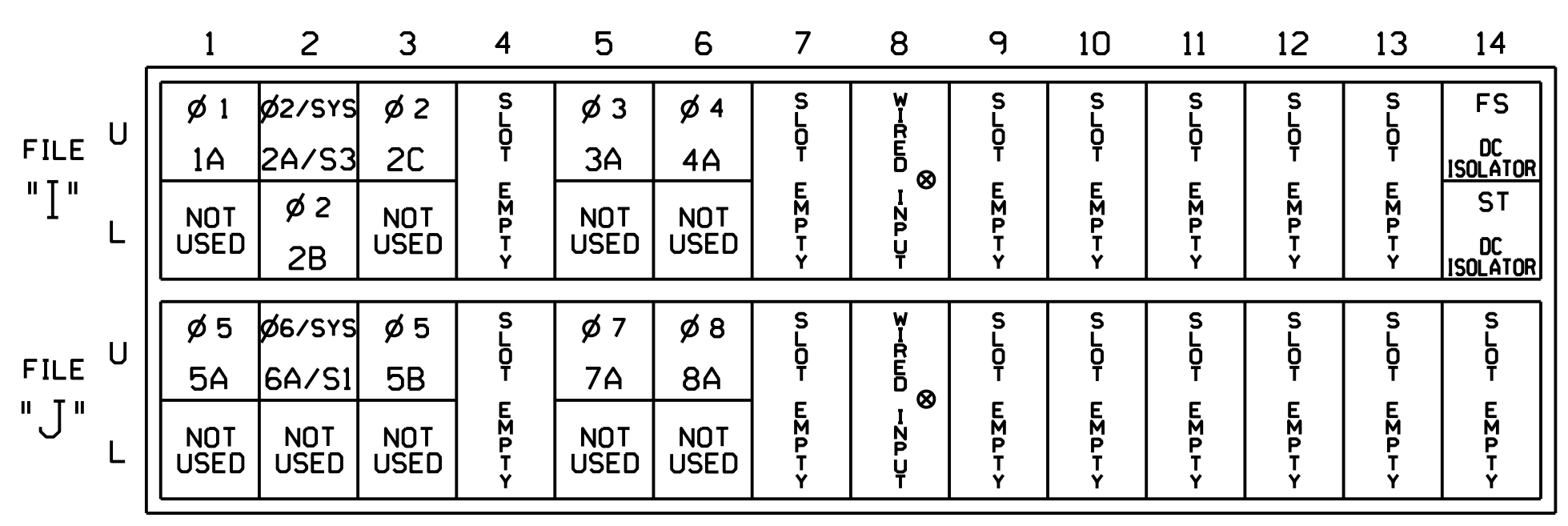
NU = Not Used

* Denotes install load resistor. See load resistor installation detail this sheet.

★ See pictorial of head wiring in detail this sheet.

INPUT FILE POSITION LAYOUT

(front view)



EX.: 1A, 2A, ETC. = LOOP NO.'S

FS = FLASH SENSE
ST = STOP TIME

⊗ Wired Input - Do not populate slot with detector card

INPUT FILE CONNECTION & PROGRAMMING CHART

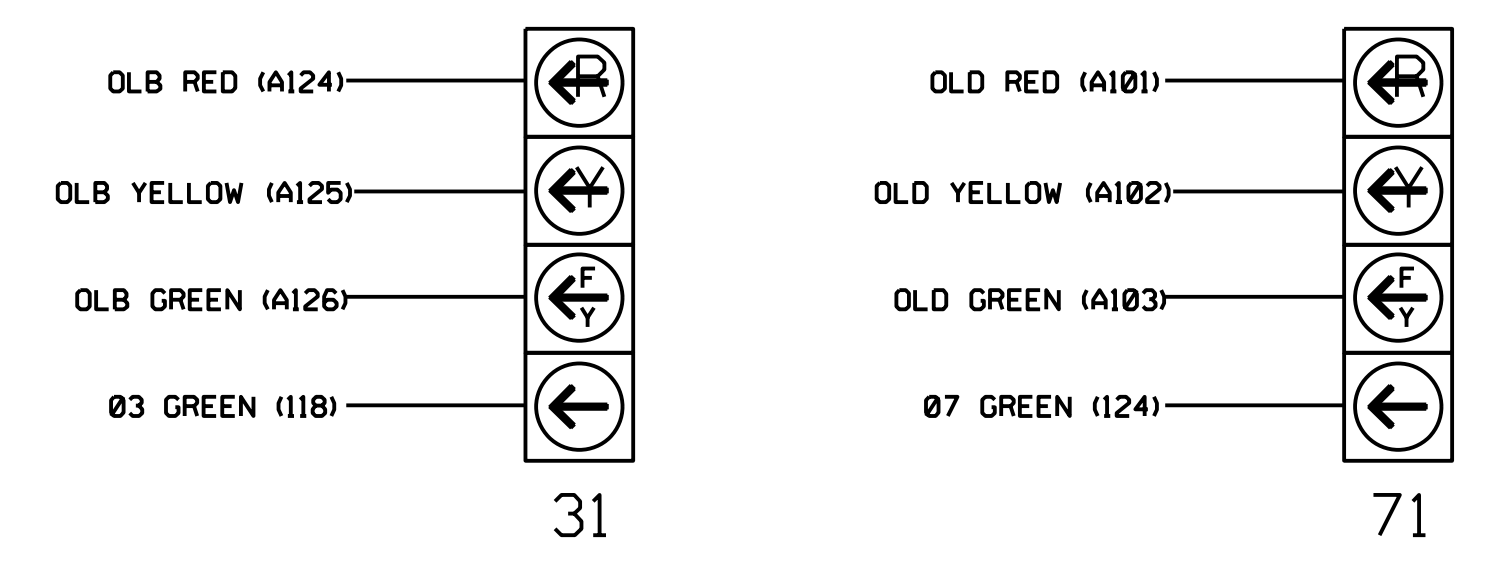
LOOP NO.	LOOP TERMINAL	INPUT FILE POS.	PIN NO.	INPUT ASSIGNMENT NO.	DETECTOR NO.	NEMA PHASE	CALL	EXTEND	FULL TIME DELAY	STRETCH TIME	DELAY TIME
1A	TB2-1,2	11U	56	18	1	1	Y	Y			
2A/S3	TB2-5,6	12U	39	1	2	2/SYS	Y	Y		2.8	
2B	TB2-7,8	12L	43	5	12	2	Y	Y			
2C	TB2-9,10	13U	63	25	32	2	Y	Y			
3A ¹	TB4-5,6	15U	58	20	3	3	Y	Y			15
		J8U	50	12	28	8	Y	Y			3
4A	TB4-9,10	16U	41	3	4	4	Y	Y			
5A	TB3-1,2	J1U	55	17	5	5	Y	Y			
5B	TB3-9,10	J3U	64	26	36	5	Y	Y			15
6A/S1	TB3-5,6	J2U	40	2	6	6/SYS	Y	Y			
7A ²	TB5-5,6	J5U	57	19	7	7	Y	Y			15
		18U	49	11	24	4	Y	Y			3
8A	TB5-9,10	J6U	42	4	8	8	Y	Y			10

¹Add jumper from 15-W to J8-W, on rear of input file.

²Add jumper from J5-W to 18-W, on rear of input file.

FYA SIGNAL WIRING DETAIL

(wire signal heads as shown)



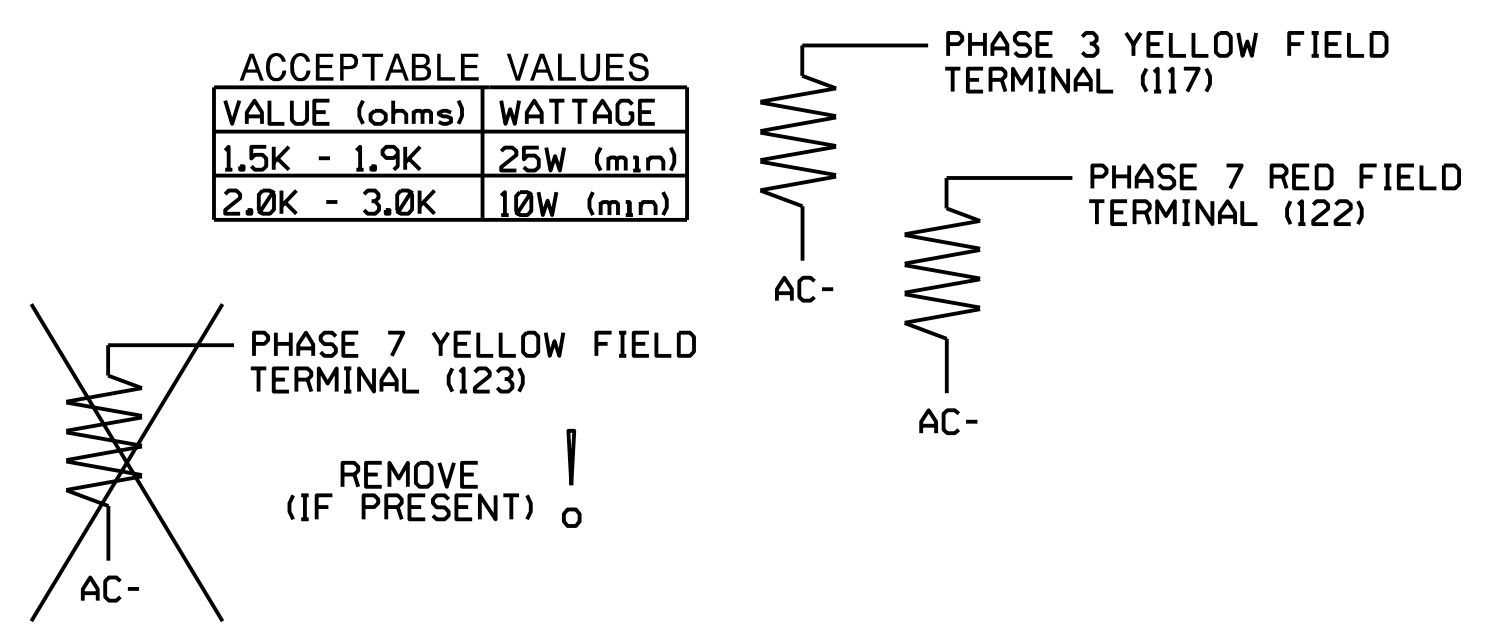
NOTE

- The sequence display for signal heads 31, and 71 requires special logic programming. See sheet 2 for programming instructions.

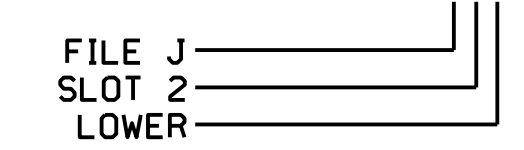
LOAD RESISTORS INSTALLATION DETAIL

(install resistors as shown below)

VALUE (ohms)	WATTAGE
1.5K - 1.9K	25W (min)
2.0K - 3.0K	10W (min)



INPUT FILE POSITION LEGEND: J2L



THIS ELECTRICAL DETAIL IS FOR THE SIGNAL DESIGN: 04-0111
 DESIGNED: July 2019
 SEALED: 3/17/2020
 REVISED: N/A

Final Design (TMP Phases III & IV)
Electrical Detail Sheet 1 of 2

DOCUMENT NOT CONSIDERED FINAL UNLESS ALL SIGNATURES COMPLETED

ELECTRICAL AND PROGRAMMING DETAILS FOR: Prepared for the Offices of: 	I-95 Ramps and NC 4 at NC 4 / NC 48		
	Division 4 PLAN DATE: July 2019 PREPARED BY: A. Ravipati	Nash County REVIEWED BY: J. O. Deaton REVIEWED BY: M. W. Valch	

AECOM
 NC Firm License No.: F-0342
 701 Corporate Center Drive
 Suite 475 Raleigh, NC 27607
 Phone: 919-854-6200